

MG Stainless Limited

stainless steel sanitaryware, washroom and catering equipment



Telephone: 0330 311 0070
email: mail@mgstainless.co.uk
www.mgstainless.co.uk

Policy Statement

The Company was founded in 1996 as Midtherm Stainless Limited and re-named MG Stainless Limited in October 2002. We offer a comprehensive range of sanitaryware, washroom and catering equipment, for projects requiring the durability and hygienic properties of stainless steel, manufactured and supplied by skilled and experienced personnel.

Our aim is to provide our customers with quality products and service, promptly, efficiently and competitively. Therefore, as a policy of continual improvement, we reserve the right to alter specifications without prior notice.

Contents

General information	Page 3
Urinals	4-8
Basins	9 -11
Vanity Tops and Units	12
Inset Bowls	13 - 14
WC Pans	15 - 16
Bucket Sinks / Utility Sinks	17
Janitorial Units	18
Washtroughs	19 - 20
Drinking Fountains	21 - 22
Hospital Equipment	23 - 26
Shower Trays	27
Mini Sinks	28
Standard Sinks	29 - 30
Tables / Wall Shelves	31
Cupboards	32

Non Standard Products

We are able to manufacture special items, where site conditions or specific requirements preclude the use of standard products or sizes. Please supply us with exact details and a drawing to avoid any mistakes.

Material Specification

All our standard products are manufactured from grade 304 or grade 430 stainless steel to European Standard EN 10088-2, which is suitable for general use in toilets, washrooms and kitchens, within a normal working environment.

If equipment is to be regularly used for any other purpose, or under abnormal atmospheric conditions, eg. swimming pool, marine, laboratory use etc. grade 316 stainless steel may be more suitable, as it offers greater resistance to corrosive attack from chlorinated water in high ambient humidity, salt and other chemicals.

All grades of stainless steel are affected by a few specific chemicals and acids, so please contact the sales office for advice, if you are unsure of its suitability.

Installation Advice

Stainless steel fixings should always be used, especially under wet or humid conditions.

If strong acid solutions used for cleaning tiles or masonry, come into contact with stainless steel, rinse off thoroughly with clean water and wipe dry. Hydrochloric or sulphuric acid will attack stainless steel.

Plain carbon steel nails, screws, paint tins, grinding swarf, wire wool etc., left on stainless steel will rust and discolour the surface, giving the impression that the stainless steel is rusting.

Upon completion of installation, remove any debris and clean thoroughly, as recommended in Care and Maintenance.

Automatic Cistern Advice

When installing an automatic cistern, you must ensure that the fixing height is between 1800 and 2000mm to the underside of the cistern, ensuring that the downpipe goes no further than 20mm into the siphon tail.

If the downpipe has been pushed too far into the siphon, it will result in the cistern continuously flushing or dribbling. To remedy this problem, you must either raise the cistern or shorten the downpipe.

An airlock in the siphon can cause the same problem. A quick fill by fully opening the petcock, usually works.

Care and Maintenance

Stainless steel should be cleaned with soap or mild detergent and water, using a sponge or cloth, then rinsed with clean water and wiped dry.

If stubborn marks or deposits are allowed to form, use a cream cleaner that is suitable for stainless steel and, if necessary, a nylon pad or brush.

Regular manual cleaning, once a week, should avoid any problems.

Warning

If the correct grade of stainless steel is used for its intended purpose, within the correct environment and cleaned correctly, it will not rust or stain and will maintain its original appearance for many years.

If it is not cleaned regularly, dirt and other deposits can build up and discolour the surface of stainless steel and will often resemble rust. However, stubborn marks and deposits can be removed. See Care and Maintenance.

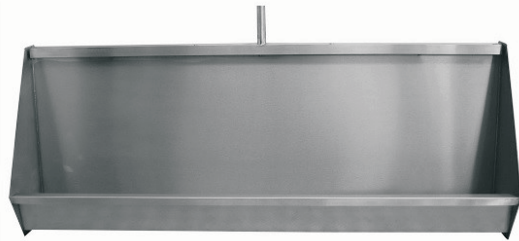
Only use cleaning solutions clearly recommended for use with stainless steel. If in doubt, do not use.

If any liquid containing bleach (sodium hypochlorite) is used on, or accidentally splashed on, stainless steel, a chemical reaction can occur. If it is not rinsed off with clean water and wiped dry, within a few minutes, this reaction causes pitting corrosion of the surface and subsequently rust, which is irreparable..

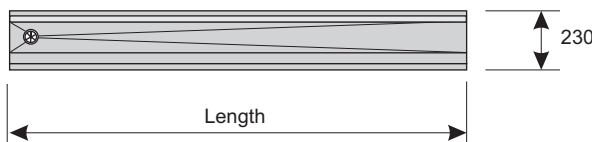
U01** - Wall Mounted Trough Urinal

Manufactured from 1.2mm thick grade 304, satin polished stainless steel, with polished end panels, top inlet vandal-resistant square spargepipe, **W1101** 38mm white plastic domed waste outlet (in a left, right or central position), **C060*** white plastic cistern, downpipe set and coupler.

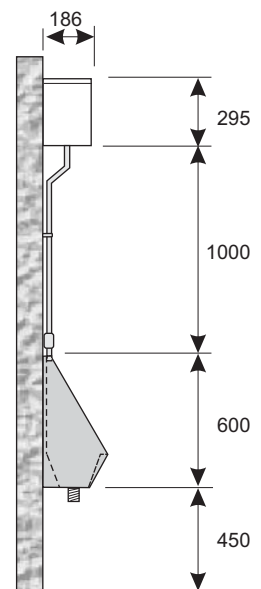
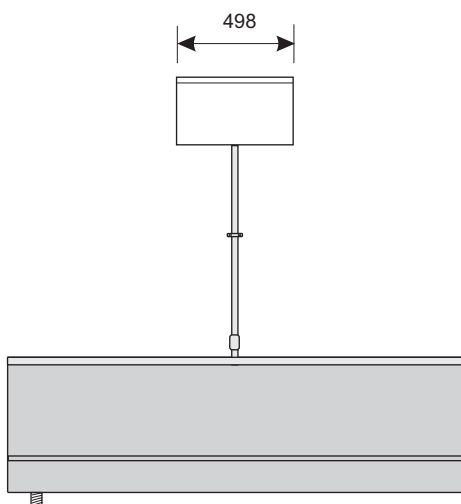
- Available in any length, up to 3000mm, allowing approximately 600mm per person.
- For lengths in excess of 3000mm or for corner installations, two or more separate urinals should be used, each with their own waste and cistern.
- An **E2522** elbow can be supplied in lieu of a coupler, to enable the cistern and downpipe to be concealed.



C060* - White plastic automatic cistern



W1101 - White plastic domed waste 38mm dia.



Options



C070* - Stainless steel automatic cistern



C080* - Vitreous china automatic cistern



W1102 - Grey plastic domed waste 50mm dia.

- J0795** - Joint cover trim
- C0797** - Corner piece
- T0000** - Trap shroud
- D0796** - Downpipe shroud



W1103 - Stainless steel domed brass waste 38mm dia.

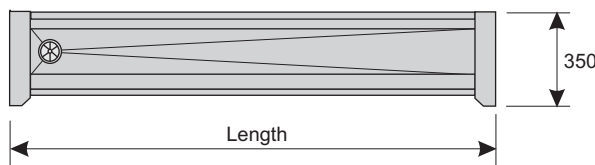
U03** - Floor Recessed Slab Urinal

Manufactured from 1.2mm thick grade 304, satin polished stainless steel, with polished end panels, top inlet vandal-resistant square spargepipe, **W1101** 38mm white plastic domed waste outlet (in a left, right or central position), **C060*** white plastic cistern, downpipe set and coupler. The kick-strip is fixed for sealing to the floor.

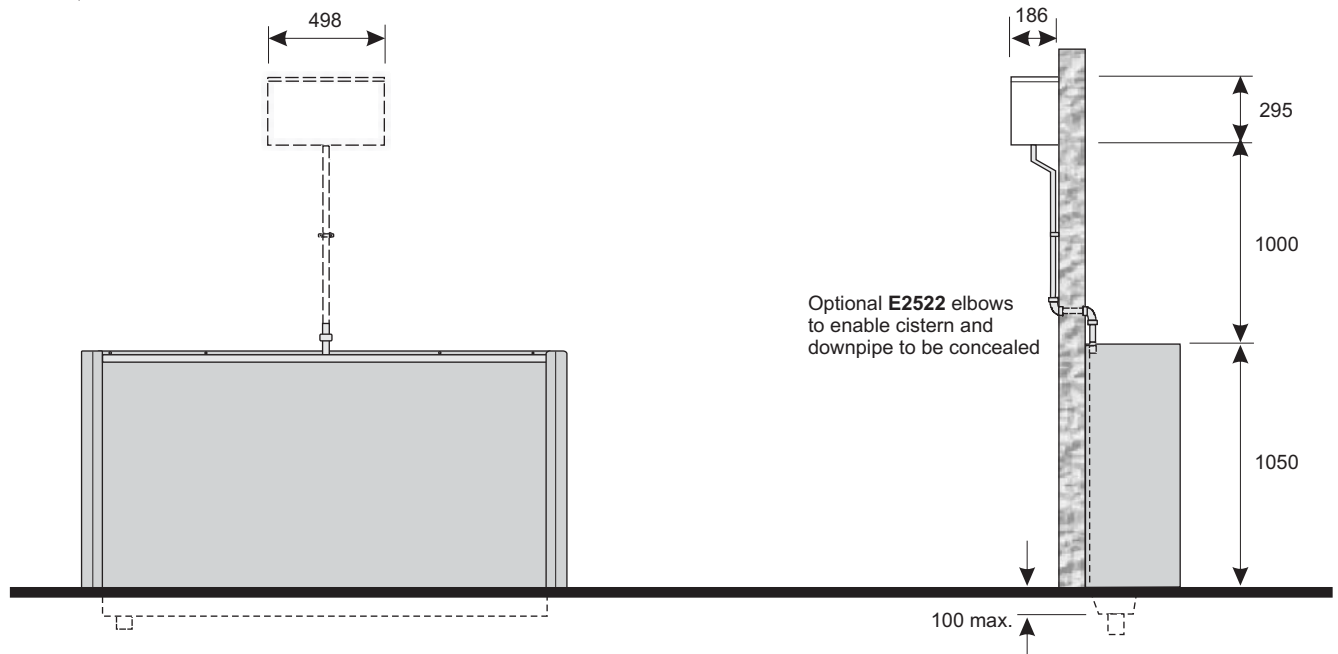
- Available in any length, up to 3000mm, allowing approximately 600mm per person.
- For lengths in excess of 3000mm or for corner installations, two or more separate urinals should be used, each with their own waste and cistern.
- An **E2522** elbow can be supplied in lieu of a coupler, to enable the cistern and downpipe to be concealed.



C060* - White plastic automatic cistern



W1101 - White plastic domed waste 38mm dia.



Options



C070* - Stainless steel automatic cistern



C080* - Vitreous china automatic cistern



W1102 - Grey plastic domed waste 50mm dia.



W1103 - Stainless steel domed brass waste 38mm dia.

J0795 - Joint cover trim

C0797 - Corner piece

D0796 - Downpipe shroud

U04** - Floor Standing Slab Urinal

Manufactured from 1.2mm thick grade 304, satin polished stainless steel, with polished end panels, top inlet vandal-resistant square spargepipe, **W1101** 38mm white plastic domed waste outlet (in a left, right or central position), **C060*** white plastic cistern, downpipe set and coupler. The kick-strip is fixed for sealing to the floor.

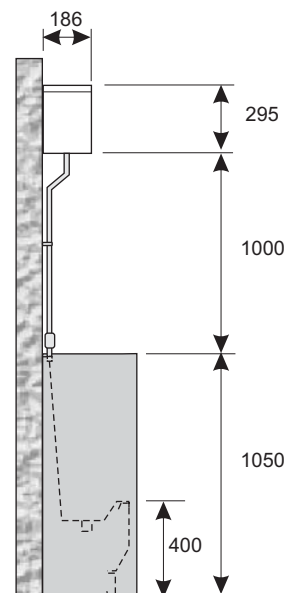
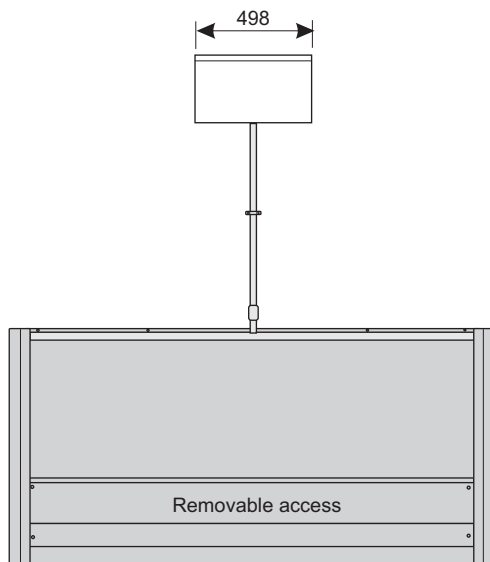
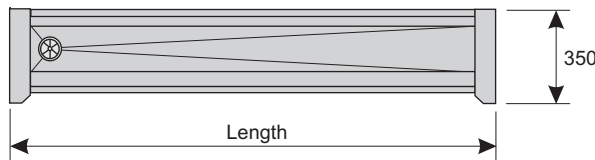
- Available in any length, up to 3000mm, allowing approximately 600mm per person.
- For lengths in excess of 3000mm or for corner installations, two or more separate urinals should be used, each with their own waste and cistern.
- An **E2522** elbow can be supplied in lieu of a coupler, to enable the cistern and downpipe to be concealed.



C060* - White plastic automatic cistern



W1101 - White plastic domed waste 38mm dia.



Options



C070* - Stainless steel automatic cistern



C080* - Vitreous china automatic cistern



W1102 - Grey plastic domed waste 50mm dia.



W1103 - Stainless steel domed brass waste 38mm dia.

- J0795** - Joint cover trim
- C0797** - Corner piece
- D0796** - Downpipe shroud

U05** - Floor Standing Trough Urinal

Manufactured from 1.2mm thick grade 304, satin polished stainless steel, with polished end panels, top inlet vandal-resistant square spargepipe, **W1101** 38mm white plastic domed waste outlet (in a left, right or central position), **C060*** white plastic cistern, downpipe set and coupler. The kick-strip is fixed for sealing to the floor.

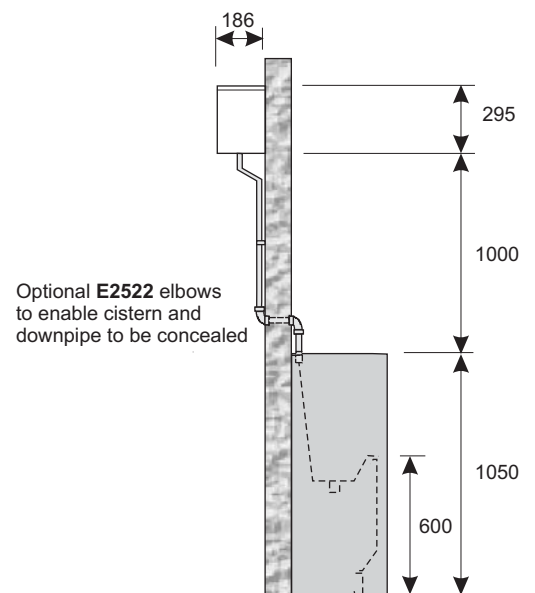
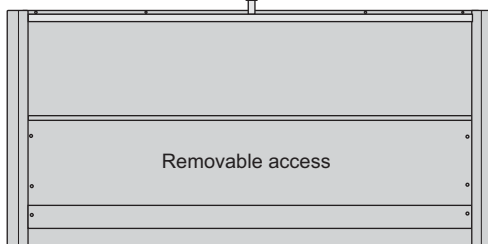
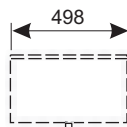
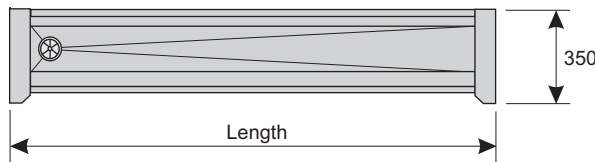
- Available in any length, up to 3000mm, allowing approximately 600mm per person.
- For lengths in excess of 3000mm or for corner installations, two or more separate urinals should be used, each with their own waste and cistern.
- An **E2522** elbow can be supplied in lieu of a coupler, to enable the cistern and downpipe to be concealed.



C060* - White plastic automatic cistern



W1101 - White plastic domed waste 38mm dia.



Options



C070* - Stainless steel automatic cistern



C080* - Vitreous china automatic cistern



W1102 - Grey plastic domed waste 50mm dia.



W1103 - Stainless steel domed brass waste 38mm dia.

- J0795** - Joint cover trim
- C0797** - Corner piece
- D0796** - Downpipe shroud

U06** - Bowl Urinal

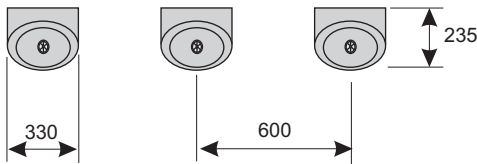
Manufactured from 1.2mm thick grade 304, bright polished stainless steel, with top inlet spreader, **W1101** 32mm white plastic domed waste outlet, **C060*** white plastic cistern and all necessary pipework and fittings. - **E2522** elbows can be supplied in lieu of a couplers, to enable the cistern and pipework to be concealed.



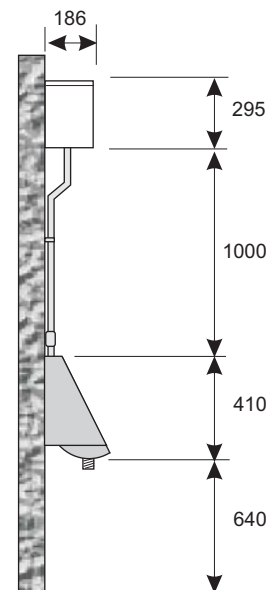
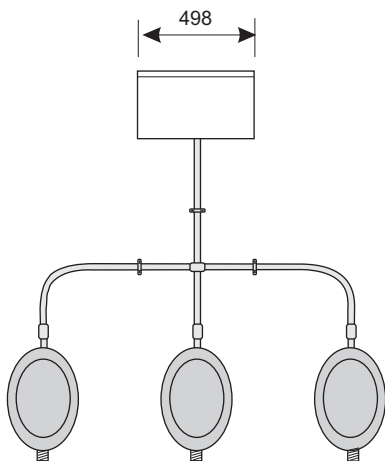
- U0601** - Range of one
- U0602** - Range of two
- U0603** - Range of three
- U0604** - Range of four



C060* - White plastic automatic cistern



W1101 - White plastic domed waste 32mm dia.



Options



C070* - Stainless steel automatic cistern



W1103 - Stainless steel domed brass waste 32mm dia.

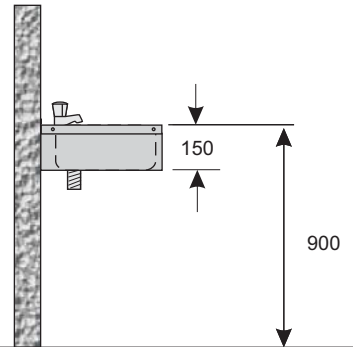
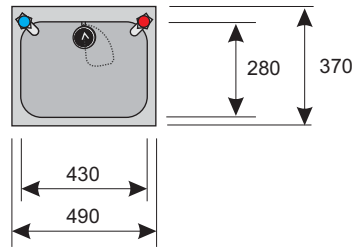


C080* - Vitreous china automatic cistern

M0799 - Modesty division
T0000 - Trap shroud

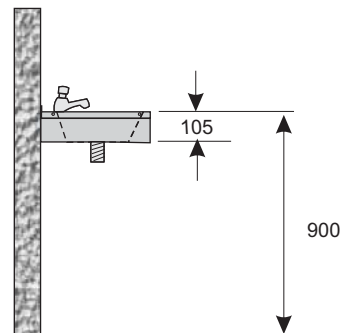
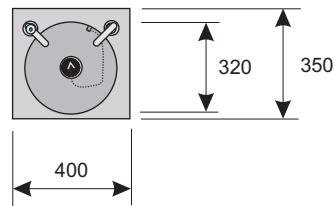
B1201 - Standard Basin

Manufactured from 1mm thick grade 304, satin polished stainless steel, supplied with valance bracket, two tapholes and 32mm combined waste and overflow assembly.



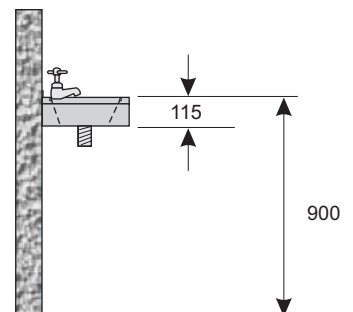
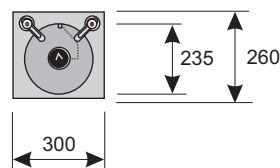
B1202 - Small Basin

Manufactured from 1mm thick grade 304, satin polished stainless steel, supplied with valance bracket, two tapholes and 32mm combined waste and overflow assembly.



B1203 - Mini Basin

Manufactured from 1mm thick grade 304, bright polished stainless steel, supplied with valance bracket, two tapholes and 32mm waste, plug and chain.



Options

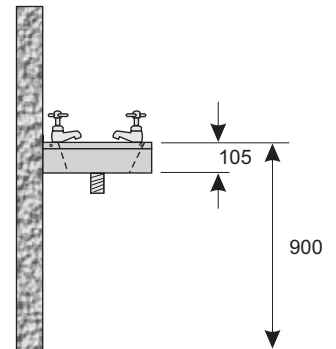
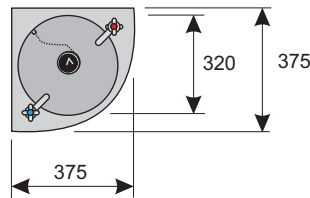
U1399 - Undershield (400mm deep)

U1398 - Undershield to floor

L1799 - Pair of stainless steel leg supports

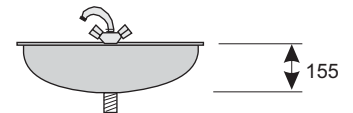
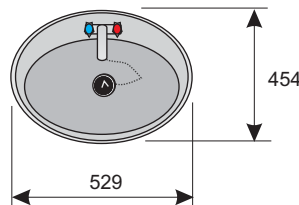
B1204 - Corner Basin

Manufactured from 1mm thick grade 304, satin polished stainless steel, supplied with valance bracket, two tapholes and 32mm combined waste and overflow assembly.



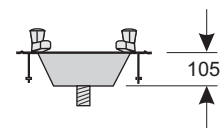
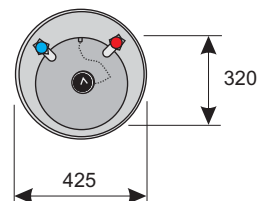
B1205 - Oval Inset Basin

Manufactured from 1mm thick grade 304, mirror polished stainless steel, supplied with monobloc taphole and 32mm combined waste and overflow assembly.



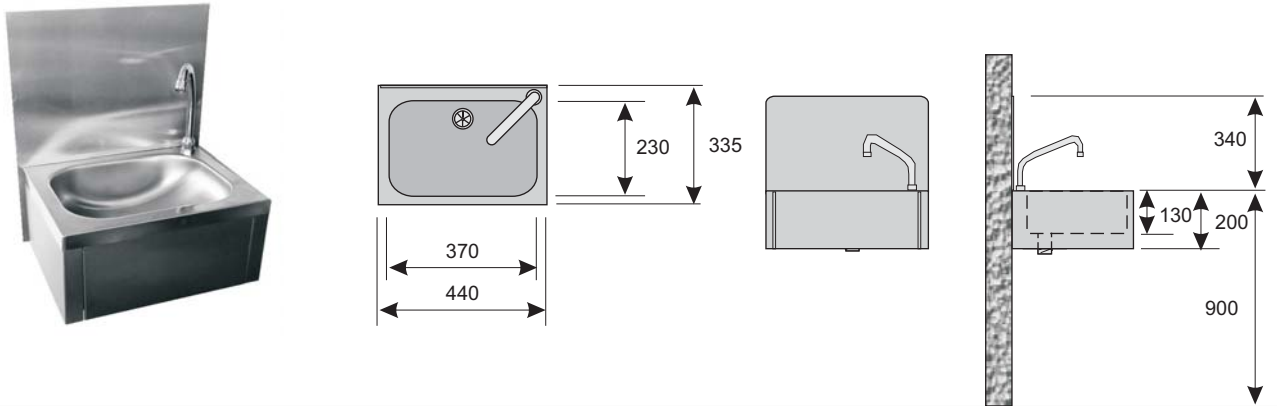
B1206 - Circular Inset Basin

Manufactured from 1mm thick grade 304, satin polished stainless steel, supplied with 60mm long stud bolts, two tapholes and 32mm combined waste and overflow assembly.



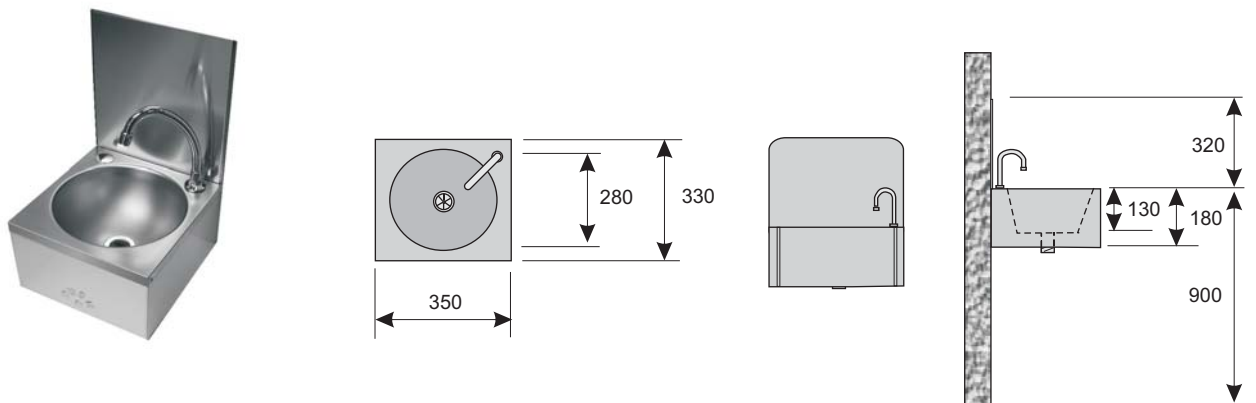
B1208 - Small Knee-operated Basin

Manufactured from 1mm thick grade 304, satin polished stainless steel, knee operated by pushing front panel (15 second temporised water flow), with swan neck spout, mixer valve, splashback and 32mm waste.



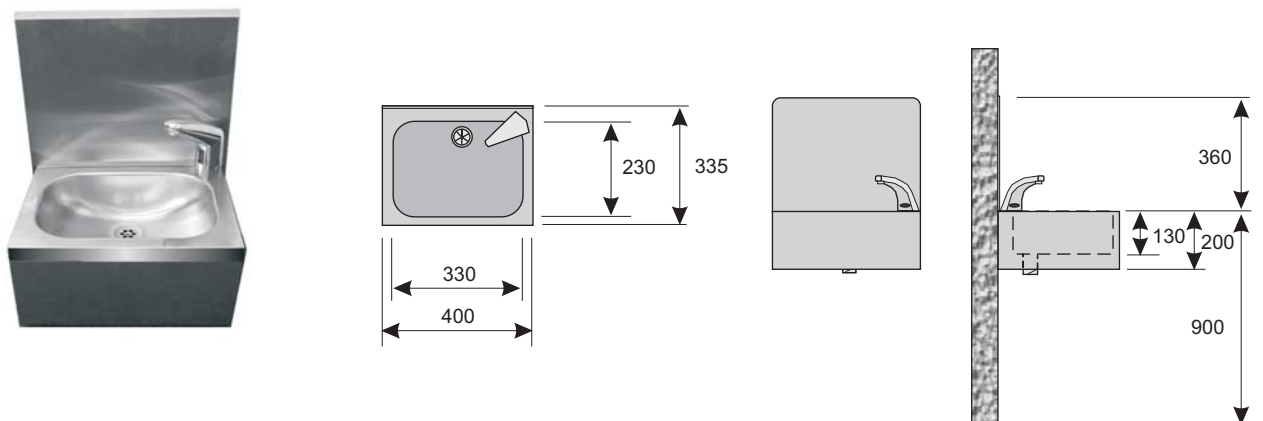
B1209 - Mini Knee-operated Basin

Manufactured from 1mm thick grade 304, satin polished stainless steel, knee operated by pushing front panel (15 second temporised water flow), with swan neck spout, mixer valve, splashback and 32mm waste.



B1210 - Electronic Non-touch Basin

Manufactured from 1mm thick grade 304, satin polished stainless steel, non-touch, battery operated electronic tap (15 second temporised water flow), mixer valve, splashback and 32mm waste.



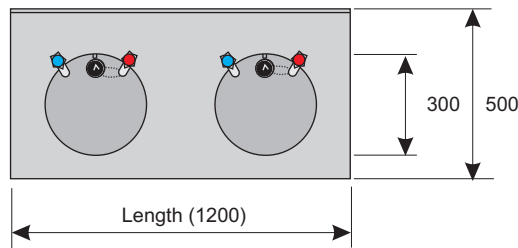
Manufactured from 1.2mm thick grade 304, satin polished stainless steel with 300mm diameter bowls, supplied with **W1130** 32mm waste and plug (no overflow) or **W1132** 32mm waste, plug and overflow assembly, tapholes as required. Units are supplied with 30mm square tubular, grade 430 stainless steel stand and adjustable feet.

- Available in any length, up to 2875mm, allowing approximately 600mm per person.
- Tapholes as required.



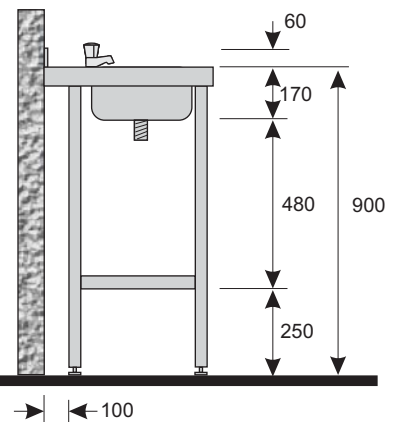
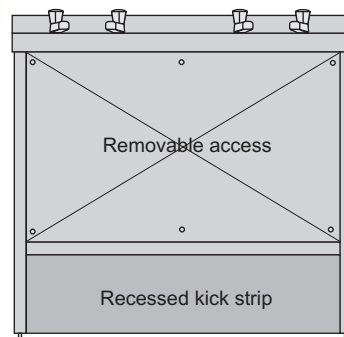
Vanity Tops

- V1291T** - with one bowl (600mm wide)
- V1292T** - with two bowls (1200mm wide)
- V1293T** - with three bowls (1800mm wide)
- V1294T** - with four bowls (2400mm wide)



Vanity Units

- V1291** - with one bowl (600mm wide)
- V1292** - with two bowls (1200mm wide)
- V1293** - with three bowls (1800mm wide)
- V1294** - with four bowls (2400mm wide)



Options



W1130 - CP plastic waste & plug 32mm dia.



W1132 - CP plastic waste, plug & overflow assembly 32mm dia.

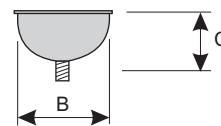
L1799 - Pair of stainless steel leg supports

Vanity Bowls

Manufactured from 1mm thick grade 304, mirror polished stainless steel, supplied with **W1130** 32mm waste and plug. They can be fitted into a worktop, or undermounted, with a strong adhesive such as 'gripfil' or silicone.

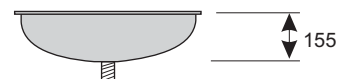
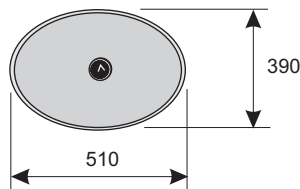


	A	B	C
V1023	230	200	115
V1029	290	260	130
V1033	330	300	140
V1039	390	360	150
V1041	410	380	155
V1046	460	420	160



V1051 - Oval Inset Vanity Bowl

Manufactured from 1mm thick grade 304, mirror polished stainless steel, supplied with **W1130** 32mm waste and plug. They can be fitted into a worktop, or undermounted, with a strong adhesive such as 'gripfil' or silicone.

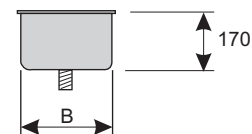


Circular Inset Bowls

Manufactured from 1mm thick grade 304, bright polished stainless steel, supplied with **W1132** 38mm combined waste and overflow assembly or **W1130** 38mm waste and plug (no overflow). They can be fitted into a worktop, or undermounted, with a strong adhesive such as 'gripfil' or silicone.

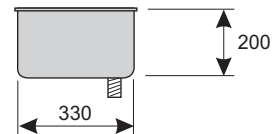
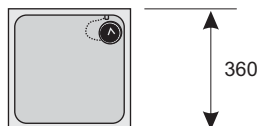


	A	B
B1229	290	260
B1233	330	300
B1239	390	360
B1241	410	380
B1246	460	420



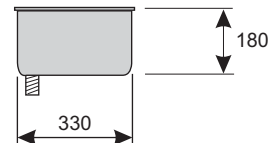
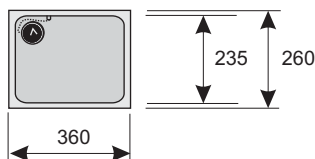
B1222 - Square Inset Bowl

Manufactured from 1mm thick grade 304, bright polished stainless steel, supplied with **W1132** 38mm combined waste and overflow assembly or **W1130** 38mm waste and plug (no overflow). They can be fitted into a worktop, or undermounted, with a strong adhesive such as 'gripfil' or silicone.



B1224 - Rectangular Inset Bowl

Manufactured from 1mm thick grade 304, bright polished stainless steel, supplied with **W1132** 38mm combined waste and overflow assembly or **W1130** 38mm waste and plug (no overflow). They can be fitted into a worktop, or undermounted, with a strong adhesive such as 'gripfil' or silicone.

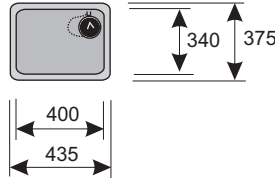


Inset Sink Bowls

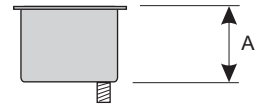
Manufactured from 1.2mm thick grade 304, satin polished stainless steel with a flat flange which can be fixed into a worktop, or undermounted, with a strong adhesive such as 'gripfil' or silicone. They are supplied with a **W1130** 38mm waste and plug (no overflow) or **W1132** 38mm waste, plug and overflow assembly.



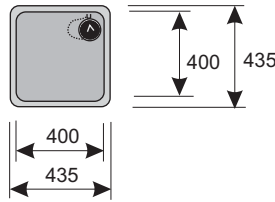
W1130 - CP plastic waste & plug 38mm dia.



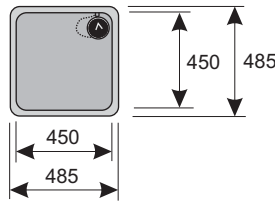
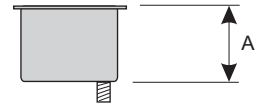
	A
B403420	200
B403425	250
B403430	300



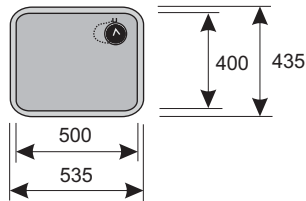
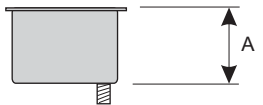
W1132 - CP plastic waste, plug & overflow assembly 38mm dia.



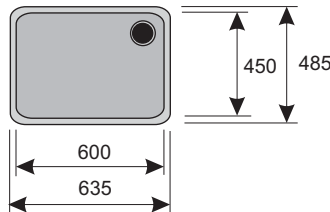
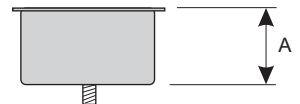
	A
B404020	200
B404025	250
B404030	300



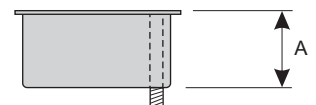
	A
B454520	200
B454525	250
B454530	300



	A
B504020	200
B504025	250
B504030	300



	A
B604525	250
B604530	300



Options

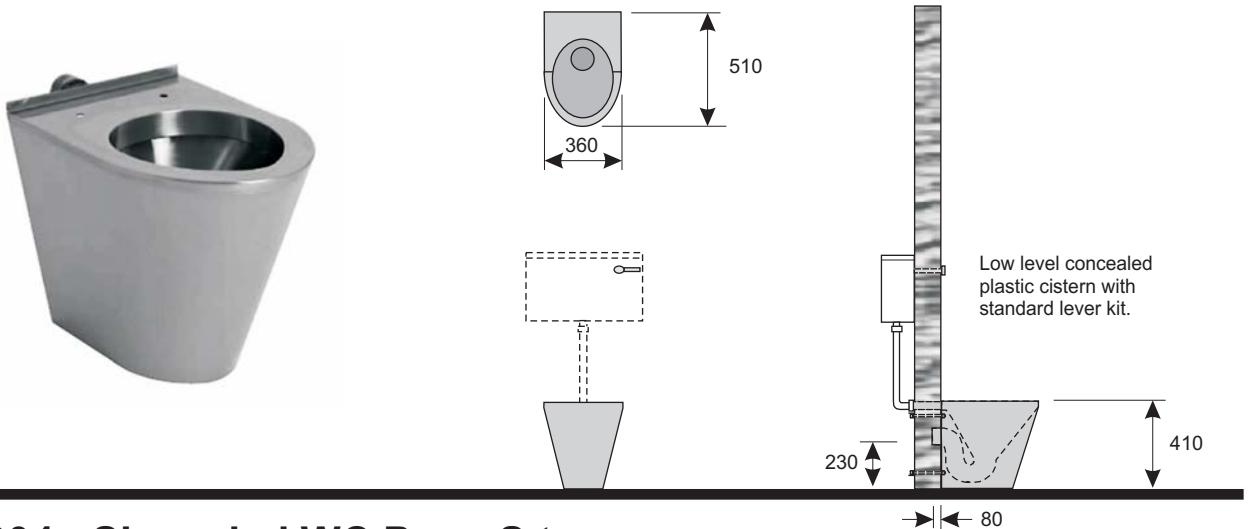
- W1140** - Standpipe strainer waste 200mm deep 38mm dia.
- W1141** - Standpipe strainer waste 250mm deep 38mm dia.
- W1142** - Standpipe strainer waste 300mm deep 38mm dia.



W1003 - Shrouded WC Pan - P trap

Manufactured from 1.6 and 2mm thick grade 304, satin polished stainless steel, with 100mm diameter horizontal soil outlet, 38mm diameter flushpipe connection and complete with back bars and fixing rods.

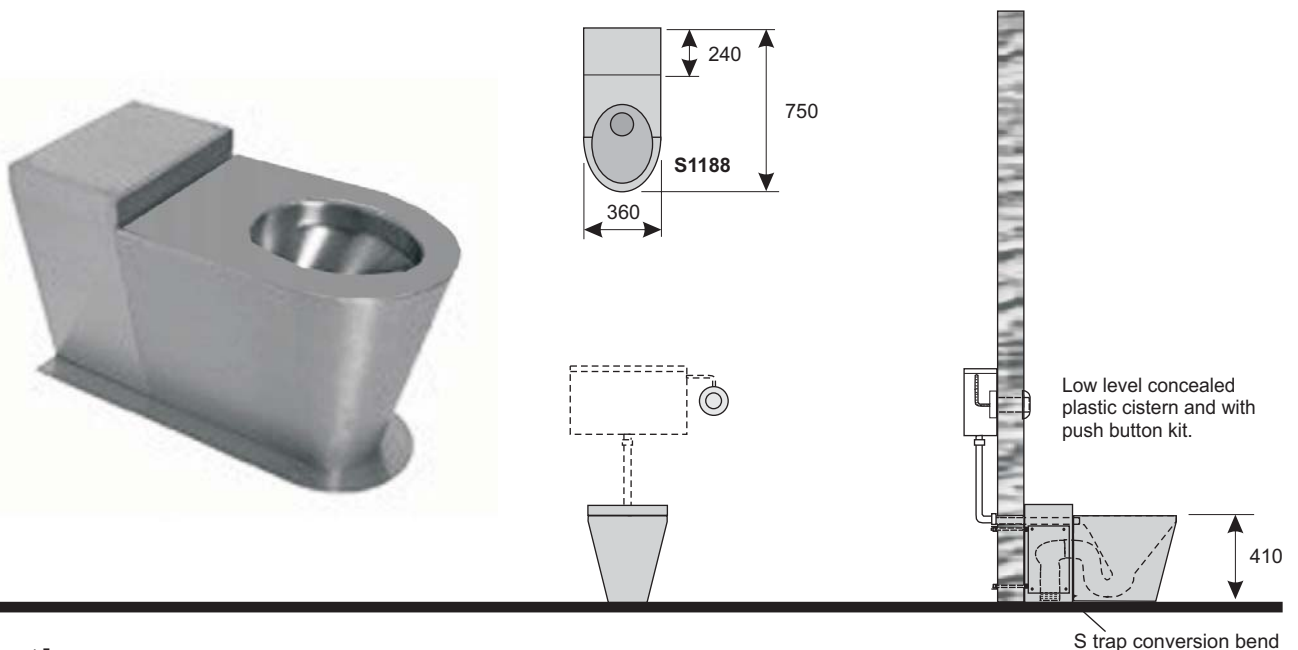
- Holes can be drilled to suit a standard toilet seat.
- **S1188** black polypropylene seat pads can be fitted, at an extra cost.



W1004 - Shrouded WC Pan - S trap

Manufactured from 1.6 and 2mm thick grade 304, satin polished stainless steel, with 100mm diameter horizontal soil outlet, 38mm diameter flushpipe connection, rear extension box (to allow an S trap conversion bend to be used) and a floor fixing base plate.

- Holes can be drilled to suit a standard toilet seat.
- **S1188** black polypropylene seat pads can be supplied fitted, at an extra cost.



Options



W1099 - Black plastic seat and cover
c/w stainless steel seat hinges

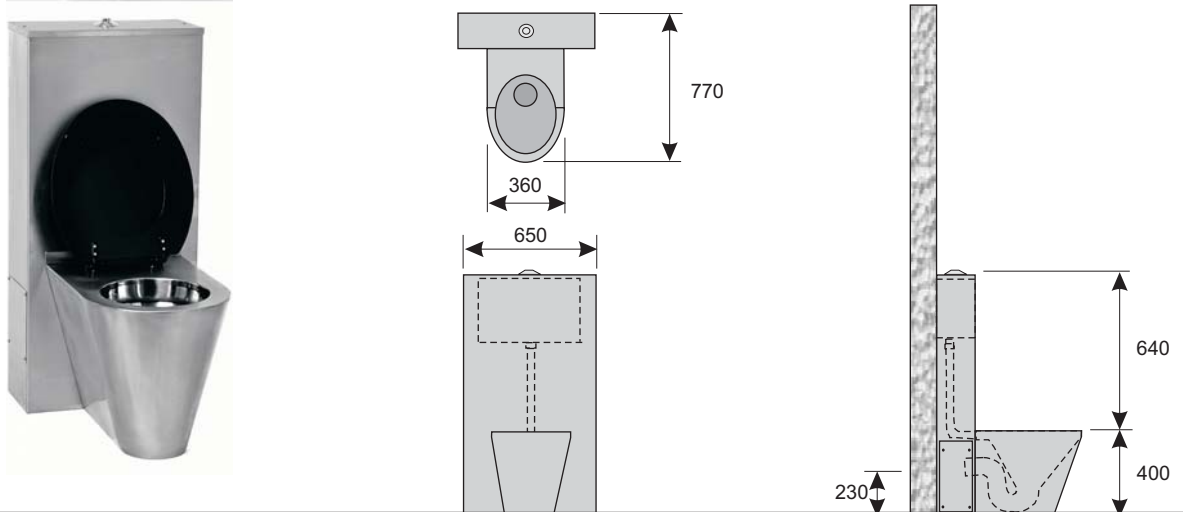


S1188 - Black polypropylene seat pads

W1010 - Rear Panelled WC Suite - P trap

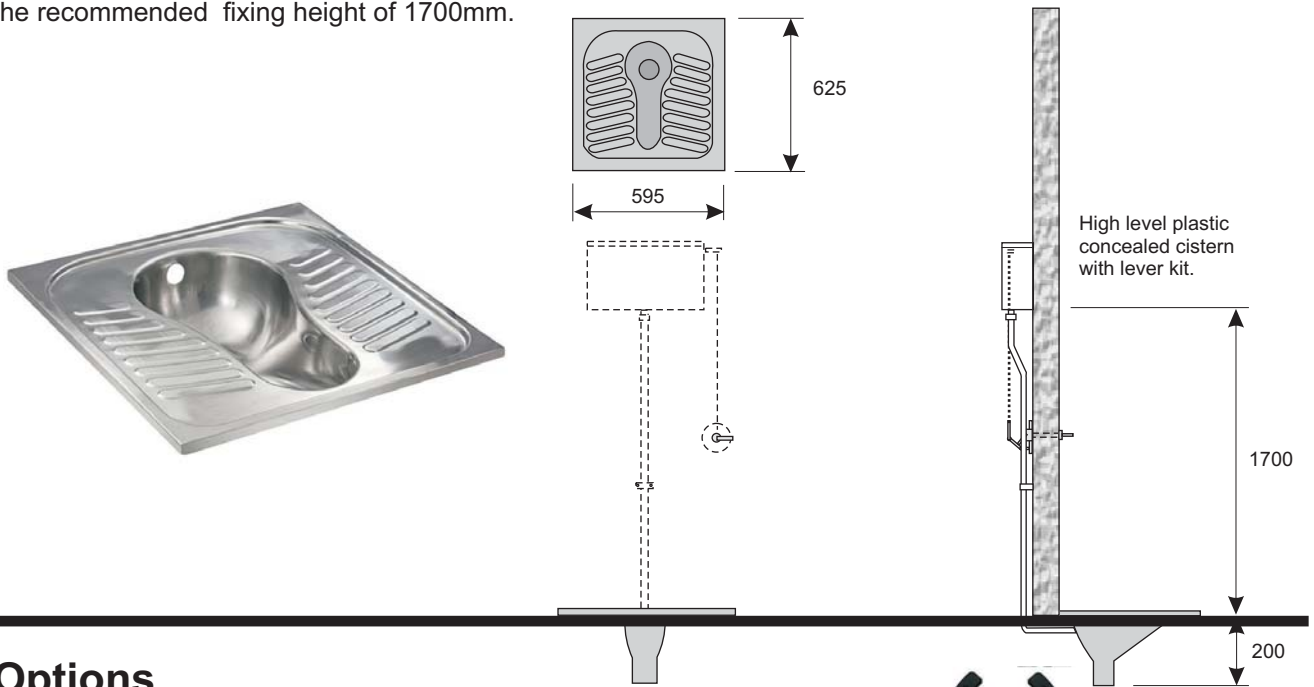
The pan is manufactured from 1.6 and 2mm thick grade 304, satin polished stainless steel, with security flushing rim and 100mm diameter plastic pan connector (or an S trap plastic conversion bend can be supplied on request) The rear panel is manufactured from 1.2mm thick, satin polished stainless steel and includes a 7.5 litre dual flush cistern and has removable access panels for fixing and making the plumbing connections.

- Holes can be drilled to suit a standard toilet seat.
- **S1188** black polypropylene seat pads can be supplied fitted, at an extra cost.



W1011 - Squatting WC Pan

Manufactured from 1.6mm thick grade 304, satin polished stainless steel, with 38mm back inlet flushing spreader, 100mm diameter spigot outlet and perforated fixing strips. A high level cistern must be used, at the recommended fixing height of 1700mm.



Options



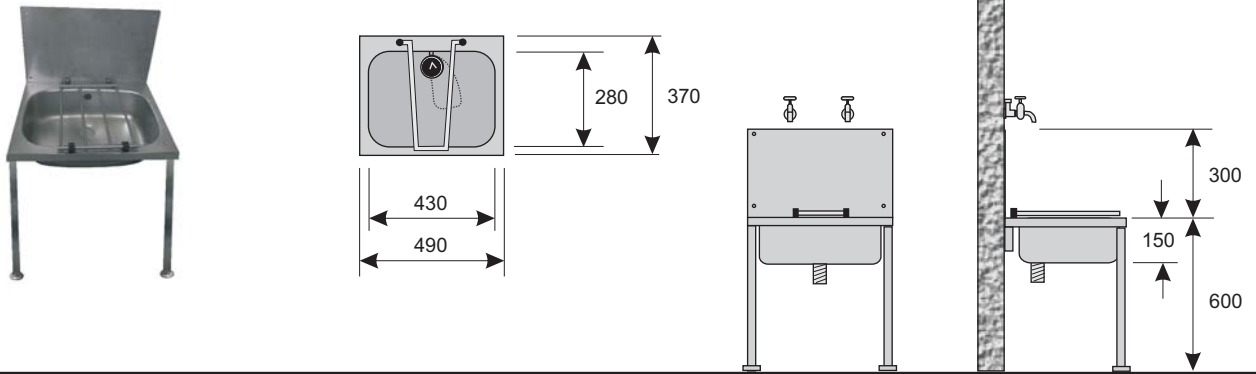
W1099 - Black plastic seat and cover
c/w stainless steel seat hinges



S1188 - Black polypropylene seat pads

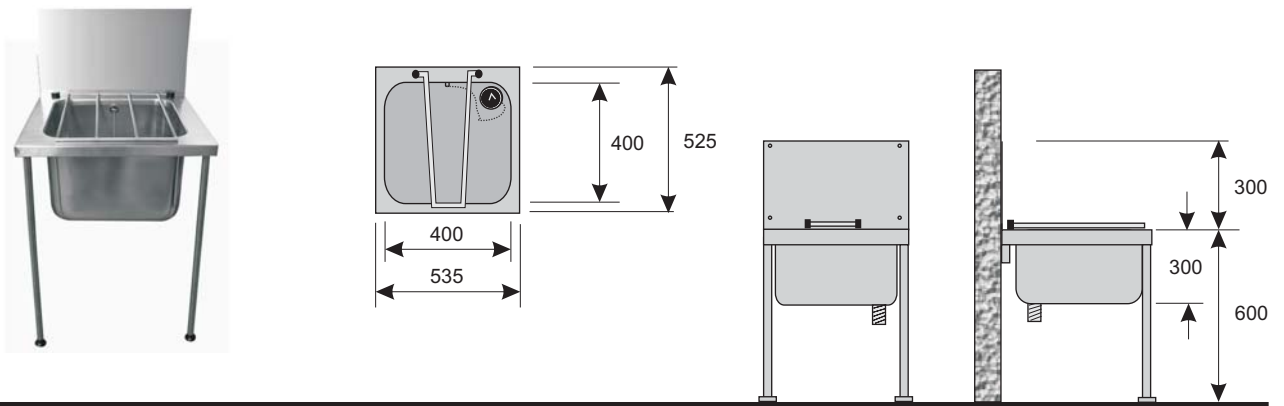
B1801 Standard Bucket Sink

Manufactured from 1mm thick grade 304, satin polished stainless steel, supplied with brackets, legs, loose splashback, hinged bucket grating and **W1132** 32mm combined waste and overflow assembly.



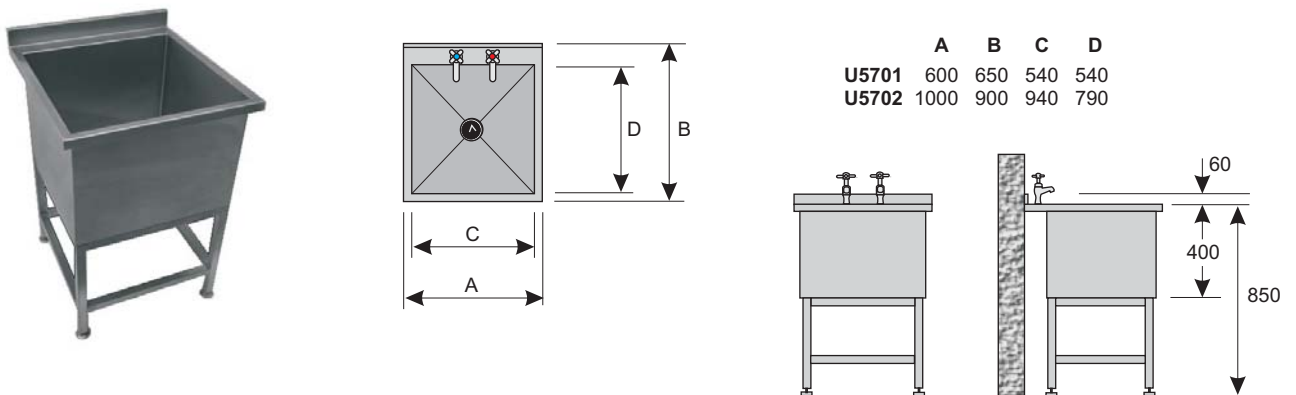
B1802 Large Bucket Sink

Manufactured from 1mm thick grade 304, satin polished stainless steel, supplied with brackets, legs, splashback, hinged bucket grating and **W1132** 38mm combined waste and overflow assembly.



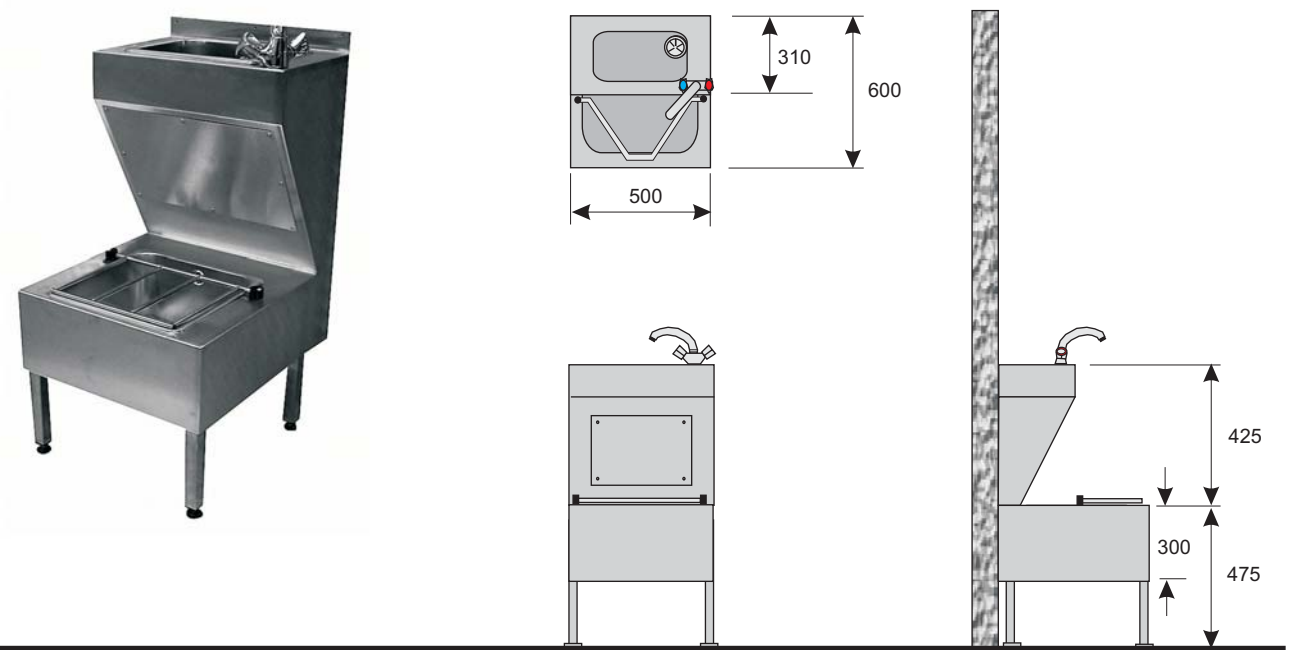
Utility Sinks

Manufactured from 1.2mm thick grade 304, satin polished stainless steel, supplied with 30mm square tubular grade 430 stainless steel stand and **W1130** 38mm waste and plug.
 - Tapholes as required.



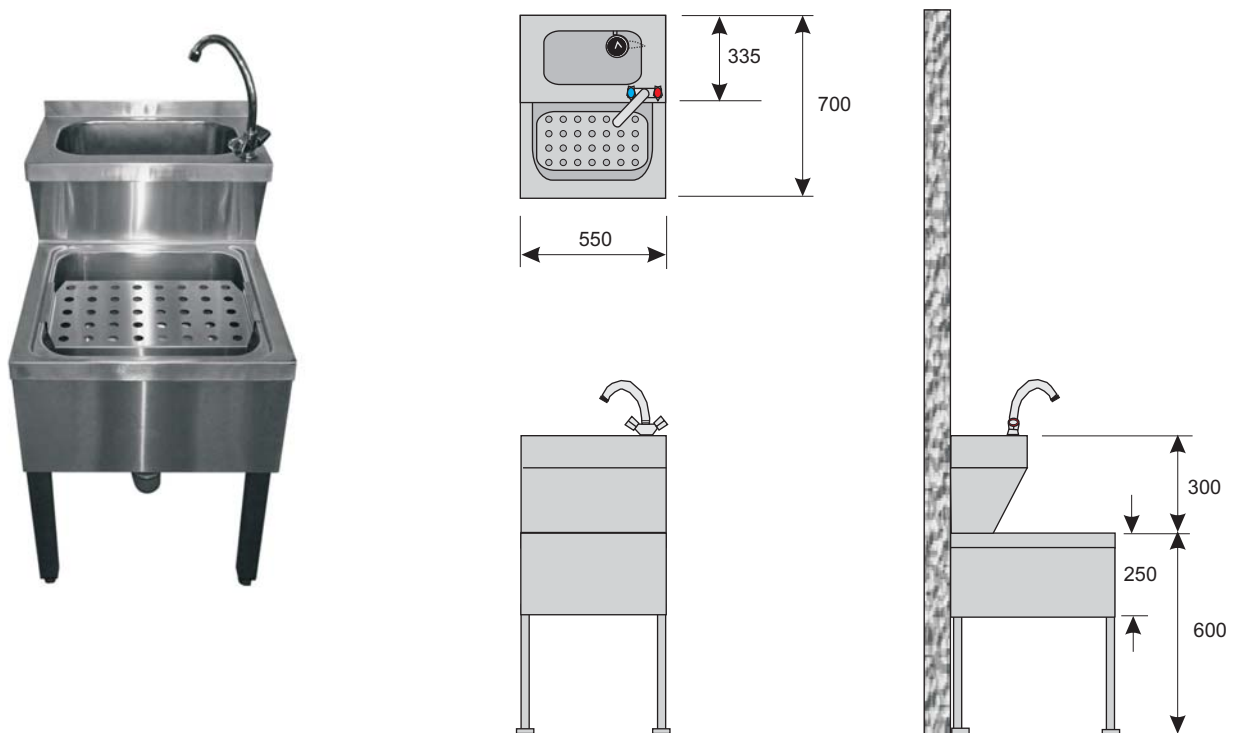
J0000 - Janitorial Unit 500x600

Manufactured in accordance with HTM64, from 1mm thick grade 304, satin polished stainless steel, supplied with legs, hinged bucket grating, wastes (no overflows) and quarter-turn monobloc sink mixer.



J0001 - Janitorial Unit 550x700

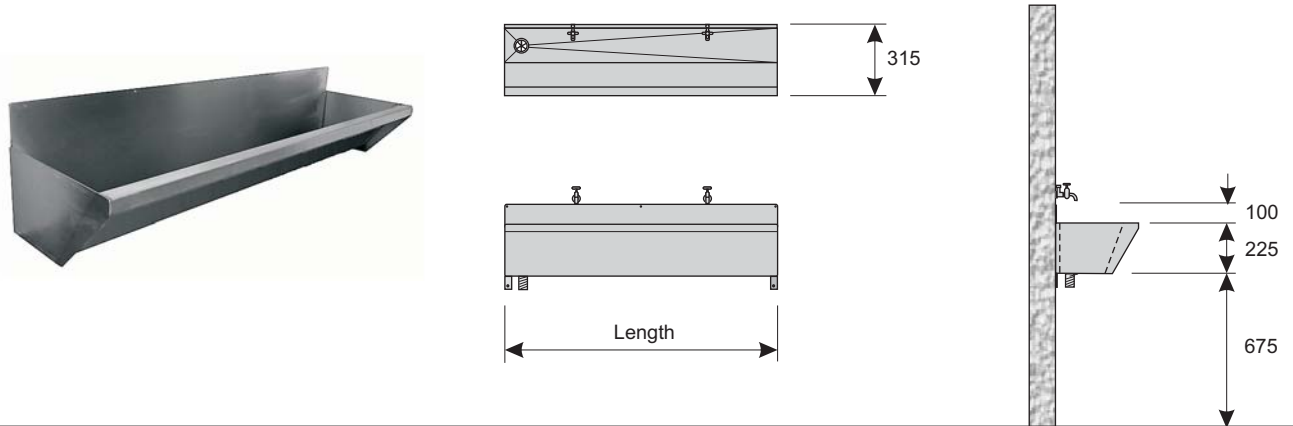
Manufactured from 1mm thick grade 304, satin polished stainless steel, supplied with legs, lift-out bucket grid, wastes and monobloc sink mixer.



W13** - Contract Washtrough

Manufactured from 1.2mm thick grade 304, satin polished stainless steel, supplied with brackets and **W1122** 38mm plastic grated waste (in a left, right or central position).

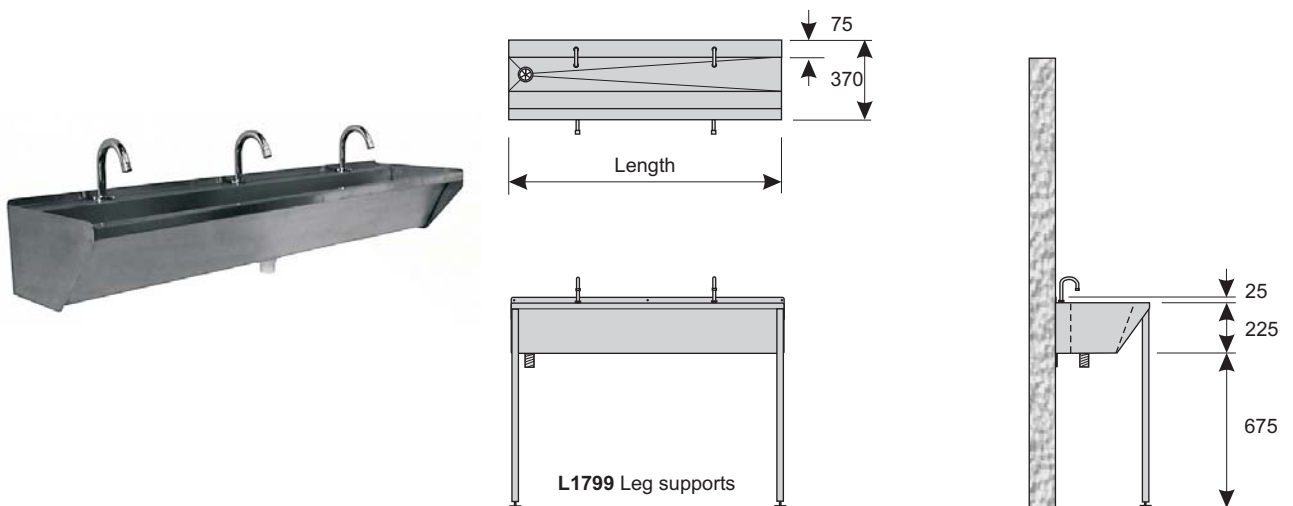
- Available in any length, up to 3000mm, allowing approximately 600mm per person.
- Undershielding down to the floor, with access panels, can be supplied, at an extra cost.



W14** - Taplanding Washtrough

Manufactured from 1.2mm thick grade 304, satin polished stainless steel, supplied with brackets and **W1122** 38mm plastic grated waste (in a left, right or central position).

- Available in any length, up to 3000mm, allowing approximately 600mm per person.
- Undershielding down to the floor, with access panels, can be supplied, at an extra cost.
- Tapholes as required.



Options



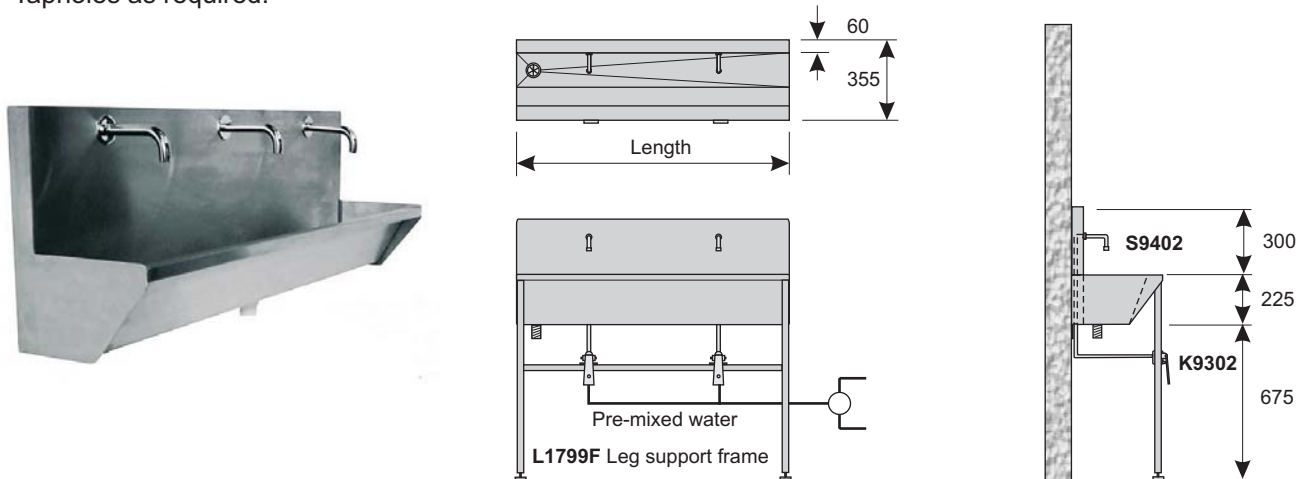
- S17**** - Loose splashback 300mm high
- L1799** - Stainless steel leg supports
- L1799F** - Stainless steel leg support frame for K9302 knee operated valves



W15** - Splashback Washtrough

Manufactured from 1.2mm thick grade 304, satin polished stainless steel, supplied with brackets and **W1122** 38mm plastic grated waste (in a left, right or central position).

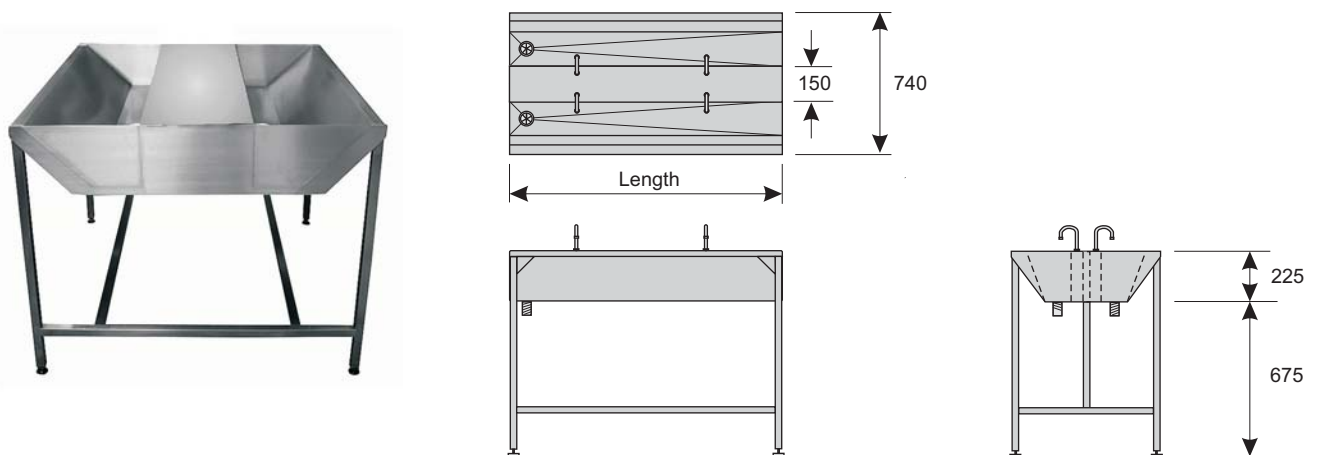
- Available in any length, up to 3000mm, allowing approximately 600mm per person.
- Undershielding down to the floor, with access panels, can be supplied, at an extra cost.
- Tapholes as required.



W16** - Island Washtrough

Manufactured from 1.2mm thick grade 304, satin polished stainless steel, supplied with 30mm square tubular stainless steel stand and **W1122** 38mm plastic grated waste (in a left, right or central position).

- Available in any length, up to 3000mm, allowing approximately 600mm per person.
- Undershielding down to the floor, with access panels, can be supplied, at an extra cost.
- Tapholes as required.



Options



S9402 - Bib spout



W1122 - Plastic flush grated waste 38mm dia.



K9302 - Frame-mounted knee operated valve

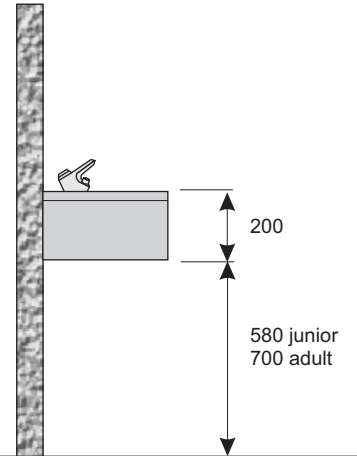
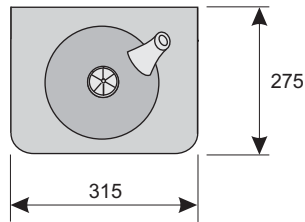
- S17**** - Loose splashback 300mm high
- L1799** - Stainless steel leg supports
- L1799F** - Stainless steel leg support frame for K9302 knee operated valves



S9401 - Swan neck spout

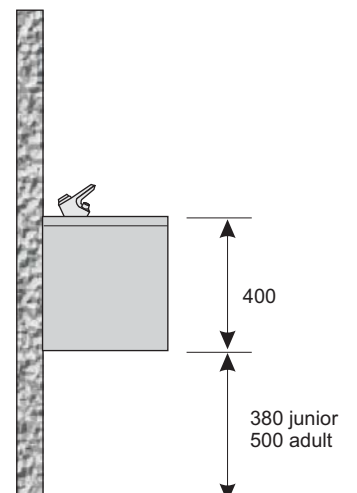
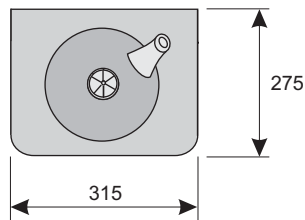
D2001 - Standard Drinking Fountain

Manufactured from 1.2mm thick grade 304, satin polished stainless steel, supplied with 32mm flush grated waste, **D1091** bubbler and/or **D1090** cup-filler.



D2002 - Shrouded Drinking Fountain

Manufactured from 1.2mm thick grade 304, satin polished stainless steel, supplied with 32mm flush grated waste, **D1091** bubbler and/or **D1090** cup-filler.



Options



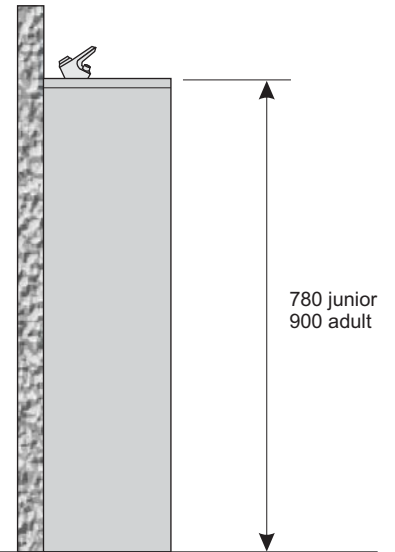
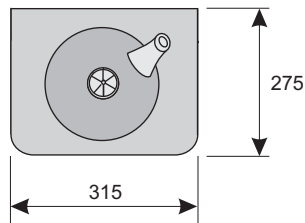
D1091 - CP brass bubbler with push-button

D1090 - CP brass cup filler with push-button

D2004 - Floor-standing Drinking Fountain

Manufactured from 1.2mm thick grade 304, satin polished stainless steel, supplied with 32mm flush grated waste, **D1091** bubbler and/or **D1090** cup-filler.

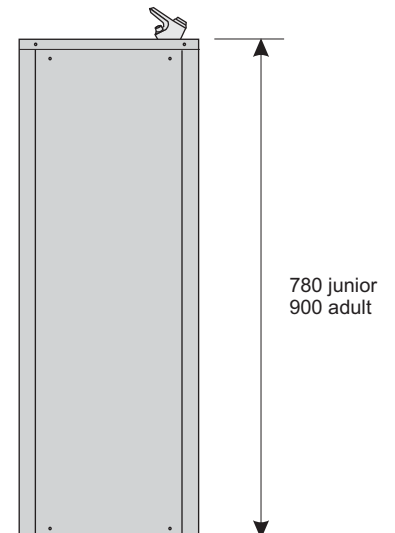
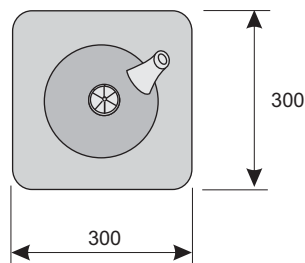
- Available in two heights, **D2004J** 780mm for juniors and **D2004A** 900mm for adults.



D2005 - Pedestal Drinking Fountain

Manufactured from 1.2mm thick grade 304, satin polished stainless steel, supplied with 32mm flush grated waste, **D1091** bubbler and/or **D1090** cup-filler.

- Available in two heights, **D2004J** 780mm for juniors and **D2004A** 900mm for adults.



Options



D1091 - CP brass bubbler with push-button

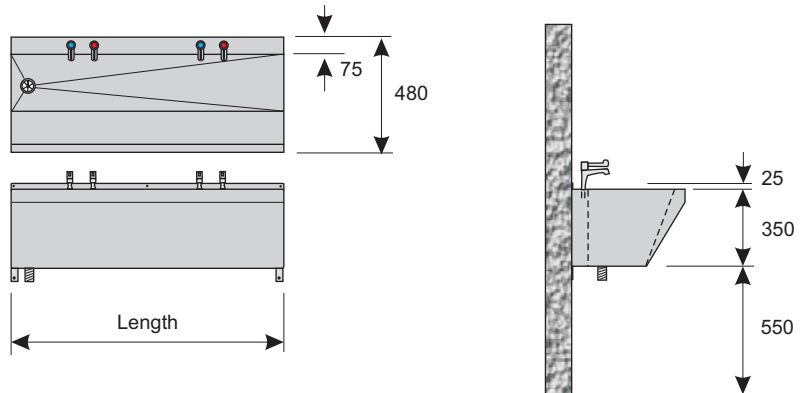


D1090 - CP brass cup filler with push-button

H37** - Taplanding Scrub-up Trough

Manufactured in accordance with HTM64, from 1.2mm thick grade 304, satin polished stainless steel, supplied with brackets and **W1122** 38mm plastic grated waste (in a left, right or central position).

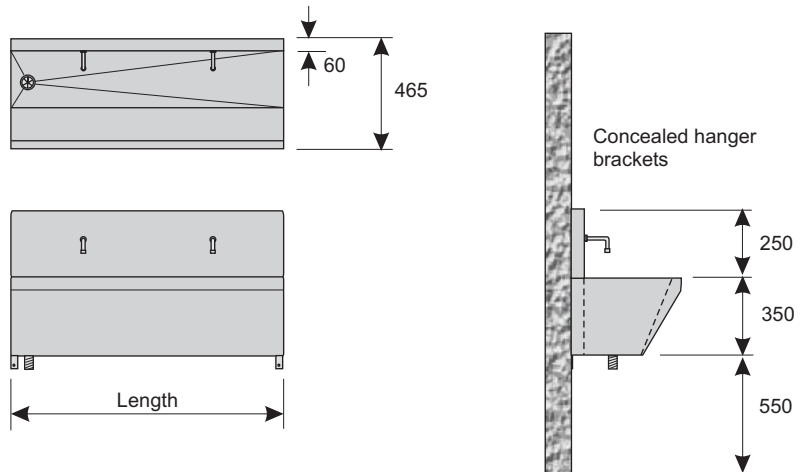
- Available in any length, up to 3000mm, allowing approximately 600 per person.
- Tapholes as required.



H38** - Splashback Scrub-up Trough

Manufactured in accordance with HTM64, from 1.2mm thick grade 304, satin polished stainless steel, supplied with brackets and **W1122** 38mm plastic grated waste (in a left, right or central position).

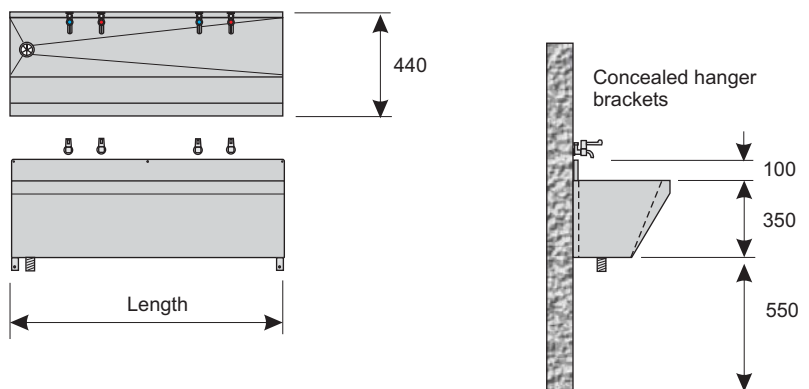
- Available in any length, up to 3000mm, allowing approximately 600mm per person.
- Tapholes as required.



H39** - Standard Scrub-up Trough

Manufactured in accordance with HTM64, from 1.2mm thick grade 304, satin polished stainless steel, supplied with brackets and **W1122** 38mm plastic grated waste (in a left, right or central position).

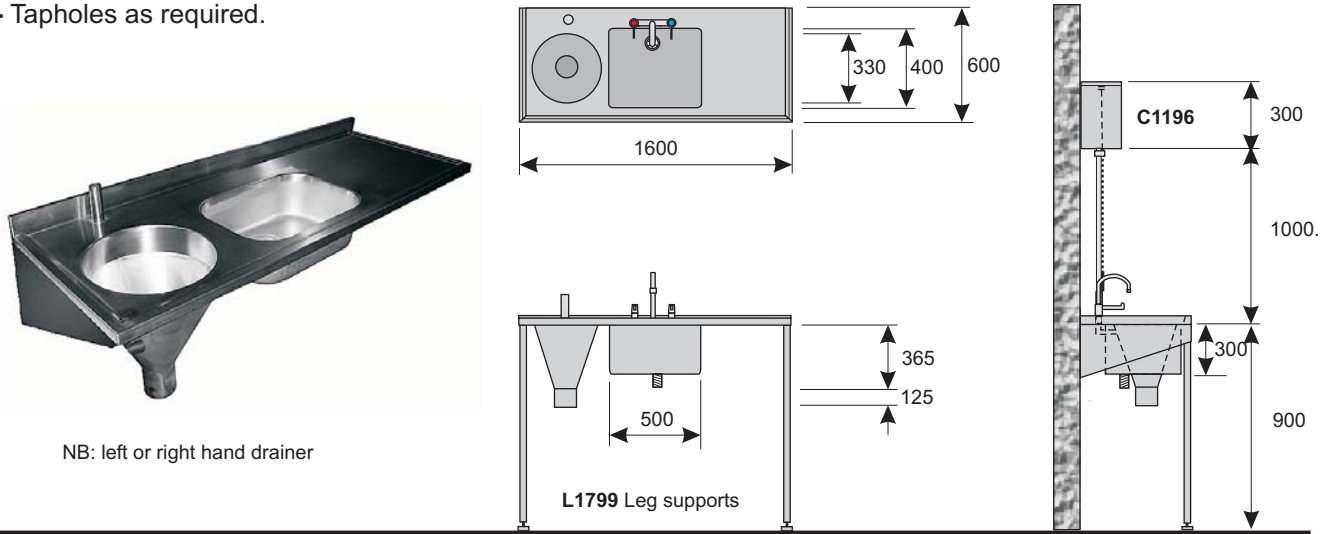
- Available in any length, up to 3000mm, allowing approximately 600mm per person.



H3001 - Combined Sink/Slop Hopper (top inlet) H3002 - Combined Sink/Slop Hopper (back inlet)

Manufactured in accordance with HTM64, from 1.2mm thick grade 304, satin polished stainless steel, supplied with anti-drip edges, brackets, top or back inlet 38mm flushpipe connection, 110mm spigot soil outlet and 38mm waste.

- Tapholes as required.



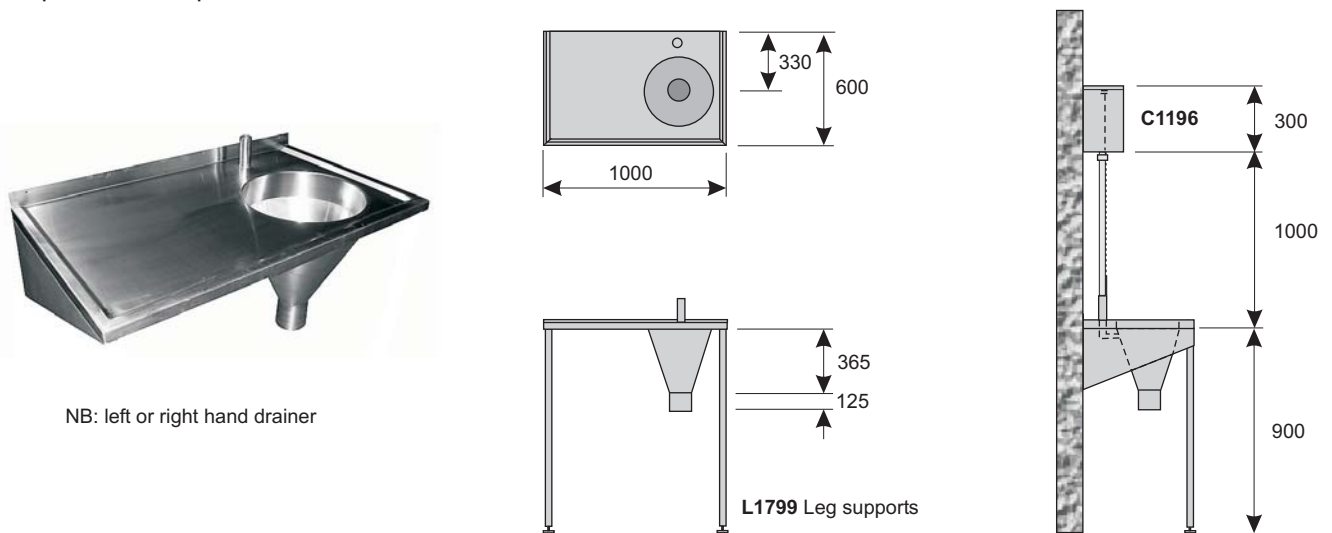
NB: left or right hand drainer

L1799 Leg supports

H3101 - Combined Slop Hopper/Drainer (top inlet) H3102 - Combined Slop Hopper/Drainer (back inlet)

Manufactured in accordance with HTM64, from 1.2mm thick grade 304, satin polished stainless steel, supplied with anti-drip edges, brackets, top or back inlet 38mm flushpipe connection and 110mm spigot soil outlet.

- Tapholes as required.



NB: left or right hand drainer

L1799 Leg supports

Options



B1001 - Bucket grating
L1799 - Stainless steel leg supports



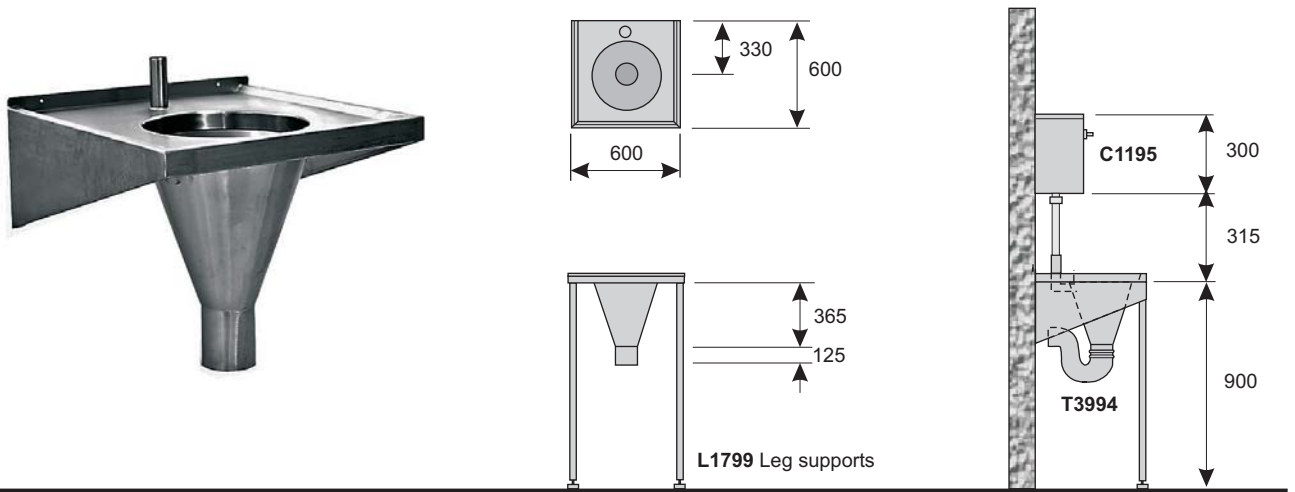
T3994 - 110mm stainless steel pushfit P trap



C1195 - Low level stainless steel cistern
C1196 - High level stainless steel cistern

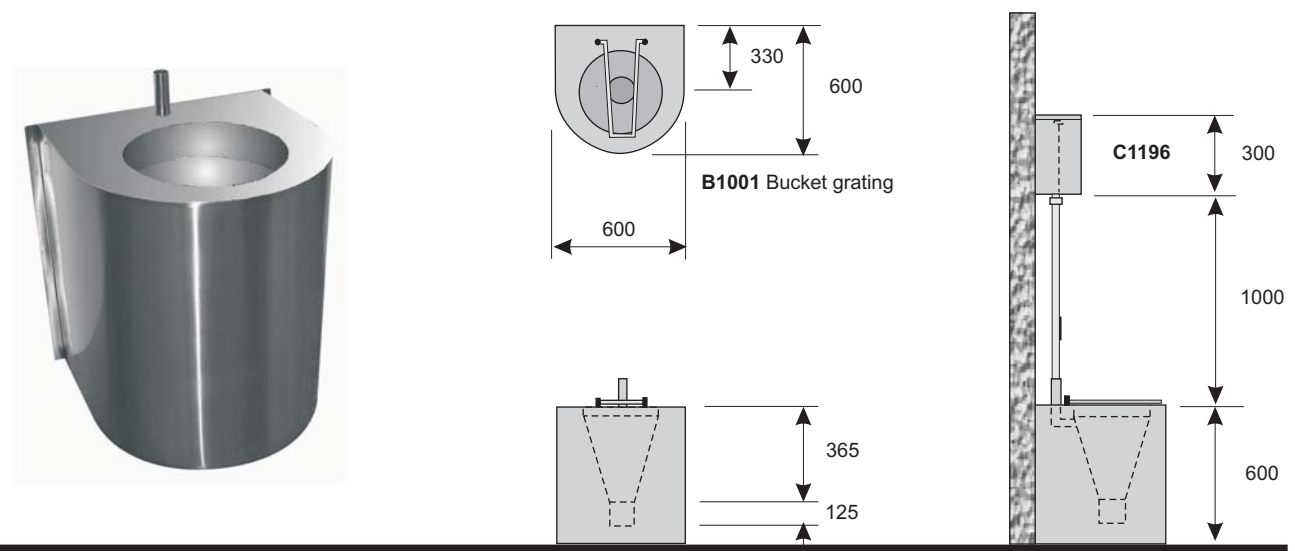
H3201 - Wall Mounted Slop Hopper (top inlet) H3202 - Wall Mounted Slop Hopper (back inlet)

Manufactured in accordance with HTM64, from 1.2mm thick grade 304, satin polished stainless steel, supplied with anti-drip edges, brackets, top or back inlet 38mm flushpipe connection and 110mm spigot soil outlet.
- Tapholes as required.



H3401 - Floor Standing Slop Hopper (top inlet) H3402 - Floor Standing Slop Hopper (back inlet)

Manufactured in accordance with HTM64, from 1.2mm thick grade 304, satin polished stainless steel, supplied with top or back inlet 38mm flushpipe connection and 110mm spigot soil outlet.



Options



B1001 - Bucket grating
L1799 - Stainless steel leg supports



T3994 - 110mm stainless steel pushfit P trap



C1195 - Low level stainless steel cistern
C1196 - High level stainless steel cistern

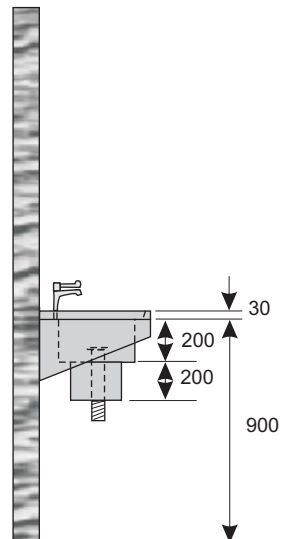
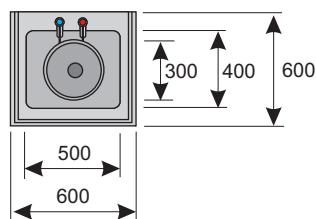
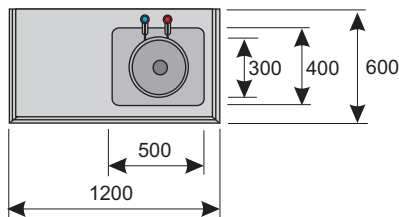
H3301 - Plaster Sink & Drainer H3302 - Plaster Sink

Manufactured in accordance with HTM64, from 1.2mm thick grade 304, satin polished stainless steel, supplied with anti-drip edges, brackets and 38mm standpipe strainer waste and plug. A sump containing a pull-out basket and cover is fitted to the bowl.

- Tapholes as required.



NB: left or right hand drainer



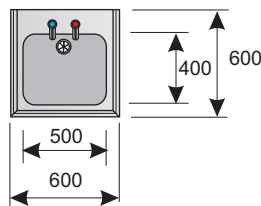
H360* - Hospital Sinks

Manufactured in accordance with HTM64, from 1.2mm thick grade 304, satin polished stainless steel, supplied with anti-drip edges, brackets and **W1130** 38mm waste (no overflow).

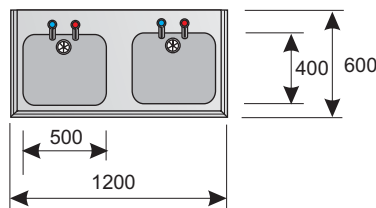
- Tapholes as required.



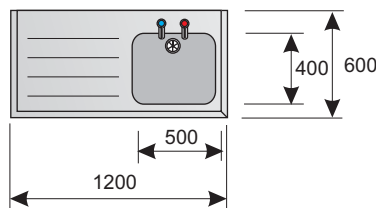
H3601 - single bowl



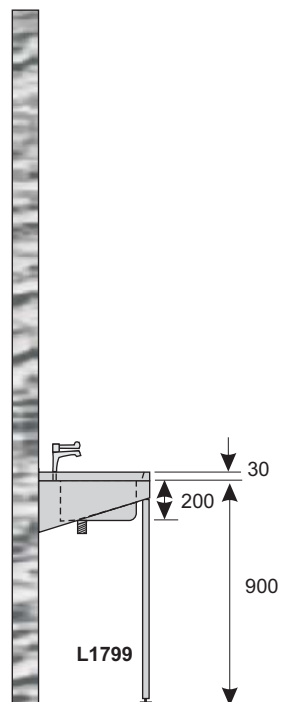
H3602 - double bowl



H3604 - single bowl single drainer



NB: left or right hand drainer



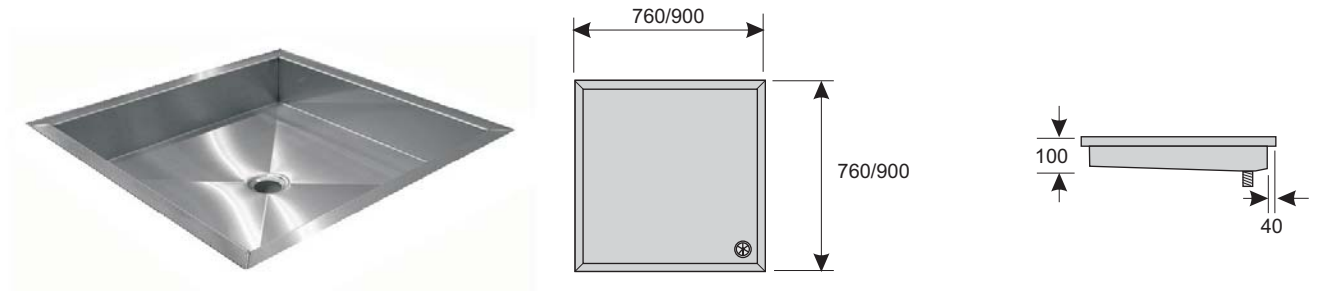
Options

L1799 - Pair of stainless steel leg supports

S2201 - Floor Recessed Shower Tray 760x760

S2202 - Floor Recessed Shower Tray 900x900

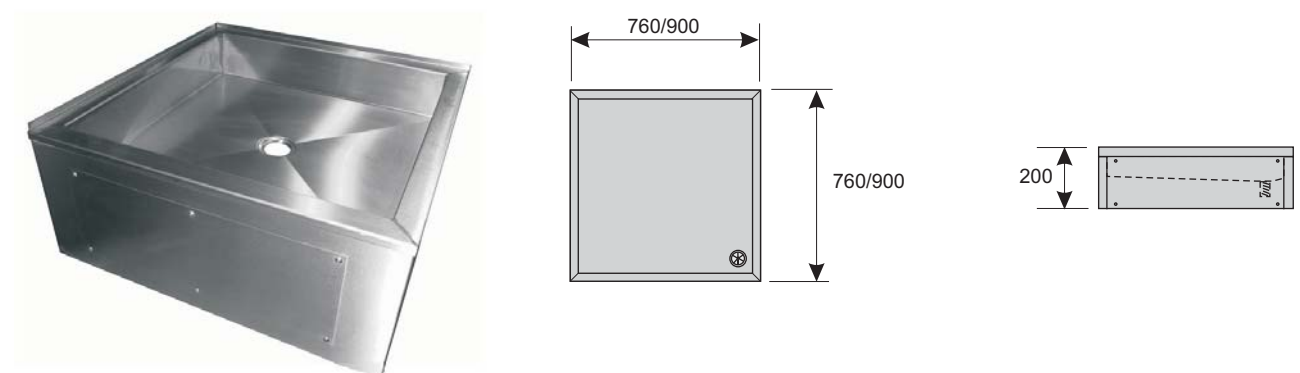
Manufactured from 1.2mm thick grade 304, satin polished stainless steel and supplied with **W1122** 38mm plastic grated waste.



S2301 - Floor Standing Shower Tray 760x760

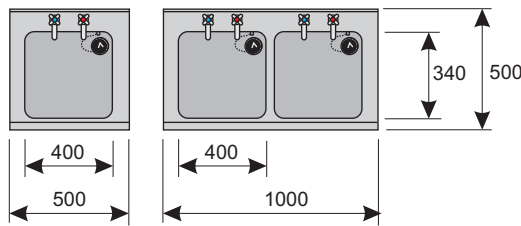
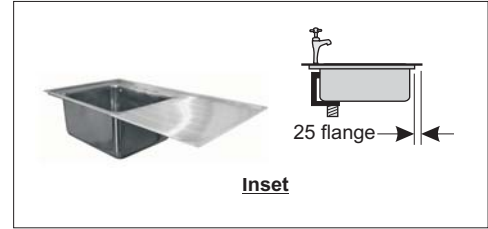
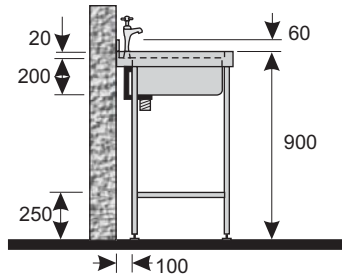
S2302 - Floor Standing Shower Tray 900x900

Manufactured from 1.2mm thick grade 304, satin polished stainless steel and supplied with removable access and **W1122** 38mm plastic grated waste.



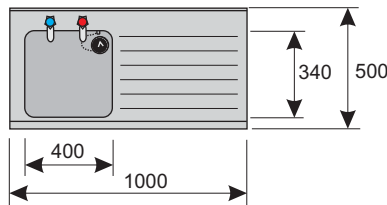
Manufactured from 1.2mm thick grade 304, satin polished stainless steel with 400x340x200mm deep bowl, **W1132** 38mm combined waste & overflow assembly, 30mm square tubular, grade 430 stainless steel stand and adjustable feet (with or without undershelf). Tops only can be supplied as inset or sit-on.
 - Tapholes as required.

Alternative bowl sizes available:
 250x250x200 deep
 335x235x180 deep
 330x330x200 deep
 340x300x200 deep
 350x290x200 deep
 400x290x200 deep



Mini Sink SB Unit
S5005
Mini Sink DB Unit
S5110

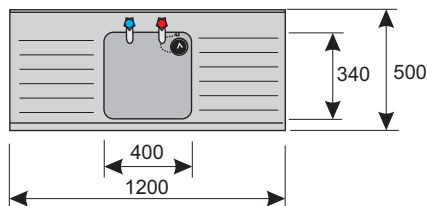
Mini Sink SB Top only
S5005T - (sit-on or inset)
Mini Sink DB Top only
S5110T - (sit-on or inset)



Mini Sink SBSD Unit
S5210

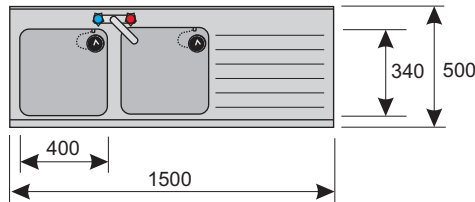
Mini Sink SBSD Top only
S5210T - (sit-on or inset)

NB: left or right hand drainer



Mini Sink SBDD Unit
S5312

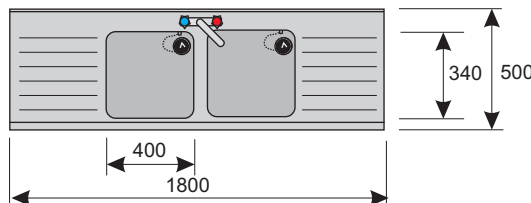
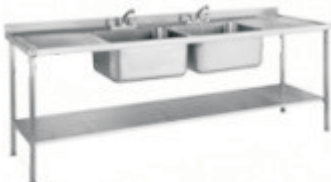
Mini Sink SBDD Top only
S5312T - (sit-on or inset)



Mini Sink DBSD Unit
S5415

Mini Sink DBSD Top only
S5415T - (sit-on or inset)

NB: left or right hand drainer



Mini Sink DBDD Unit
S5518

Mini Sink DBDD Top only
S5518T - (sit-on or inset)

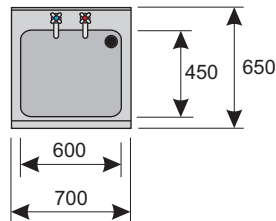
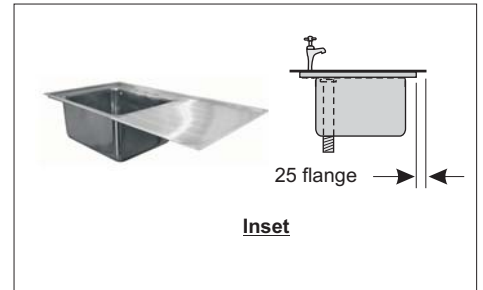
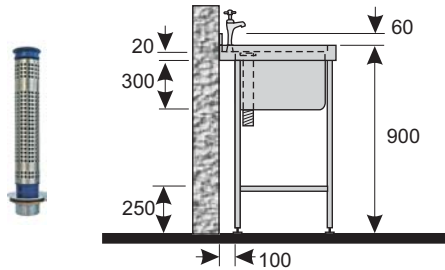
Options

C6893 - Cut out
D6898 - Additional undershelf

C8390 - Mitred corner
U6897 - End upstand

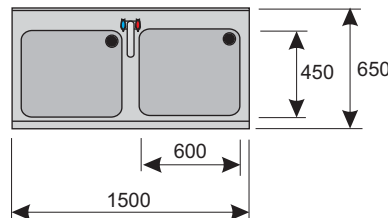
Manufactured from 1.2mm thick grade 304, satin polished stainless steel with 600x450x300mm deep bowls, **W1142** 38mm standpipe strainer waste, 30mm square tubular, grade 430 stainless steel stand and adjustable feet (with or without undershelf). Tops only can be supplied as inset or sit-on.

- If an extra large bowl (760x510) is required, the width must be increased from 650mm to a minimum of 700 and will incur an extra cost.
- Tapholes as required.



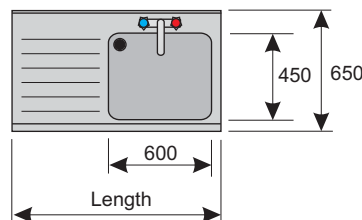
Standard SB Sink Unit
S6007

Standard SB Sink Top only
S6007T - (sit-on or inset)



Standard DB Sink Unit
S6115

Standard DB Sink Top only
S6115T - (sit-on or inset)



Standard SBSD Sink Unit

- S6210** - 1000mm long
- S6212** - 1200mm long
- S6215** - 1500mm long
- S6218** - 1800mm long

Standard SBSD Sink Top only

- S6210T** - 1000mm long (sit-on or inset)
- S6212T** - 1200mm long (sit-on or inset)
- S6215T** - 1500mm long (sit-on or inset)
- S6218T** - 1800mm long (sit-on or inset)

NB: left or right hand drainer

Options

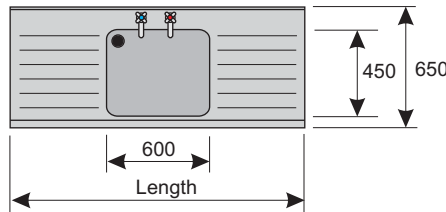
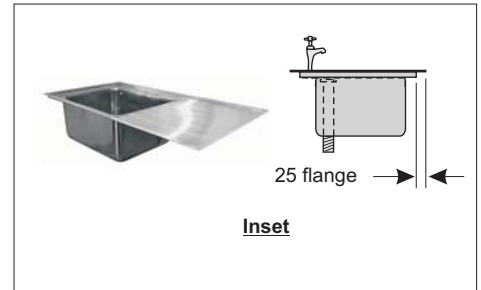
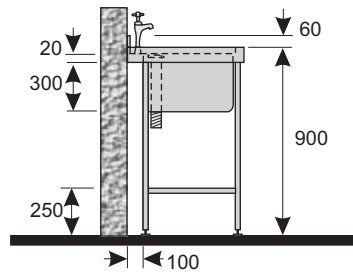
- S6892** - Additional strengthening
- D6894** - Drawer
- D6895** - Drawer with lock
- C5599** - Four standard-duty castors (two braked)
- C5597** - Four heavy-duty castors (two braked)

- D6898** - Additional undershelf
- C6893** - Cut out
- C8390** - Mitred corner
- U6897** - End upstand

Manufactured from 1.2mm thick grade 304, satin polished stainless steel with 600x450x300mm deep bowls, **W1142** 38mm standpipe strainer waste, 30mm square tubular, grade 430 stainless steel stand and adjustable feet (with or without undershelf). Tops only can be supplied as inset or sit-on.

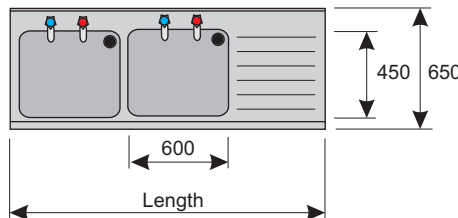
- If an extra large bowl (760x510) is required, the width must be increased from 650mm to a minimum of 700 and will incur an extra cost.
- Tapholes as required.

Alternative bowl sizes available:
 400x400x250 deep
 400x400x300 deep
 500x400x250 deep
 500x400x300 deep
 600x450x250 deep
 600x450x300 deep
Extra large bowls
 760x510x300 deep
 760x510x380 deep



Standard SBDD Sink Unit
S6315 - 1500mm long
S6318 - 1800mm long

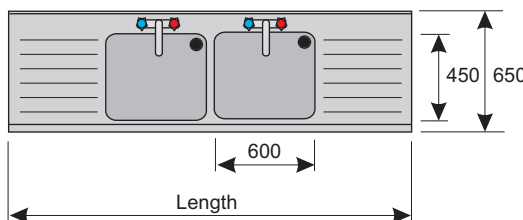
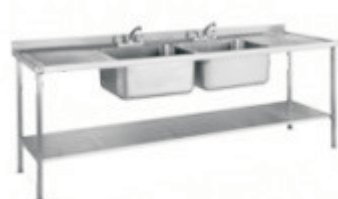
Standard SBDD Sink Top only
S6315T - 1500mm long (sit-on or inset)
S6318T - 1800mm long (sit-on or inset)



Standard DBSD Sink Unit
S6418 - 1800mm long
S6424 - 2400mm long

Standard DBSD Sink Top only
S6418T - 1800mm long (sit-on or inset)
S6424T - 2400mm long (sit-on or inset)

NB: Left or right hand drainer



Standard DBDD Sink Unit
S6524 - 2400mm long
S6530 - 3000mm long
S6535 - 3500mm long

Standard DBDD Sink Top only
S6524T - 2400mm long (sit-on or inset)
S6530T - 3000mm long (sit-on or inset)
S6535T - 3500mm long (sit-on or inset)

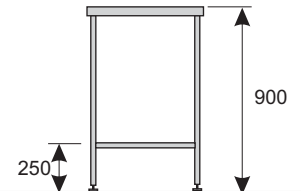
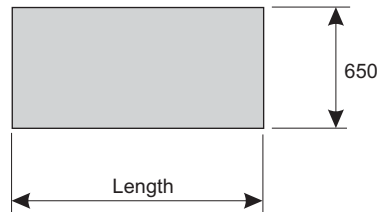
Options

- S6892** - Additional strengthening
- D6894** - Drawer
- D6895** - Drawer with lock
- C5599** - Four standard-duty castors (two braked)
- C5597** - Four heavy-duty castors (two braked)

- D6898** - Additional undershelf
- C6893** - Cut out
- C8390** - Mitred corner
- U6897** - End upstand

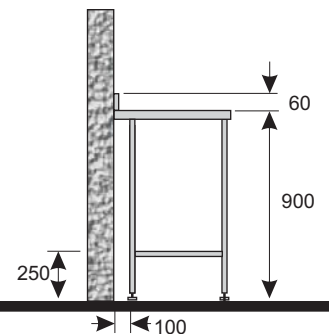
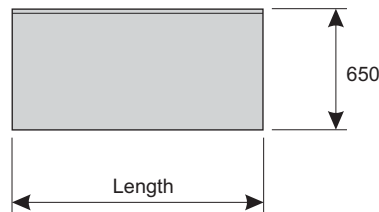
T66** - Centre Table

Manufactured from 1.2mm thick grade 304, satin polished stainless steel, supplied with 30mm square tubular grade 430 stainless steel stand with adjustable feet (with or without undershelf). Worktop only can be supplied.
 - Available in any length up to 2875mm.



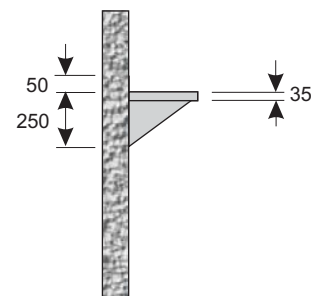
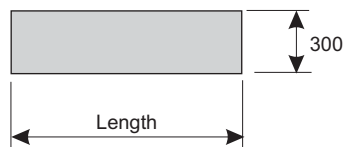
T67** - Wall Table

Manufactured from 1.2mm thick grade 304, satin polished stainless steel, supplied with 30mm square tubular grade 430 stainless steel stand with adjustable feet (with or without undershelf). Worktop only can be supplied.
 - Available in any length up to 2875mm.



W75** - Wall Shelf

Manufactured from 1.2mm thick grade 430, satin polished stainless steel, supplied with brackets.
 - Available in any length up to 2875mm.



Options

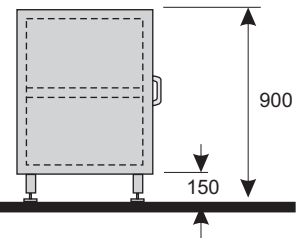
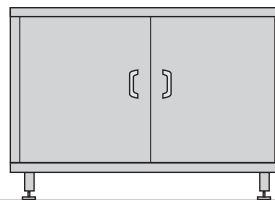
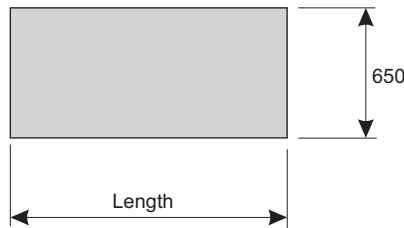
- S6892** - Additional strengthening
- D6894** - Drawer
- D6895** - Drawer with lock
- C5599** - Four standard-duty castors (two braked)
- C5597** - Four heavy-duty castors (two braked)
- D6898** - Additional shelf

- C6893** - Cut-out
- C8390** - Mitred corner
- U6897** - End upstand
- W0011** - Weld-in 400x400x300 bowl c/w waste
- W0012** - Weld-in 500x400x300 bowl c/w waste
- W0013** - Weld-in 600x450x300 bowl c/w waste
- W0022** - Weld-in 300 diameter bowl c/w waste

C71** - Floor Cupboard

Manufactured from 1.2mm thick grade 304, satin polished stainless steel, supplied with sliding or hinged doors, 30mm square tubular grade 430 stainless steel frame, adjustable feet and intermediate shelf.

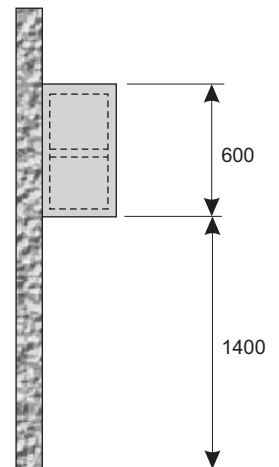
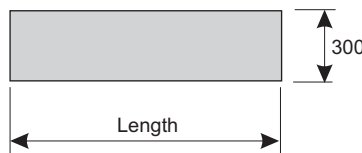
- Available in any length, from 600 to 2400mm.
- Sink or handwash bowls can be welded into the top at an extra cost.



C73** - Wall Cupboard

Manufactured from 1.2mm thick grade 304, satin polished stainless steel, supplied with sliding or hinged doors, 30mm square tubular grade 430 stainless steel frame and intermediate shelf.

- Available in any length, from 600 to 1500mm.



Options

- | | |
|--|--|
| L7499 - Hinged or sliding door lock (per door) | C6893 - Cut-out |
| S6892 - Additional strengthening | C8390 - Mitred corner |
| D6894 - Drawer | U6897 - End upstand |
| D6895 - Drawer with lock | W0011 - Weld-in 400x400x300 bowl c/w waste |
| C5599 - Four standard-duty castors (two braked) | W0012 - Weld-in 500x400x300 bowl c/w waste |
| C5597 - Four heavy-duty castors (two braked) | W0013 - Weld-in 600x450x300 bowl c/w waste |
| D6898 - Additional shelf | W0022 - Weld-in 300 diameter bowl c/w waste |