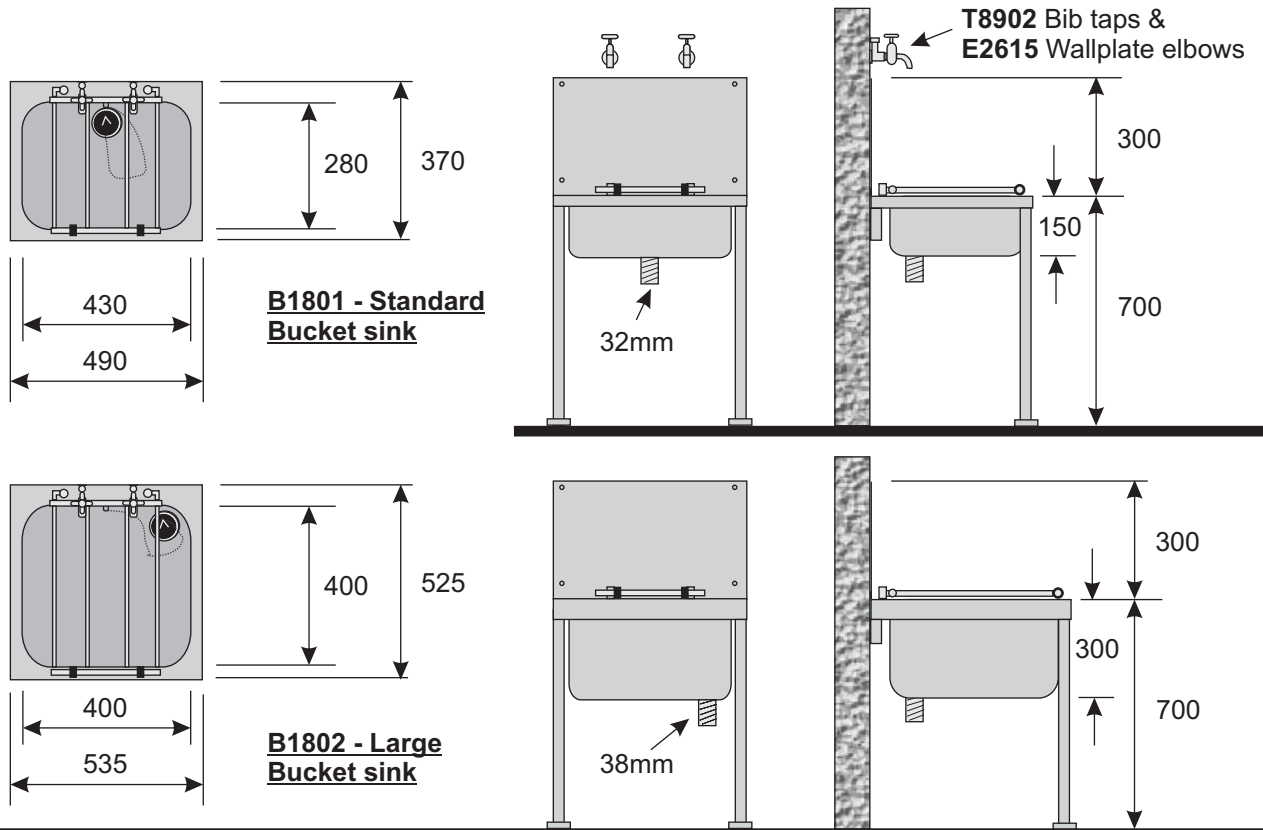


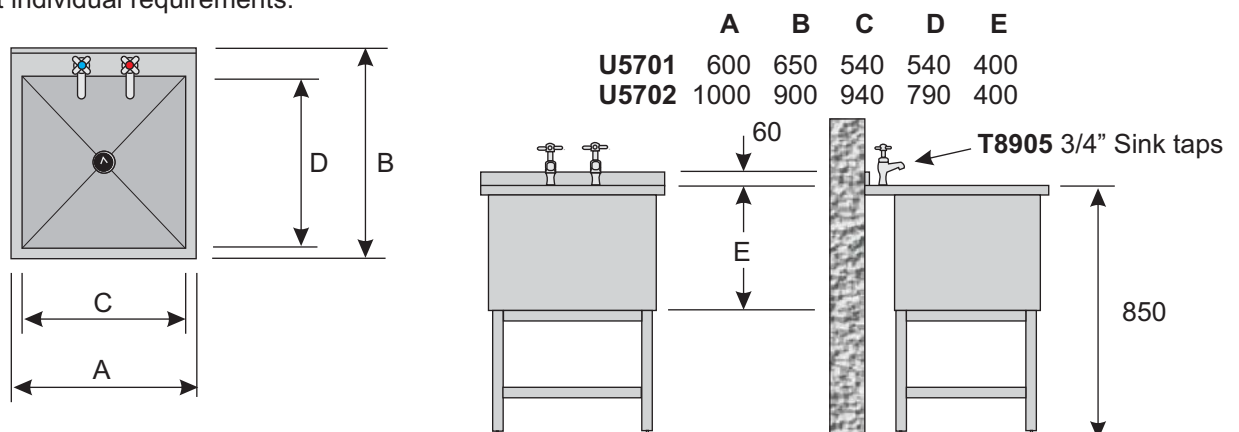
Bucket Sinks

Manufactured from 1mm thick grade 304, satin polished stainless steel, supplied with brackets, legs, splashback, hinged bucket grating and combined waste and overflow assembly.



Utility Sinks

Manufactured from 1.2mm thick grade 304, satin polished stainless steel, supplied with 30mm square tubular grade 430 stainless steel stand and 38mm waste and plug. Tapholes as required. Utility sinks can be made to suit individual requirements.



Optional Extras

- | | | | |
|--------------|-----------------------------------|--------------|----------------------------------|
| T8902 | Cross head BS5412 bib taps | T9103 | Cross head BS1010 3/4" sink taps |
| T8903 | Cross head BS5412 sink taps | T9012 | Standard BS5412 sink taps |
| T8904 | Cross head BS5412 sink deck mixer | T9013 | Standard BS5412 sink deck mixer |
| T8906 | Cross head BS1010 3/4" bib taps | T9103 | Non-concussive bib taps |