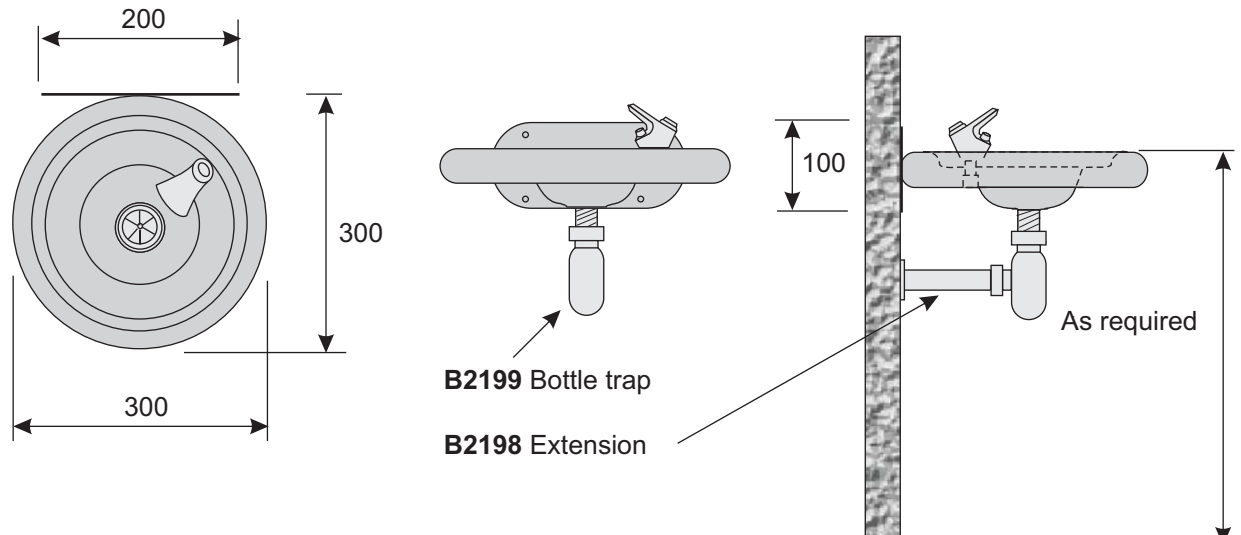


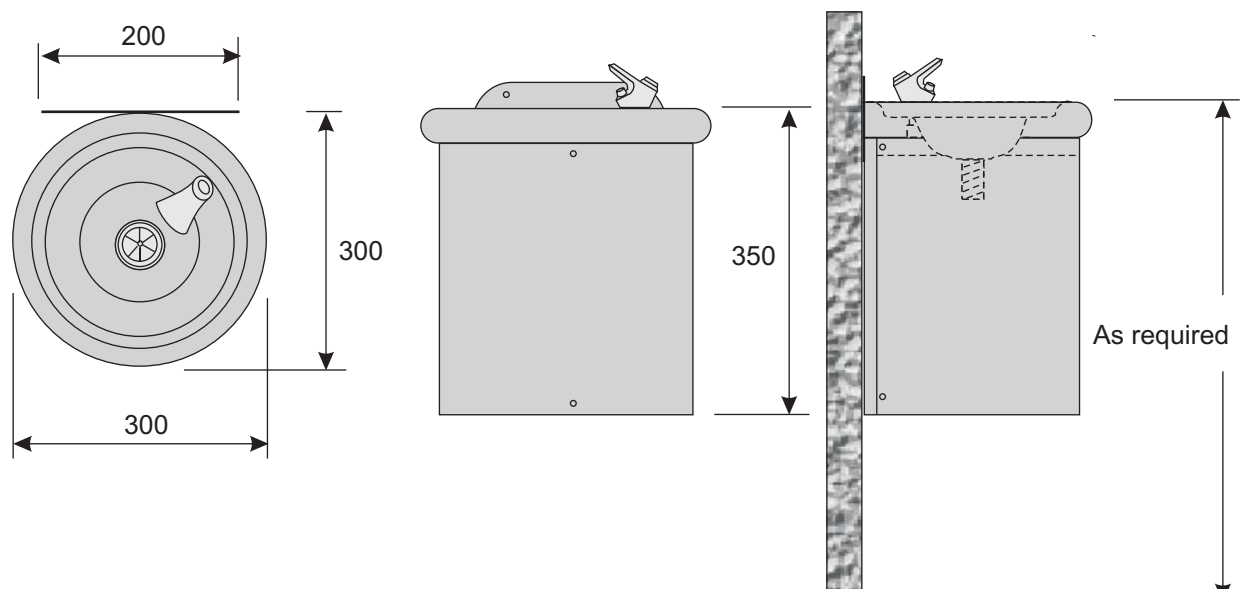
D2001 - Standard Drinking Fountain

Manufactured from 1.2mm thick grade 304, bright polished stainless steel, supplied with integral bracket, 32mm plastic grated waste and chromium plated brass bubbler with push-button control and 15mm compression inlet.



D2002 - Shrouded Drinking Fountain

Manufactured from 1.2mm thick grade 304, bright polished stainless steel, supplied with removable shroud, 32mm plastic grated waste and chromium plated brass bubbler with push-button control and 15mm compression inlet. A **D2002F** is available with a shroud to the floor.



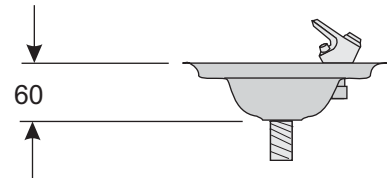
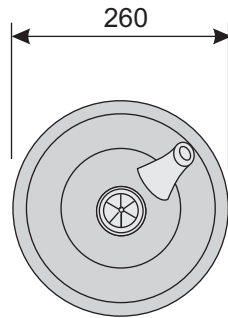
Optional Extras

B2199 Chromium plated brass bottle trap

B2198 Chromium plated brass 200mm long extension and wall flange

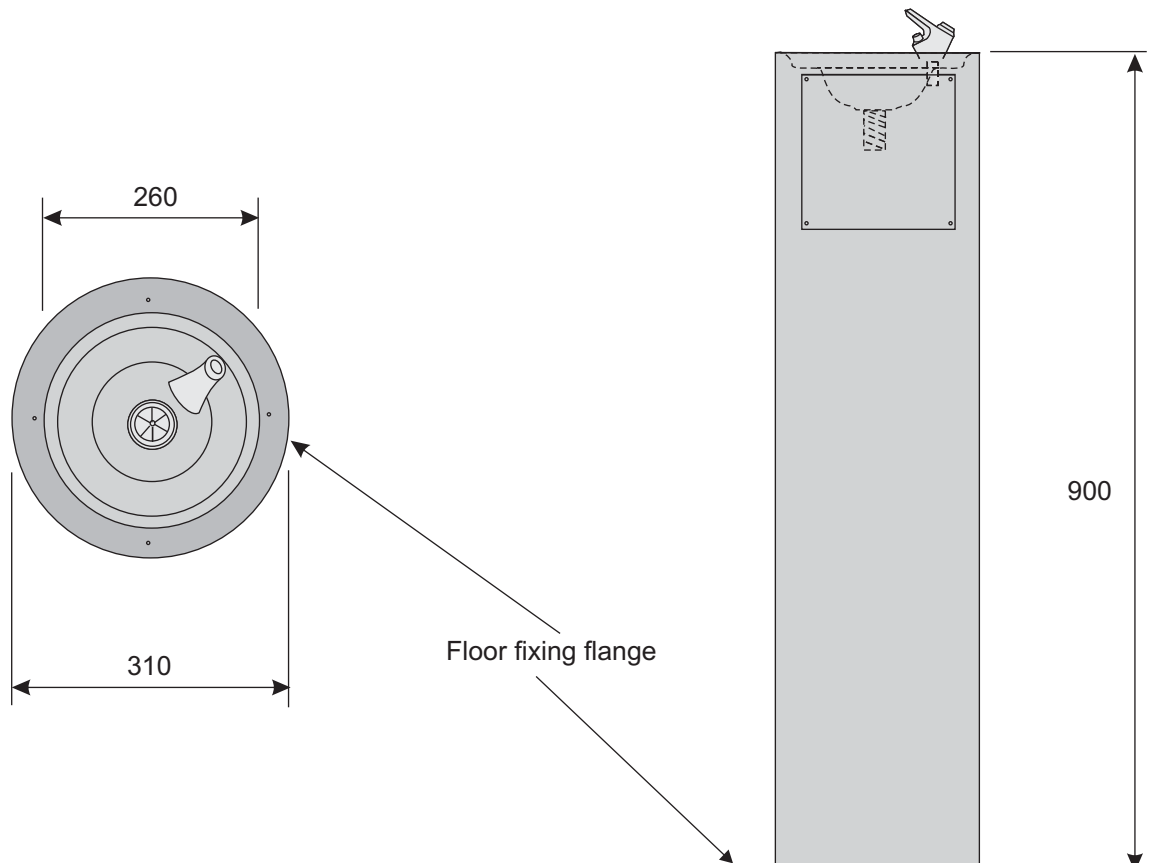
D2003 - Inset Drinking Fountain

Manufactured from 1.2mm thick grade 304, satin polished stainless steel, supplied with 32mm plastic grated waste and chromium plated brass bubbler with push-button control and 15mm compression inlet.



D2004 - Pedestal Drinking Fountain

Manufactured from 1.2mm thick grade 304, satin polished stainless steel, supplied with removable access, floor fixing flange, 32mm plastic grated waste and chromium plated brass bubbler with push-button control and 15mm compression inlet.



Optional Extras

B2199 Chromium plated brass bottle trap

B2198 Chromium plated brass 200mm long extension tube and wall flange