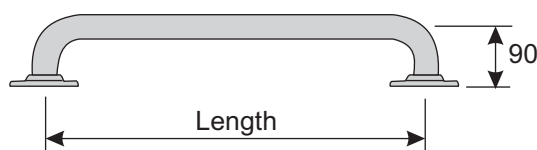


Standard Grab Rails

Manufactured from 35mm diameter, 1.2mm thick, grade 304, bright polished stainless steel tube with 1.5mm thick fixed flanges. Alternative sizes, available on request.

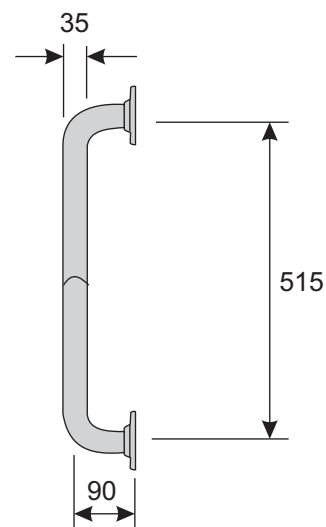
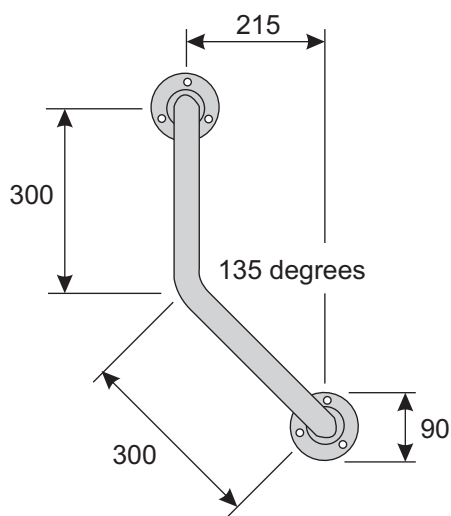


- G8801** - 300mm long
- G8802** - 450mm long
- G8803** - 600mm long
- G8804** - 750mm long
- G8805** - 900mm long



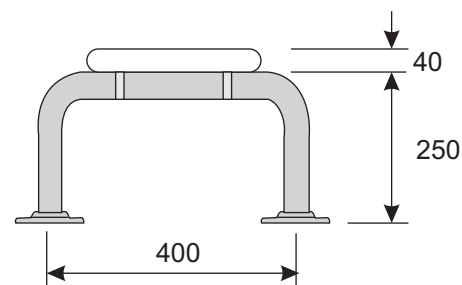
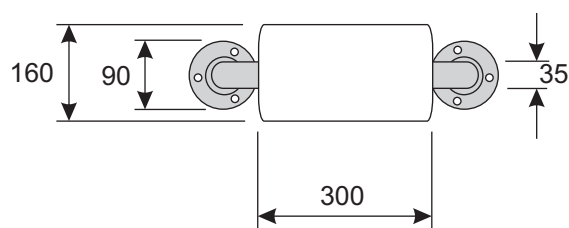
G8806 - Angled Grab Rail

Manufactured from 35mm diameter, 1.2mm thick, grade 304, bright polished stainless steel tube with 2mm thick fixed flanges. Alternative sizes, available on request.



G8808 - Padded Backrest

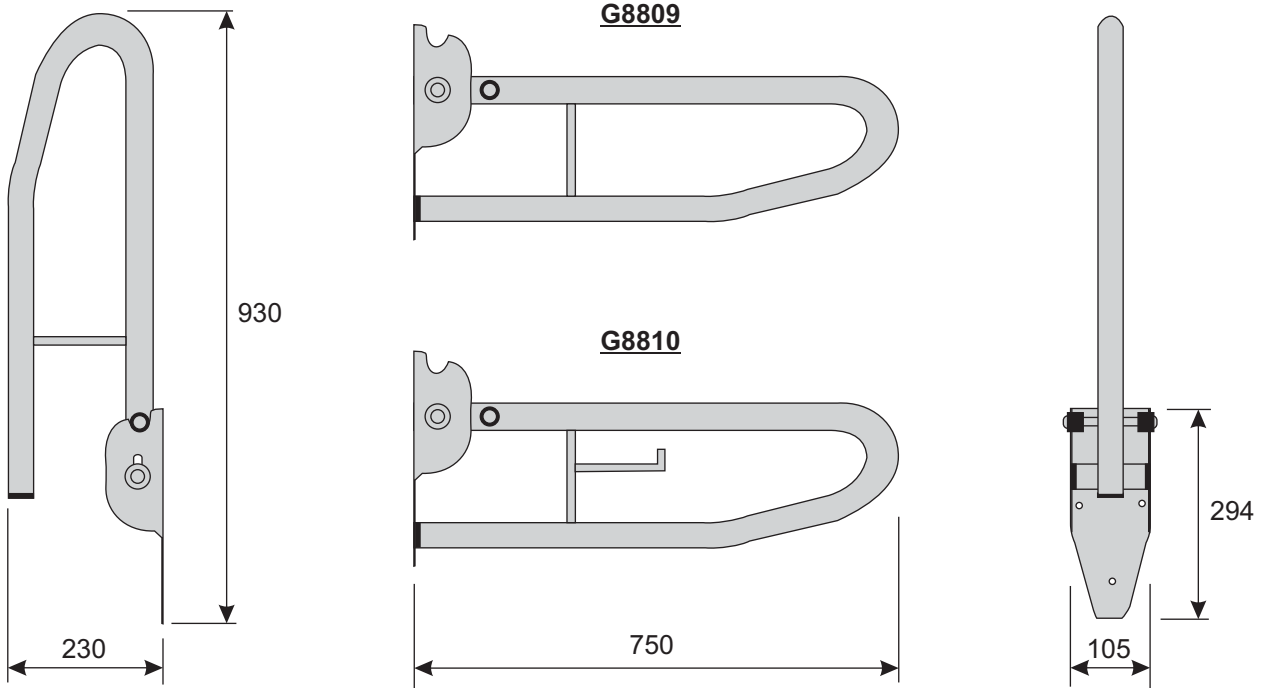
Manufactured from 35mm diameter, 1.2mm thick, grade 304, bright polished stainless steel tube with 1.5mm thick fixed flanges and white plastic upholstered, foam pad.



G8809 - Hingedown Grab Rail

G8810 - Hingedown Grab Rail (with toilet roll holder)

Manufactured from 35mm diameter, 1.2mm thick, grade 304, bright polished stainless steel tube with 2mm thick fixed flanges.



G8811 - Vertical Pole

G8812 - Vertical Pole and Stay

Manufactured from 35mm diameter, 1.2mm thick, grade 304, bright polished stainless steel tube with 1.5mm thick fixed flanges. Alternative sizes, available on request.

