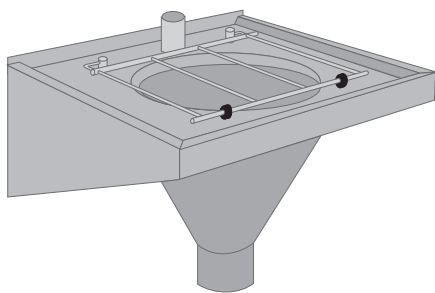
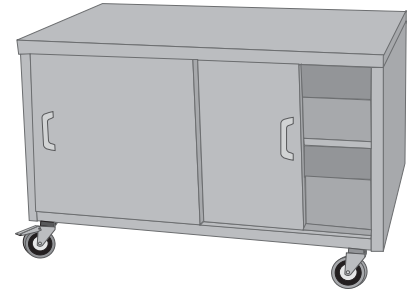
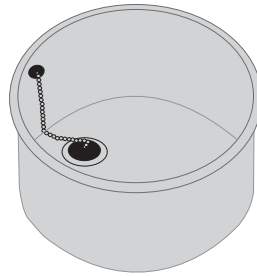
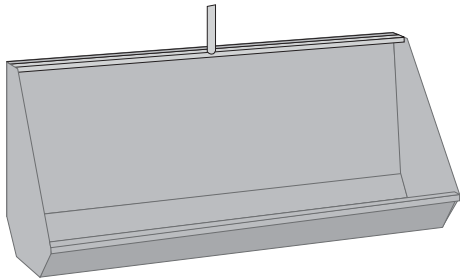
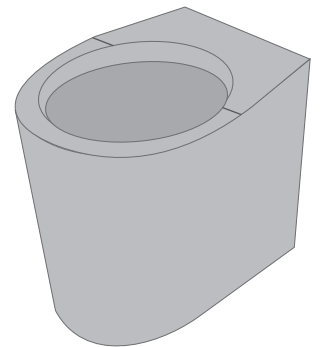
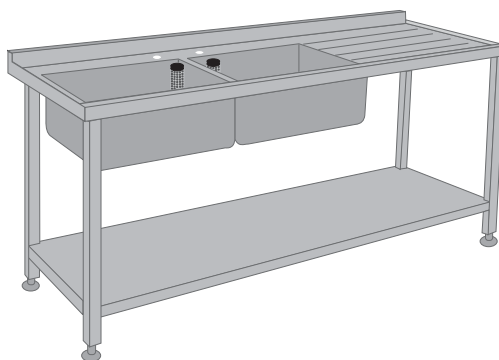
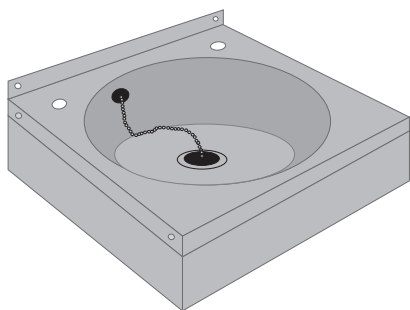
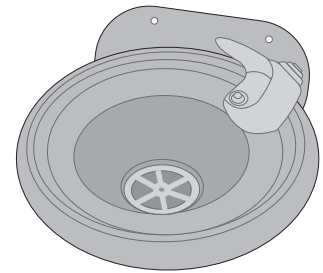


MG Stainless Limited

Units 1 & 2, Shaw Road, Netherton, DUDLEY, DY2 8TS



Stainless steel
sanitaryware,
washroom and
catering equipment



Sales Contact: Martin Gillett

Telephone: 01384 232175 Facsimile: 01384 232177 Mobile: 07970 938010

Website: www.mgstainless.co.uk E Mail: mail@mgstainless.co.uk

| | | | |
|----------------------------------|--------|---------------------------------------|---------|
| General information | Page 3 | | |
| Urinals | Page 4 | | |
| Wall Mounted Trough Urinal | 5 | | |
| Floor Recessed Slab Urinal | 6 | | |
| Floor Standing Slab Urinal | 7 | | |
| Floor Standing Trough Urinal | 8 | | |
| Bowl Urinal | | | |
| WC Pans / Suites | | | |
| Pedestal WC Pans | 9 | | |
| Shrouded WC Pans | 10 | | |
| Wall Mounted WC Pan | 11 | | |
| Close Coupled WC Suite | 11 | | |
| Disabled WC Pan | 12 | | |
| Rear Panelled WC Suite | 13 | | |
| Squatting WC Pan | 13 | | |
| Washtroughs/Washfountains | | | |
| Contract Washtrough | 14 | | |
| Taplanding Washtrough | 14 | | |
| Splashback Washtrough | 15 | | |
| Island Washtrough | 15 | | |
| Washfountains | 16 | | |
| Drinking Fountains | | | |
| Standard Drinking Fountain | 17 | | |
| Shrouded Drinking Fountain | 17 | | |
| Inset Drinking Fountain | 18 | | |
| Pedestal Drinking Fountain | 18 | | |
| Wall-recessed Drinking Fountain | 18a | | |
| Basins | | | |
| Standard Basin | 19 | | |
| Small Basin | 19 | | |
| Mini Basin | 19 | | |
| Corner Basin | 20 | | |
| Circular Inset Basin | 20 | | |
| Wall Recessed Basin | 20 | | |
| Inset Basin & Bowls | | | |
| Oval Inset Basin | 20a | | |
| Oval Inset Vanity Bowl | 20a | | |
| Inset Sink Bowls | 20a | | |
| Inset Bowls | | | |
| Vanity Bowls | 21 | | |
| Circular Inset Bowls | 21 | | |
| Square Inset Bowl | 21 | | |
| Rectangular Inset Bowl | 21 | | |
| Bucket / Utility Sinks | | | |
| Bucket Sinks | 22 | | |
| Utility Sinks | 22 | | |
| Janitorial Units | 22a | | |
| Shower Trays / Cubicles | | | |
| Floor Recessed Shower Tray | 23 | | |
| Floor Standing Shower Tray | 23 | | |
| Shower Cubicles | 24 | | |
| Hospital Equipment | | | |
| Taplanding Scrub-upTrough | 25 | | |
| | | Hospital Equipment (continued) | Page 25 |
| | | Splashback Scrub-up Trough | 26 |
| | | Standard Scrub-up Trough | 26 |
| | | Combined Sink/Slop Hopper | 27 |
| | | Combined Slop Hopper/Drainer | 27 |
| | | Wall Mounted Slop Hopper | 27 |
| | | Floor Standing Slop Hopper | 27a |
| | | Hospital Sinks | 28 |
| | | Plaster Sink | 28 |
| | | Vanity Units | |
| | | Vanity Units and Tops | 29 |
| | | Inset Sink Bowls | |
| | | Inset Sink Bowls | 30 |
| | | Ice Sinks | |
| | | Ice Sink Units | 31 |
| | | Single Inset Ice Sink | 31 |
| | | Double Inset Ice Sink | 31 |
| | | Sinks | |
| | | Mini Sink Units | 32 |
| | | Standard Sink Units | 33 |
| | | Standard Sink Units (continued) | 34 |
| | | Large Sink Units | 35 |
| | | Large Sink Units (continued) | 36 |
| | | Hot Rinse Sink Units | 37 |
| | | Tables / Shelves | |
| | | Centre Table | 38 |
| | | Wall Table | 38 |
| | | Wall Shelf | 38 |
| | | Microwave Shelf | 38 |
| | | Cupboards | |
| | | Floor Cupboard | 39 |
| | | Sink Cupboard | 39 |
| | | Wall Cupboard | 39 |
| | | Accessories | |
| | | Hand Drier | 40 |
| | | Paper Towel Dispenser | 40 |
| | | Waste Bin | 40 |
| | | Napkin Disposal Bin | 41 |
| | | Toilet Roll Holders | 41 |
| | | Toilet Tissue Dispenser | 41 |
| | | Liquid Soap Dispensers | 42 |
| | | Soap Shelf | 42 |
| | | Robe Hooks | 42 |
| | | Stainless Steel Mirrors | 42 |
| | | Grab Rails | |
| | | Standard Grab Rails | 43 |
| | | Angled Grab Rail | 43 |
| | | Padded Backrest | 43 |
| | | Hingedown Grab Rails | 44 |
| | | Vertical Poles | 44 |

Non Standard Products

We are able to manufacture special items, where site conditions or specific requirements preclude the use of standard products or sizes. Please supply us with exact details and a drawing to avoid any mistakes.

Policy Statement

The Company was founded in 1996 as Midtherm Stainless Limited and re-named MG Stainless Limited in October 2002. We offer a comprehensive range of sanitaryware, washroom and catering equipment, for projects requiring the durability and hygienic properties of stainless steel, manufactured and supplied by skilled and experienced personnel.

Our aim is to provide our customers with quality products and service, promptly, efficiently and competitively. Therefore, as a policy of continual improvement, we reserve the right to alter specifications without prior notice.

Material Specification

All our standard products are manufactured from grade 304 or grade 430 stainless steel to European Standard EN 10088-2, which is suitable for general use in toilets, washrooms and kitchens, within a normal working environment.

If equipment is to be regularly used for any other purpose, or under abnormal atmospheric conditions, eg. swimming pool, marine, laboratory use etc. grade 316 stainless steel may be more suitable, as it offers greater resistance to corrosive attack from chlorinated water in high ambient humidity, salt and other chemicals.

All grades of stainless steel are affected by a few specific chemicals and acids, so please contact the sales office for advice, if you are unsure of its suitability.

Installation Advice

Stainless steel fixings should always be used, especially under wet or humid conditions.

If strong acid solutions used for cleaning tiles or masonry, come into contact with stainless steel, rinse off thoroughly with clean water and wipe dry. Hydrochloric or sulphuric acid will attack stainless steel.

Plain carbon steel nails, screws, paint tins, grinding swarf, wire wool etc., left on stainless steel will rust and discolour the surface, giving the impression that the stainless steel is rusting.

Upon completion of installation, remove any debris and clean thoroughly, as recommended in Care and Maintenance.

Care and Maintenance

Stainless steel should be cleaned with soap or mild detergent and water, using a sponge or cloth, then rinsed with clean water and wiped dry.

If stubborn marks or deposits are allowed to form, use a cream cleaner that is suitable for stainless steel and, if necessary, a nylon pad or brush.

Regular cleaning, once a week, should avoid any problems.

Warning

If the correct grade of stainless steel is used for its intended purpose, within the correct environment and cleaned correctly, it will not rust or stain and will maintain its original appearance for many years.

If it is not cleaned regularly, dirt and other deposits can build up and discolour the surface of stainless steel and will often resemble rust. However, stubborn marks and deposits can be removed. See Care and Maintenance.

Only use cleaning solutions clearly recommended for use with stainless steel. If in doubt, do not use.

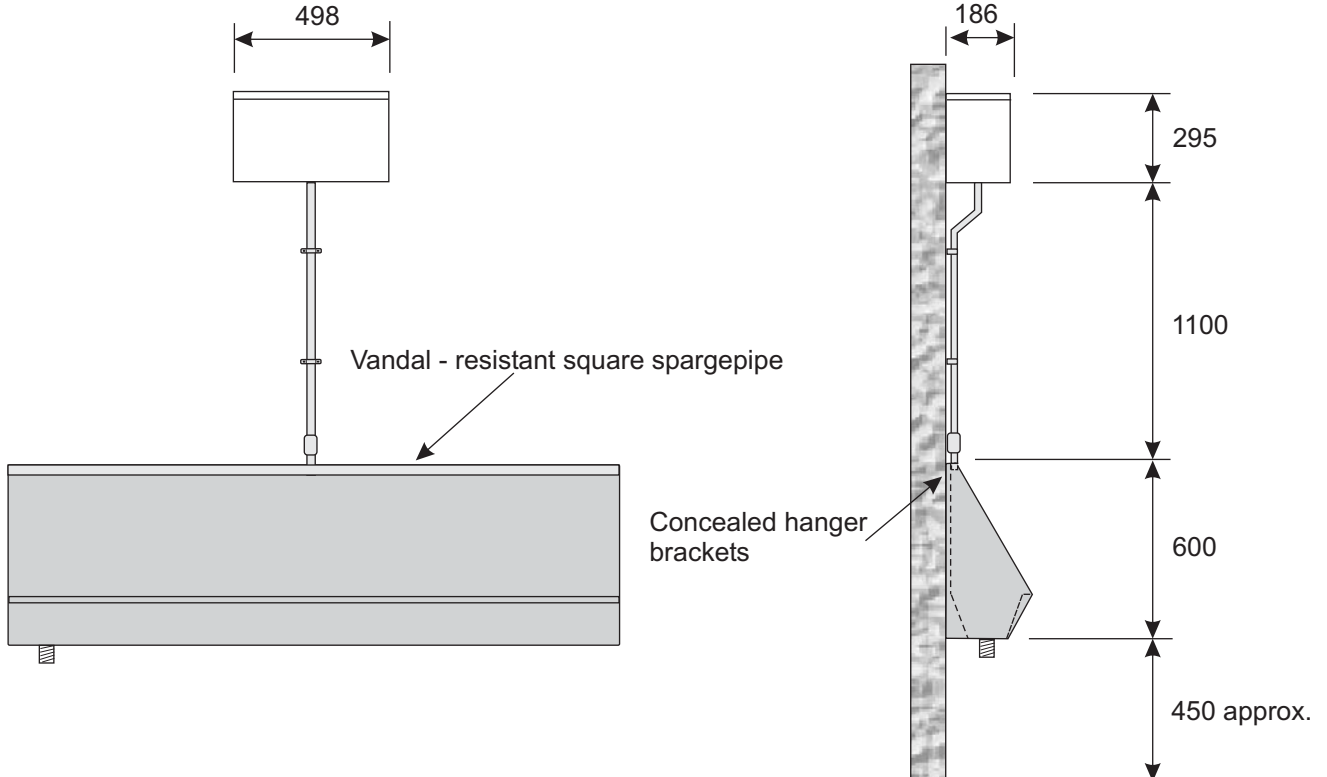
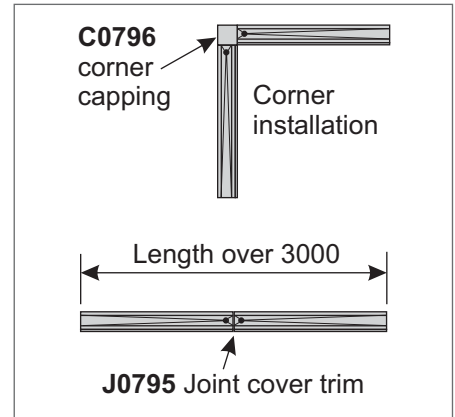
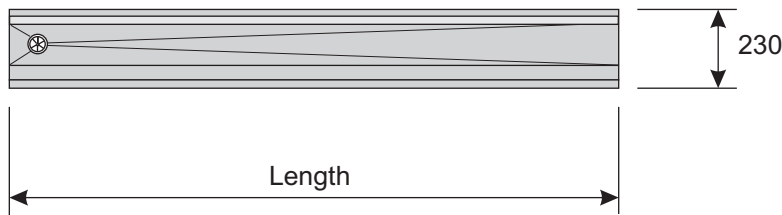
If any liquid containing bleach (sodium hypochlorite) is used on, or accidentally splashed on, stainless steel, a chemical reaction can occur. If it is not rinsed off with clean water and wiped dry, within a few minutes, this reaction causes pitting corrosion of the surface and subsequently rust, which is irreparable.

U01 - Wall Mounted Trough Urinal

Manufactured from 1.2mm thick grade 304, satin polished stainless steel, with polished end panels (suitable for wall or exposed installation), 38mm white plastic domed waste outlet (in a left, right or central position), white high impact polystyrene cistern and all necessary pipework, clips and fixings, unless ordered otherwise. Available in any length, up to 3000mm, allowing approximately 600mm per person. For lengths in excess of 3000mm or for corner installations, two or more separate urinals should be used, each with their own waste and cistern.

There are two types of flushing arrangements:

- 1/ Top inlet (TI) square spargepipe with exposed cistern.
- 2/ Back inlet (BI) spreaders with concealed cistern.



Optional Extras

- J0795** Joint cover trim
- C0796** Corner capping
- T0000** Trap Shroud

- C0798** Stainless steel automatic cistern
- W1201** 50mm CP brass domed waste
- D0796** Downpipe Shroud

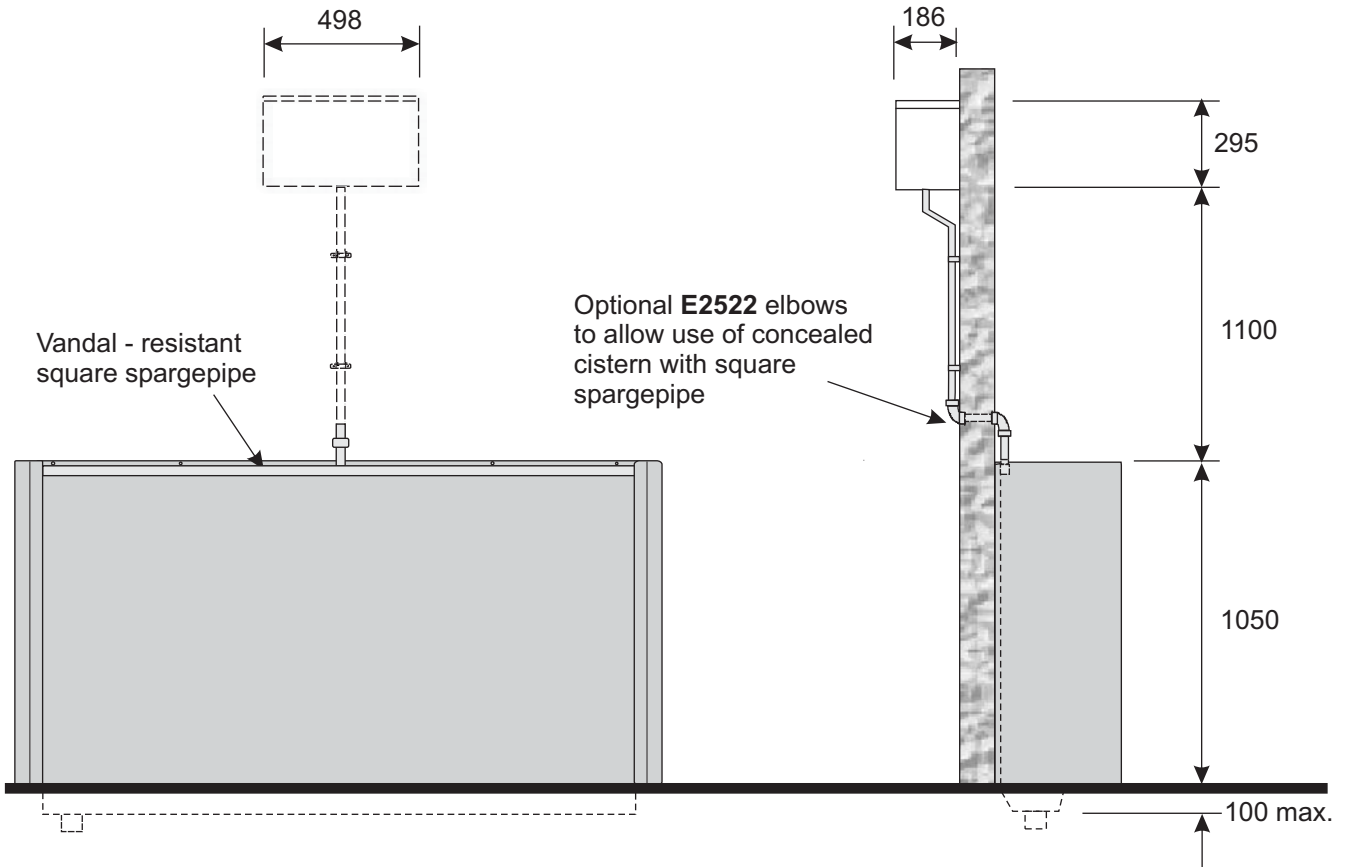
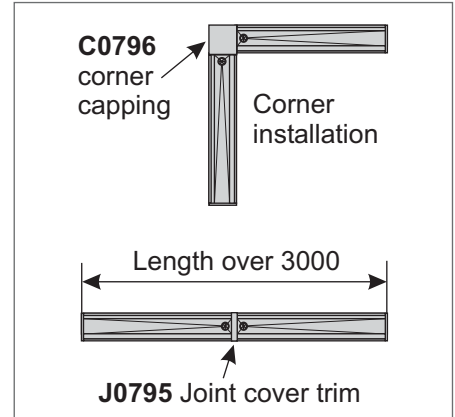
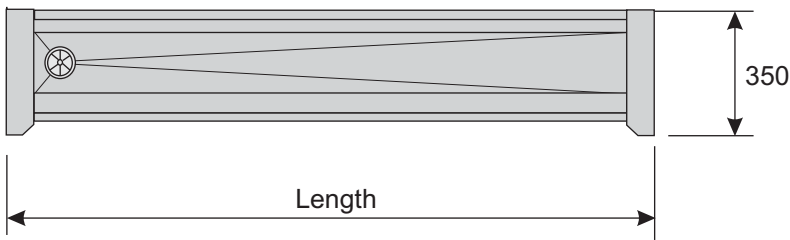
U03 - Floor Recessed Slab Urinal

Manufactured from 1.2mm thick grade 304, satin polished stainless steel, with polished end panels (suitable for wall or exposed installation), 50mm chromium-plated domed waste outlet (in a left, right or central position, white high impact polystyrene cistern and all necessary pipework, clips and fixings, unless ordered otherwise. Available in any length, up to 3000mm, allowing approximately 600mm per person. For lengths in excess of 3000mm or for corner installations, two or more separate urinals should be used, each with their own waste and cistern.

There are two types of flushing arrangements:

1/ Top inlet (TI) square spargepipe with exposed cistern.

2/ Back inlet (BI) spreaders with concealed cistern.



Optional Extras

J0795 Joint cover trim
C0796 Corner capping

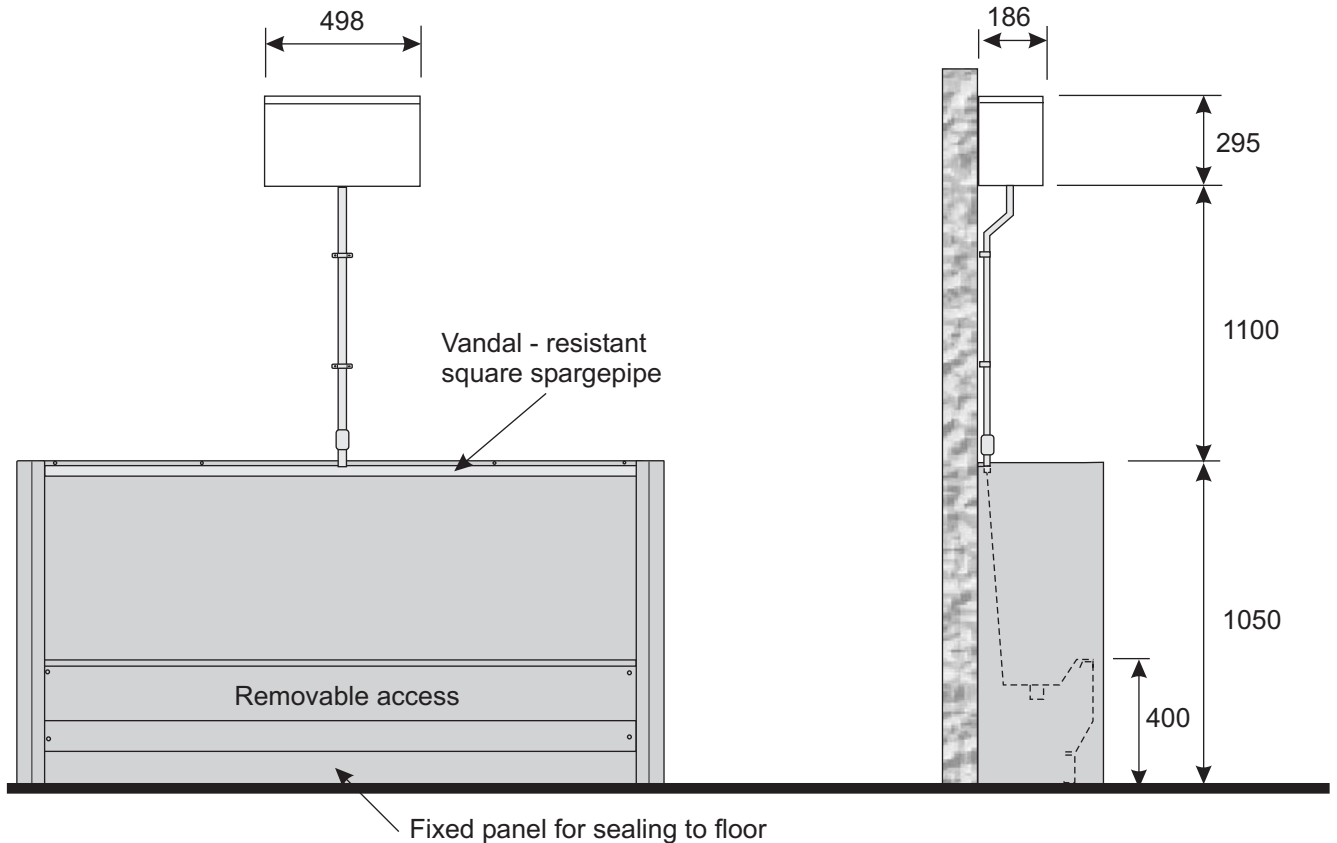
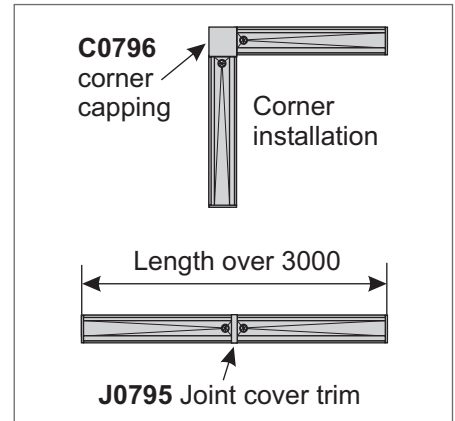
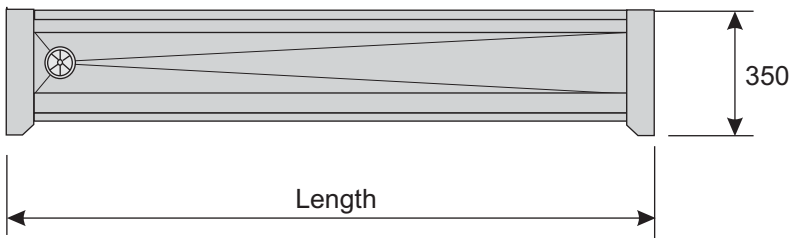
D0796 Downpipe Shroud
C0798 Stainless steel automatic cistern

U04 - Floor Standing Slab Urinal

Manufactured from 1.2mm thick grade 304, satin polished stainless steel, with polished end panels (suitable for wall or exposed installation), 38mm white plastic domed waste outlet (in a left, right or central position), white high impact polystyrene cistern and all necessary pipework, clips and fixings, unless ordered otherwise. Available in any length, up to 3000mm, allowing approximately 600mm per person. For lengths in excess of 3000mm or for corner installations, two or more separate urinals should be used, each with their own waste and cistern.

There are two types of flushing arrangements:

- 1/ Top inlet (TI) square spargepipe with exposed cistern.
- 2/ Back inlet (BI) spreaders with concealed cistern.



Optional Extras

- J0795** Joint cover trim
- C0796** Corner capping
- W1102** 50mm CP brass domed waste

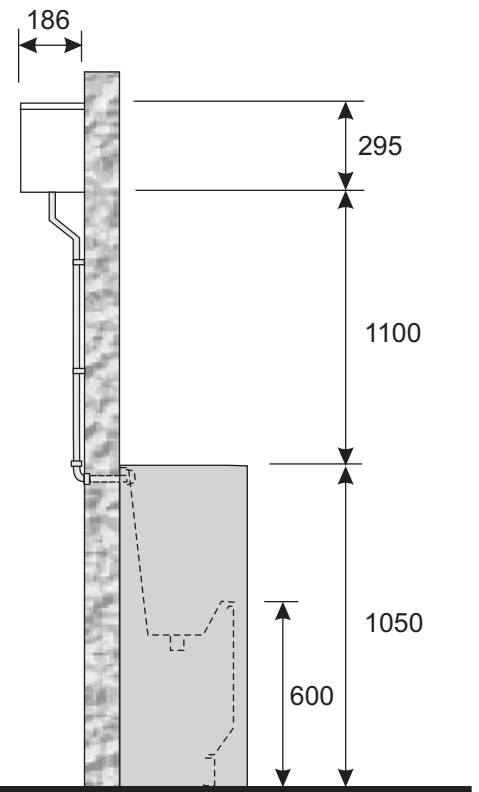
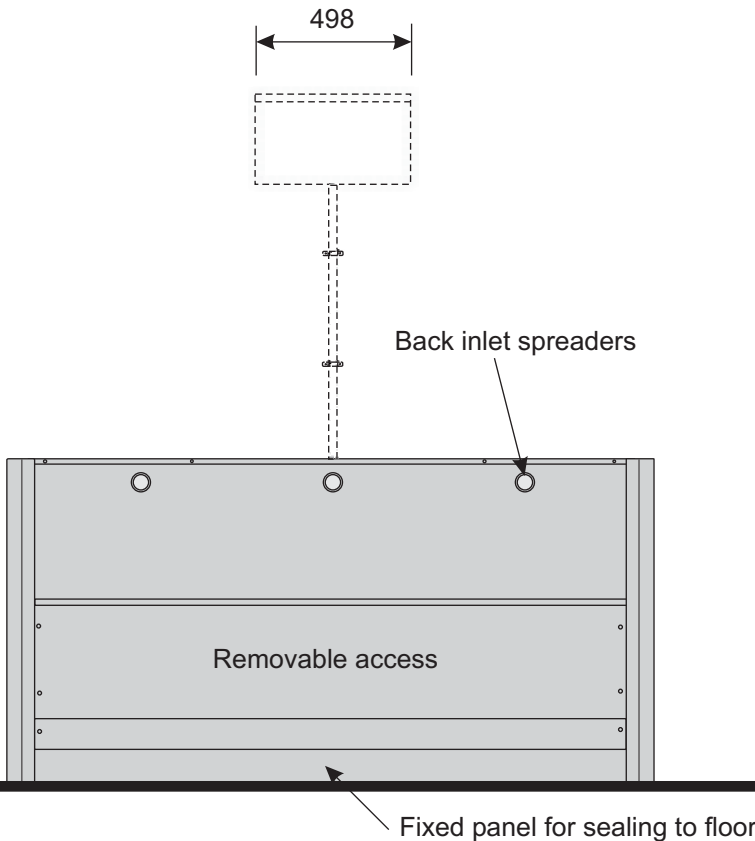
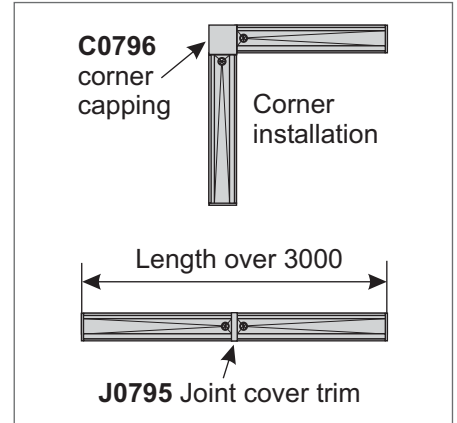
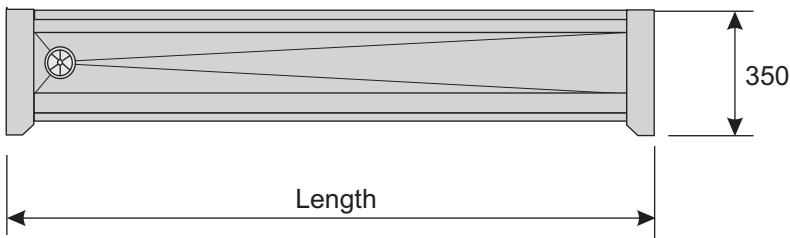
- D0796** Downpipe Shroud
- C0798** Stainless steel automatic cistern

U05 - Floor Standing Trough Urinal

Manufactured from 1.2mm thick grade 304, satin polished stainless steel, with polished end panels (suitable for wall or exposed installation), 38mm white plastic domed waste outlet (in a left, right or central position), white high impact polystyrene cistern and all necessary pipework, clips and fixings, unless ordered otherwise. Available in any length, up to 3000mm, allowing approximately 600mm per person. For lengths in excess of 3000mm or for corner installations, two or more separate urinals should be used, each with their own waste and cistern.

There are two types of flushing arrangements:

- 1/ Top inlet (TI) square spargepipe with exposed cistern.
- 2/ Back inlet (BI) spreaders with concealed cistern.



Optional Extras

- J0795** Joint cover trim
- C0796** Corner capping
- W1102** 50mm CP brass domed waste

- D0796** Downpipe Shroud
- C0798** Stainless steel automatic cistern

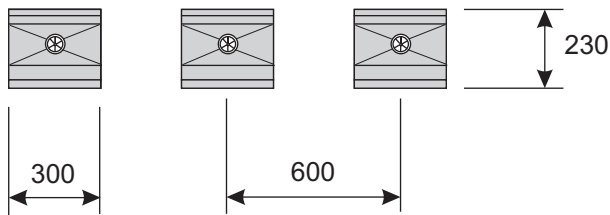
U06 - Bowl Urinal

Manufactured from 1.2mm thick grade 304, satin polished stainless steel, with 38mm white plastic domed waste outlet, white high impact polystyrene cistern and all necessary pipework, clips and fixings.

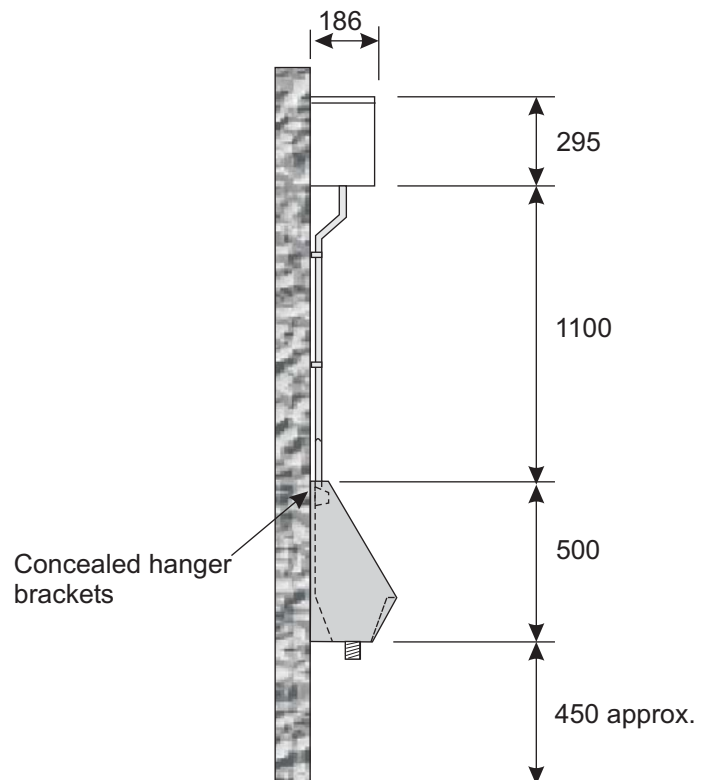
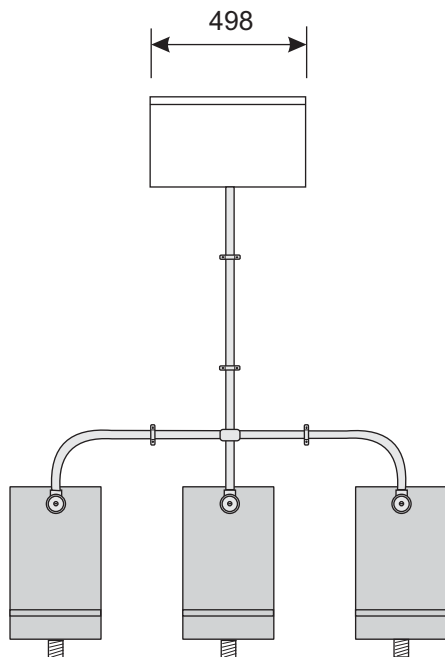
There are two basic types of flushing arrangements:

1/ Top inlet (TI) spreaders - for exposed cistern.

2/ Back inlet (BI) spreaders - for concealed cistern.



- U0601 - Range of one
- U0602 - Range of two
- U0603 - Range of three
- U0604 - Range of four
- U0605 - Range of five
- U0606 - Range of six



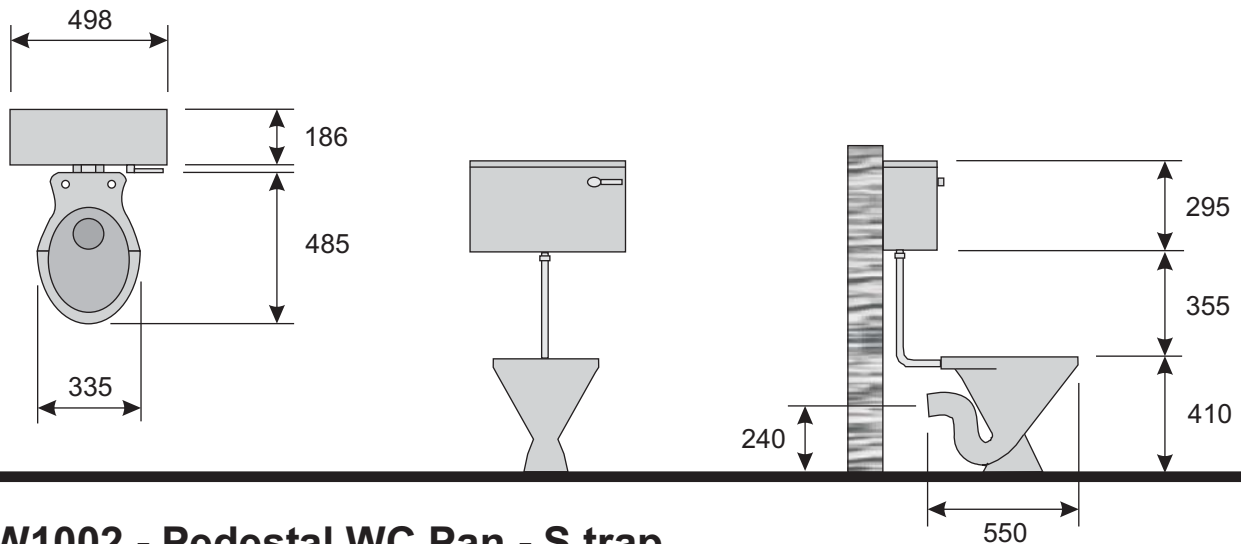
Optional Extras

C0798 Stainless steel automatic cistern

T0000 Trap Shroud

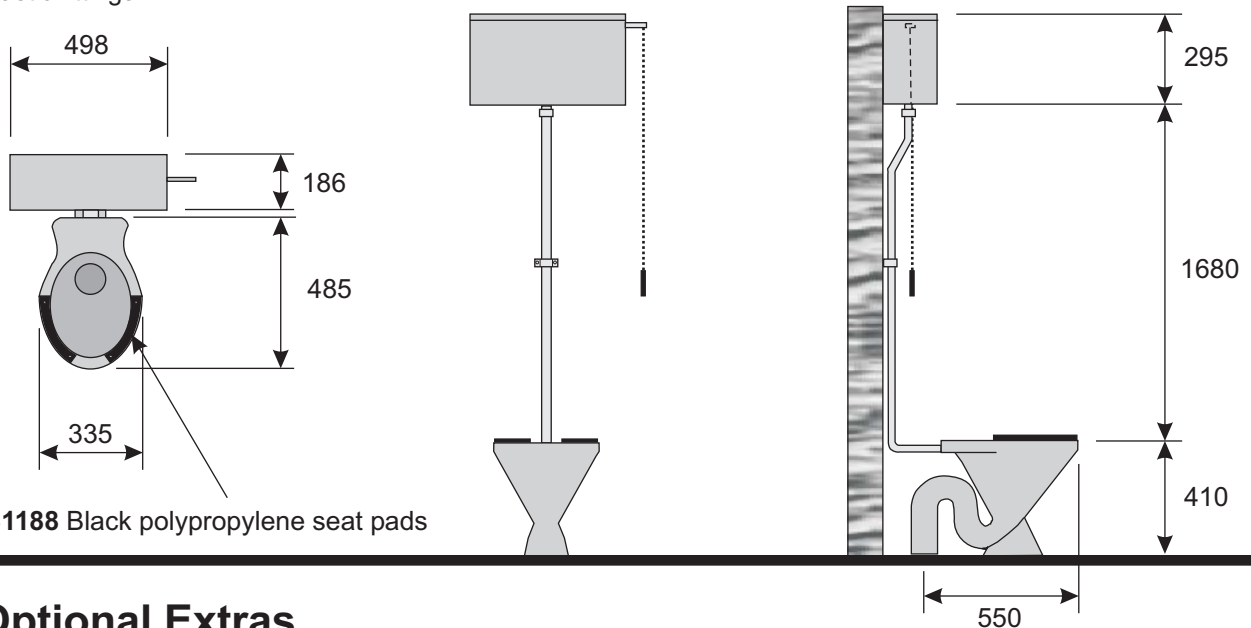
W1001 - Pedestal WC Pan - P trap C1195 - Low level cistern

The WC pan is manufactured from 1.6 and 2mm thick grade 304, satin polished stainless steel, with security flushing rim, 76/102mm diameter plastic pan connector and 38mm diameter flushpipe connection. The cistern and flushpipe (405x254mm) are manufactured from 1.2mm grade 304, satin polished stainless steel, with 7 litre plastic fittings.



W1002 - Pedestal WC Pan - S trap C1196 - High level cistern

The WC pan is manufactured from 1.6 and 2mm thick grade 304, satin polished stainless steel, with security flushing rim, 76/102mm diameter plastic pan connector and 38mm diameter flushpipe connection. The cistern and flushpipe (1680x254mm) are manufactured from 1.2mm grade 304, satin polished stainless steel, with 7 litre plastic fittings.



S1188 Black polypropylene seat pads

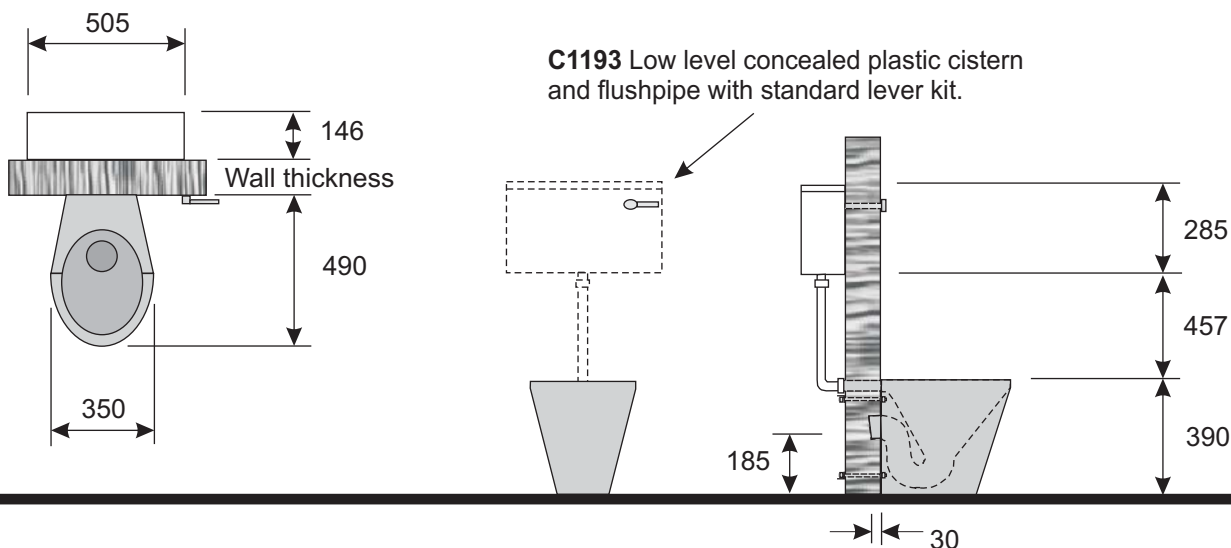
Optional Extras

W1099 Black plastic seat and cover
S1187 Stainless steel WC seat hinges
D0100 Disabled plinth - 50mm high

S1188 Black polypropylene seat pads
C1197 Disabled cistern lever
W103 Stainless steel clad WC Cubicles

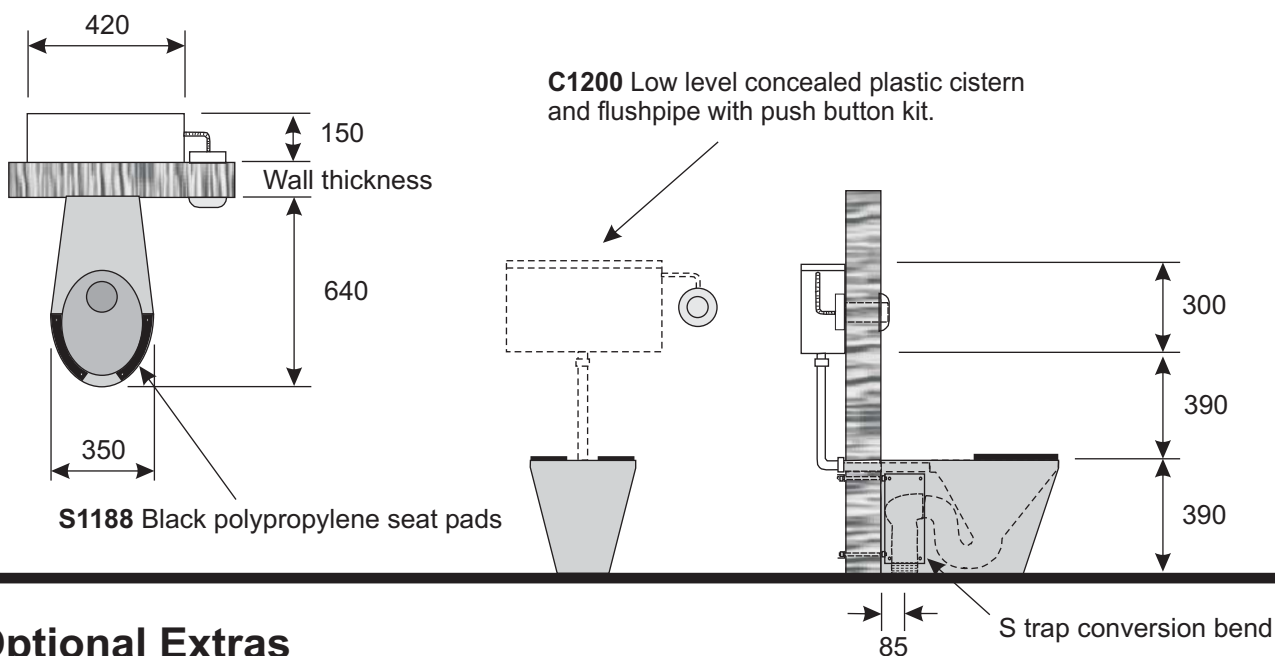
W1003 - Shrouded WC Pan - P trap

Manufactured from 1.6 and 2mm thick grade 304, satin polished stainless steel, with security flushing rim, 76/102mm diameter plastic pan connector, 38mm diameter flushpipe connection and four M8 fixing bolts & angles.



W1004 - Shrouded WC Pan - S trap

Manufactured from 1.6 and 2mm thick grade 304, satin polished stainless steel, with security flushing rim, 76/102mm diameter plastic pan connector, 38mm diameter flushpipe connection and four M8 fixing bolts & angles.

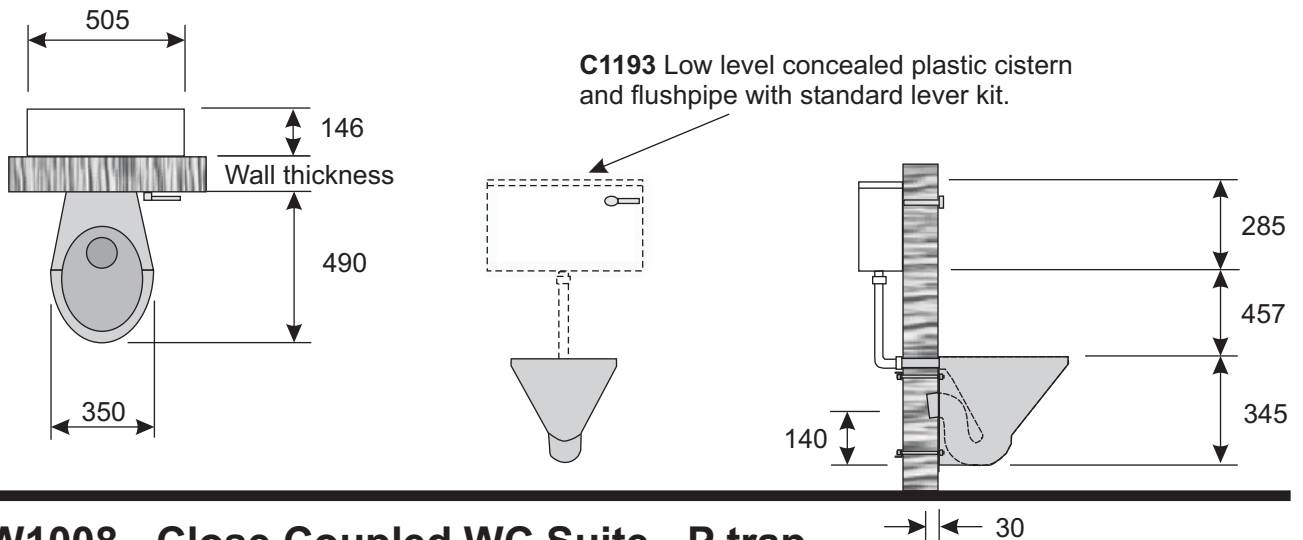


Optional Extras

- | | |
|---|--|
| S1188 Black polypropylene seat pads | C1193 Low level concealed plastic cistern and flushpipe with standard lever kit. Please specify wall thickness |
| W1099 Black plastic seat and cover | C1200 Low level concealed plastic cistern and flushpipe with pneumatic push button kit. Please specify wall thickness |
| S1187 Stainless steel WC seat hinges | W103 Stainless steel clad WC Cubicles |
| R1186 Rear extension box (to allow conversion of P trap pan into S trap using plastic conversion bend) | |
| F1192 Floor or wall fixing flanges | |

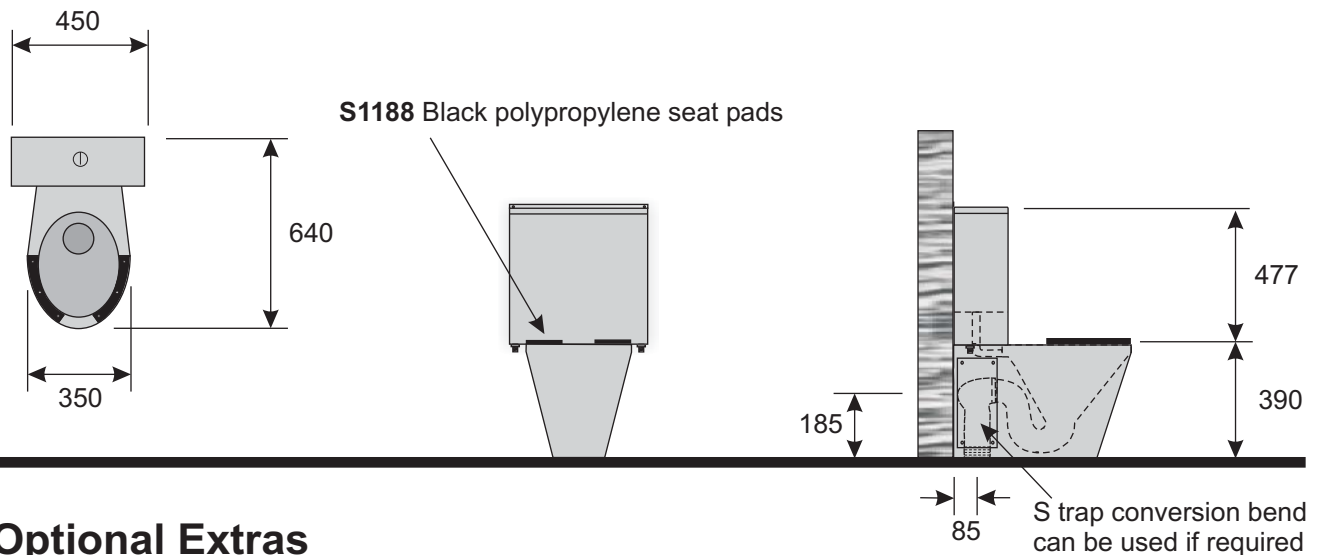
W1005 - Wall Mounted WC Pan - P trap

Manufactured from 1.6 and 2mm thick grade 304, satin polished stainless steel, with security flushing rim, 76/102mm diameter plastic pan connector, 38mm diameter flushpipe connection, loose backplate and four M8 fixing bolts & angles.



W1008 - Close Coupled WC Suite - P trap

The pan is manufactured from 1.6 and 2mm thick grade 304, satin polished stainless steel, with security flushing rim, 76/102mm diameter plastic pan connector, 38mm diameter flushpipe connection and four M8 fixing bolts & angles. The cistern is manufactured from 1.2 mm thick grade 304, satin polished stainless steel and is fitted with a recessed push button dual flush and bottom connections for the supply and overflow (unless specified otherwise).



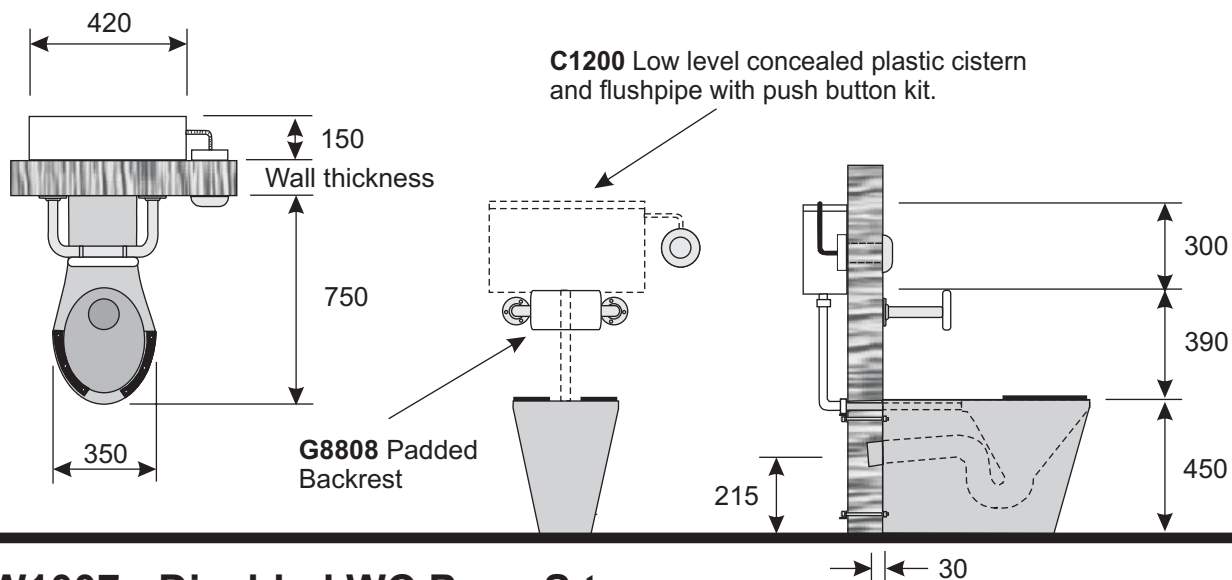
Optional Extras

- S1188** Black polypropylene seat pads
- W1099** Black plastic seat and cover
- S1187** Stainless steel WC seat hinges
- C1193** Low level concealed plastic cistern and flushpipe with standard lever kit. Please specify wall thickness

- C1200** Low level concealed plastic cistern and flushpipe with pneumatic push button kit. Please specify wall thickness.
- W103** Stainless steel clad WC Cubicles

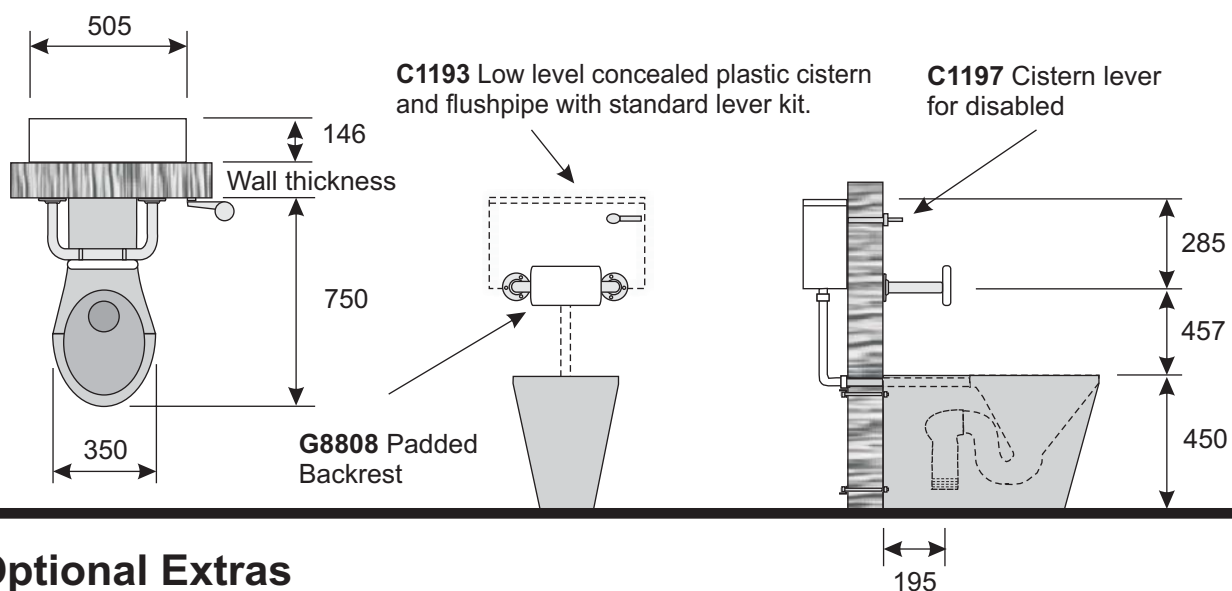
W1006 - Disabled WC Pan - P trap

Manufactured from 1.6 and 2mm thick grade 304, satin polished stainless steel, with security flushing rim, 76/102mm diameter plastic pan connector, 38mm diameter flushpipe connection and four M8 fixing bolts & angles.



W1007 - Disabled WC Pan - S trap

Manufactured from 1.6 and 2mm thick grade 304, satin polished stainless steel, with security flushing rim, 76/102mm diameter plastic pan connector, 38mm diameter flushpipe connection and four M8 fixing bolts & angles.

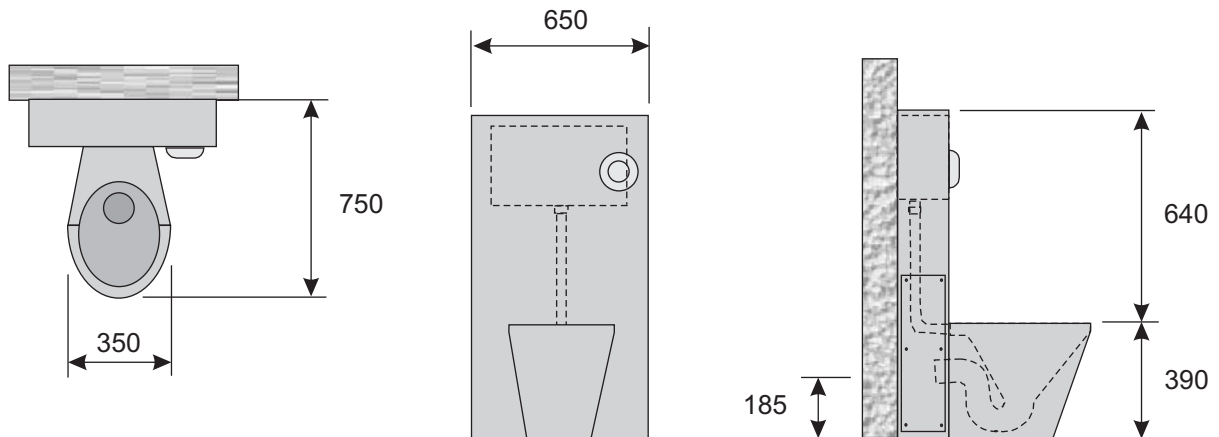


Optional Extras

- | | |
|--|--|
| <ul style="list-style-type: none"> S1188 Black polypropylene seat pads W1099 Black plastic seat and cover S1187 Stainless steel WC seat hinges F1192 Floor and/or wall fixing flanges C1193 Low level concealed plastic cistern and flushpipe with standard lever kit. Please specify wall thickness | <ul style="list-style-type: none"> C1193 Low level concealed plastic cistern and flushpipe with standard lever kit. Please specify wall thickness C1200 Low level concealed plastic cistern and flushpipe with pneumatic push button kit. Please specify wall thickness C1197 Cistern lever for disabled |
|--|--|

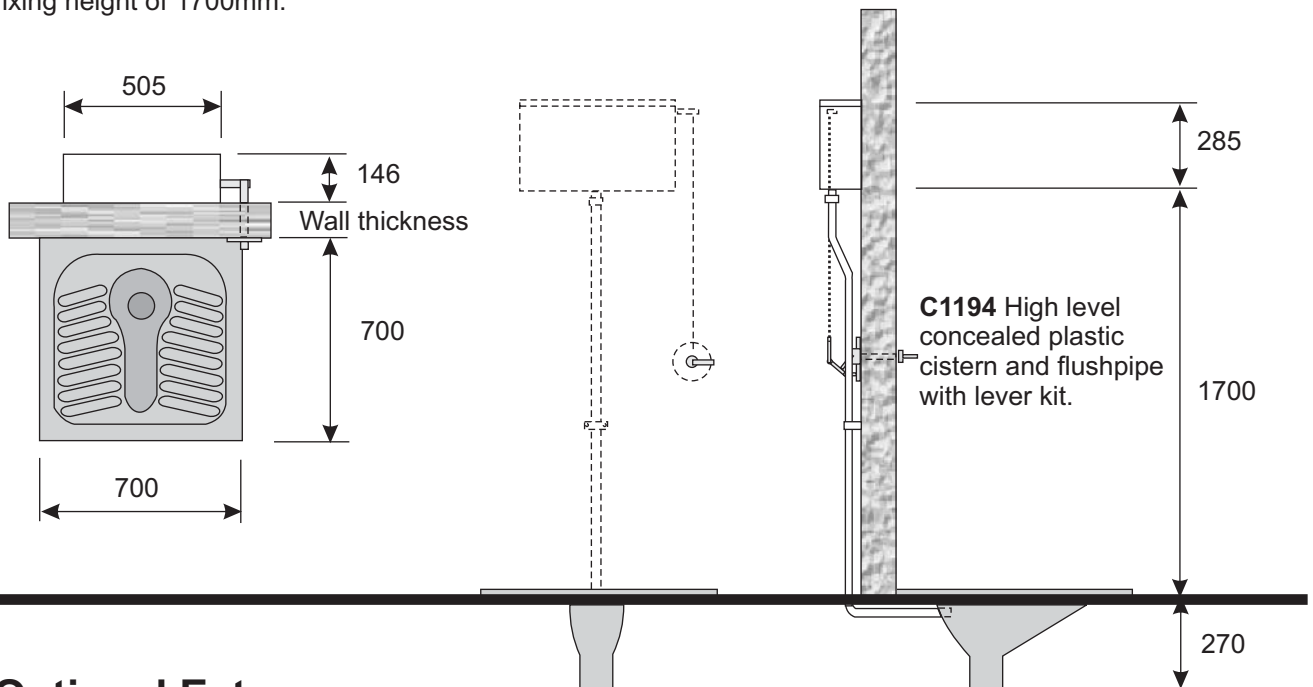
W1010 - Rear Panelled WC Suite - P trap

The pan is manufactured from 1.6 and 2mm thick grade 304, satin polished stainless steel, with security flushing rim and 76/102mm diameter plastic pan connector (or an S trap plastic conversion bend can be supplied on request) The rear panel is manufactured from 1.2mm thick, satin polished stainless steel and includes a 7.5 litre dual flush cistern and has removable access panels for fixing and making the plumbing connections.



W1011 - Squatting WC Pan - spigot outlet

Manufactured from 1.6mm thick grade 304, satin polished stainless steel, with 38mm back inlet flushing spreader and 110mm diameter spigot drainage outlet. A high level cistern must be used, at the recommended fixing height of 1700mm.



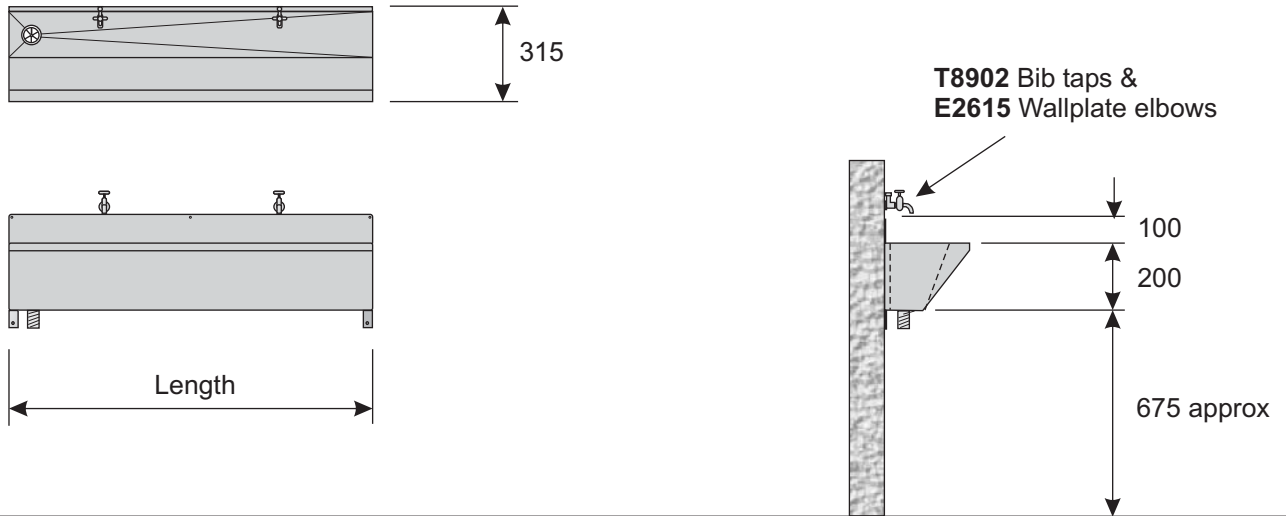
Optional Extras

- S1188** Black polypropylene seat pads
- W1099** Black plastic seat and cover
- S1187** Stainless steel WC seat hinges
- F1192** Floor and/or wall flanges
- W103** Stainless steel clad WC Cubicles

- C1194** High level concealed plastic cistern and flushpipe with standard lever kit. Please specify wall thickness
- C1200** Low level concealed plastic cistern and flushpipe with pneumatic push button kit. Please specify wall thickness

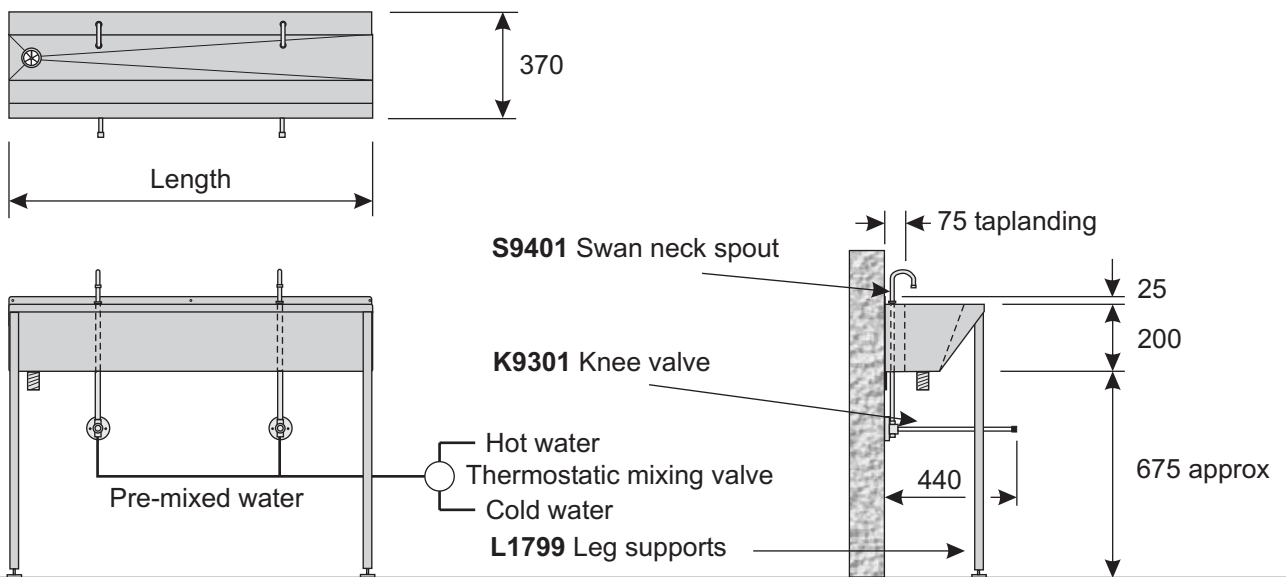
W13 - Contract Washtrough

Manufactured from 1.2mm thick grade 304, satin polished stainless steel, supplied with brackets and 38mm plastic grated waste (in a left, right or central position). Suitable for use with wall-mounted taps, using pre-mixed water. Available in any length, up to 3000mm, allowing approximately 600mm per person.



W14 - Taplanding Washtrough

Manufactured from 1.2mm thick grade 304, satin polished stainless steel, supplied with brackets and 38mm plastic grated waste (in a left, right or central position). Suitable for use with deck-mounted taps or spouts, using pre-mixed water. Available in any length, up to 3000mm, allowing approximately 600mm per person.



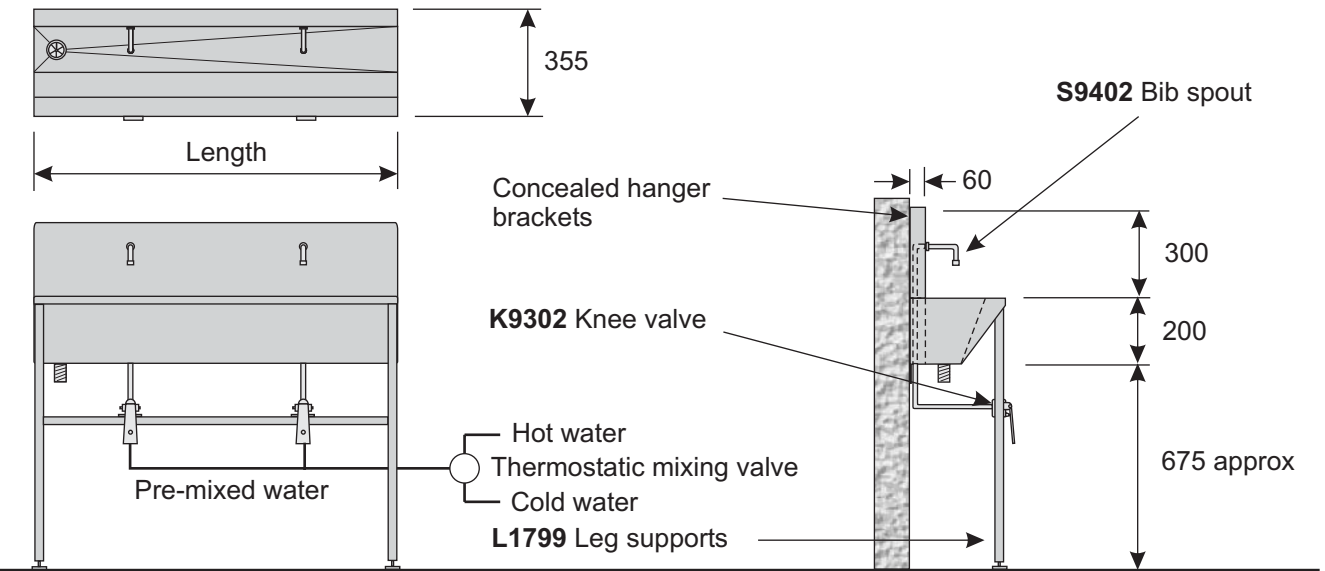
Optional Extras

- S17** Loose splashback 300mm high
- L1799** Stainless steel leg supports
- T8902** Cross head BS5412 bib tap
- E2615** Wallplate elbow
- S9401** Swan neck spout
- T9622** Thermostatic mixing valve 22mm

- K9301** Knee operated valve - wall-mounted with 20 second timed delay
- K9302** Knee operated valve - frame mounted, non concussive
- F9304** Foot operated valve - non concussive

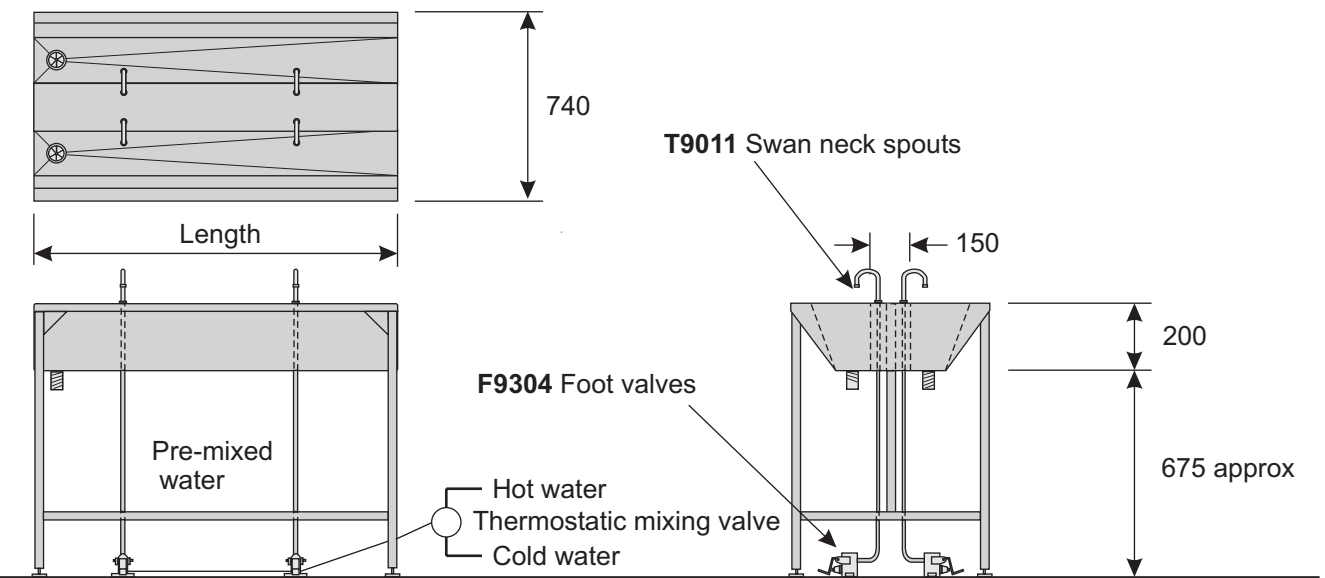
W15 - Splashback Washtrough

Manufactured from 1.2mm thick grade 304, satin polished stainless steel, supplied with brackets and 38mm plastic grated waste (in a left, right or central position). Suitable for use with bib spouts, using pre-mixed water. Available in any length, up to 3000mm, allowing approximately 600mm per person.



W16 - Island Washtrough

Manufactured from 1.2mm thick grade 304, satin polished stainless steel, supplied with 30mm square tubular stainless steel stand and 38mm plastic grated waste (in a left, right or central position). Suitable for use with deck-mounted taps or spouts, using pre-mixed water. Available in any length, up to 3000mm, allowing approximately 600mm per person.



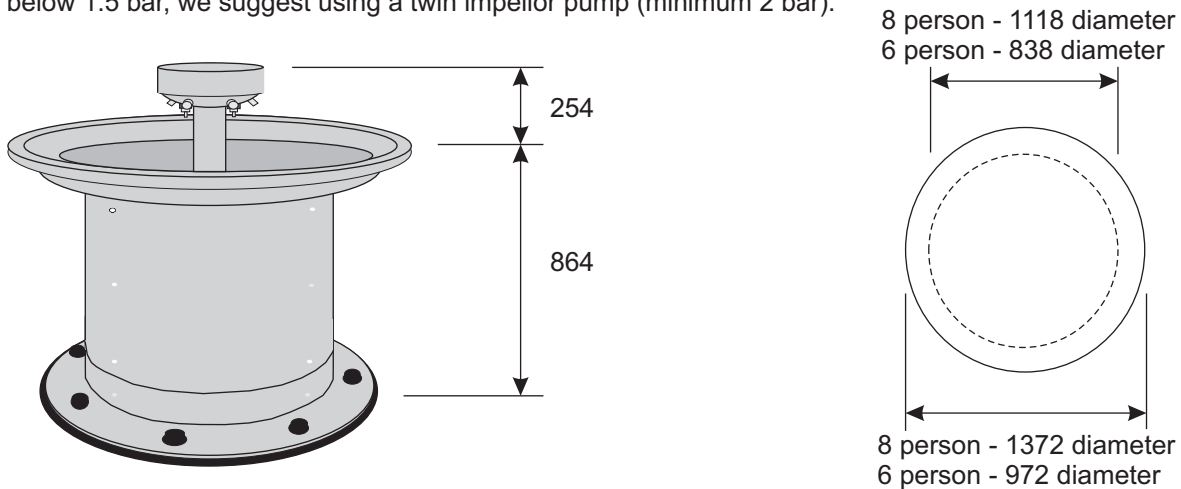
Optional Extras

| | | | |
|--------------|--------------------------------|--------------|---|
| S17 | Central splashback 300mm high | K9301 | Knee operated valve - wall-mounted with 20 second delay |
| L1799 | Stainless steel leg supports | K9302 | Knee operated valve - frame mounted, non concussive |
| S9401 | Swan neck spout | F9304 | Foot operated valve - non concussive |
| S9402 | Bib spout | | |
| T9622 | Thermostatic mixing valve 22mm | | |

W1701 - Foot-operated Washfountain (8 person)

W1702 - Foot-operated Washfountain (6 person)

Manufactured from 1.2/1.5mm thick grade 304, satin polished stainless steel and supplied fully assembled with a liquid soap dispenser built into the spray head assembly. The individual foot operated valves activate water as long as the push button is depressed. The waste connection is via a 38mm plain spigot and the connections to the thermostatic mixing valve (with combined isolating and strainer valves) is via 1/2" BSP female threads. Hot and cold water supply pipes should be a minimum of 28mm diameter reducing in size within the pedestal for connection to the 1/2" BSP connections. Water pressure needs to be a minimum of 1.5bar (22 psi), but should not exceed 7 bar (101 psi), otherwise a pressure reducing valve should be used. When the pressure is below 1.5 bar, we suggest using a twin impellor pump (minimum 2 bar).



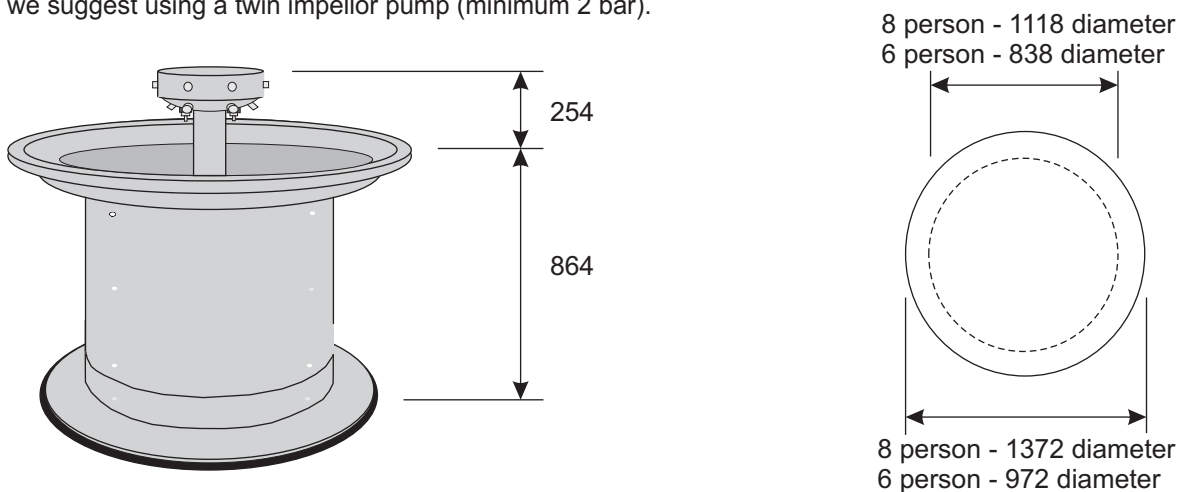
W1703 - Hand-operated Washfountain (8 person)

W1704 - Hand-operated Washfountain (6 person)

W1705 - Sensor-operated Washfountain (8 person)

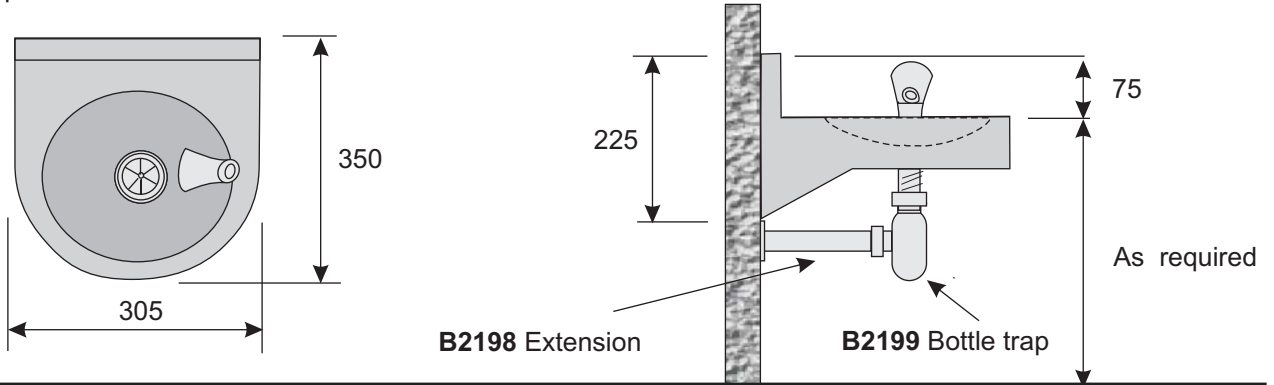
W1706 - Sensor-operated Washfountain (6 person)

Manufactured from 1.2/1.5mm thick grade 304, satin polished stainless steel and supplied fully assembled with a liquid soap dispenser built into the spray head assembly. The individual hand or sensor operated valves activate water for between 5 and 60 seconds (subject to adjustment). The waste connection is via a 38mm plain spigot and the connections to the thermostatic mixing valve (with combined isolating and strainer valves) is via 1/2" BSP female threads. Hot and cold water supply pipes should be a minimum of 28mm diameter reducing in size within the pedestal for connection to the 1/2" BSP connections. Water pressure needs to be a minimum of 1.5bar (22psi), but should not exceed 7 bar (101psi), otherwise a pressure reducing valve should be used. When the pressure is less than 1.5 bar, we suggest using a twin impellor pump (minimum 2 bar).



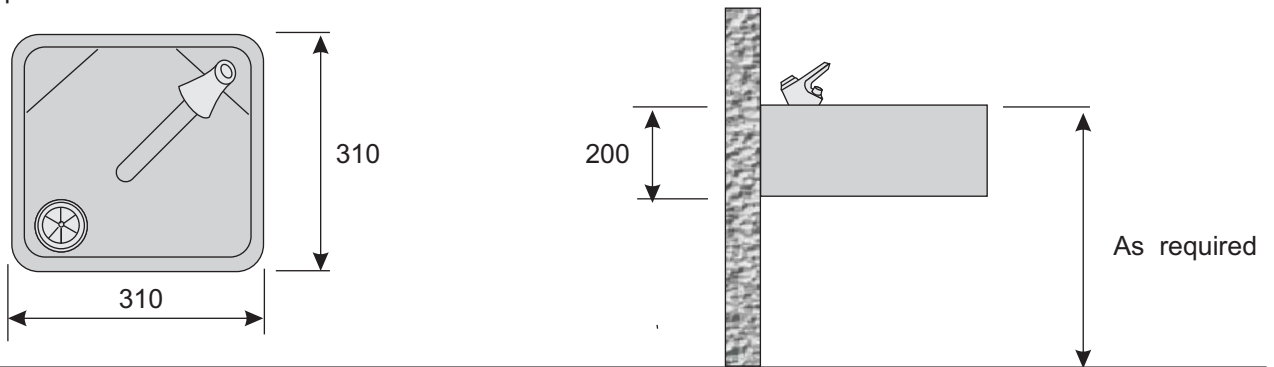
D2001 - Standard Drinking Fountain

Manufactured from 1.2mm thick grade 304, bright polished stainless steel, supplied with integral bracket, 32mm plastic grated waste and chromium plated brass bubbler with push-button control and 15mm compression inlet.



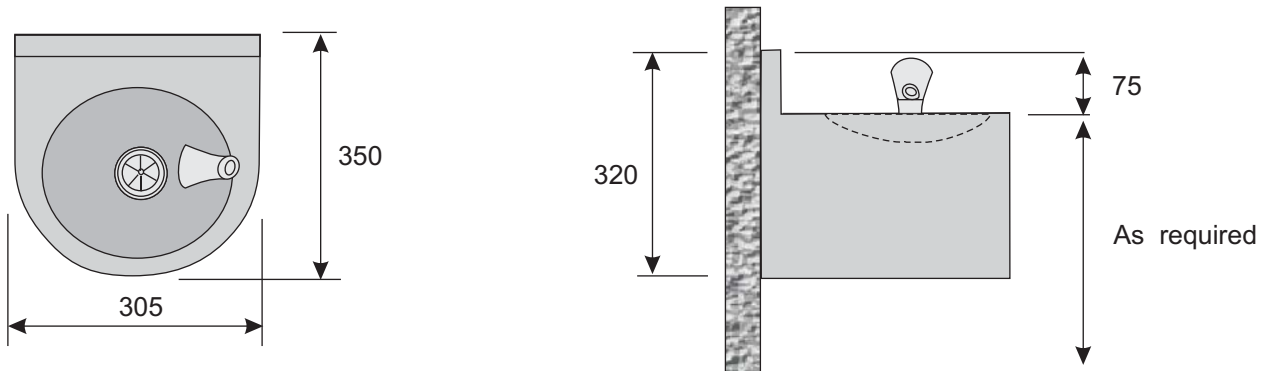
D2001 - Square Drinking Fountain

Manufactured from 1.2mm thick grade 304, bright polished stainless steel, supplied with integral bracket, 32mm plastic grated waste and chromium plated brass bubbler with push-button control and 15mm compression inlet.



D2002 - Shrouded Drinking Fountain

Manufactured from 1.2mm thick grade 304, bright polished stainless steel, supplied with removable shroud, 32mm plastic grated waste and chromium plated brass bubbler with push-button control and 15mm compression inlet. A **D2002F** is available with a shroud to the floor.



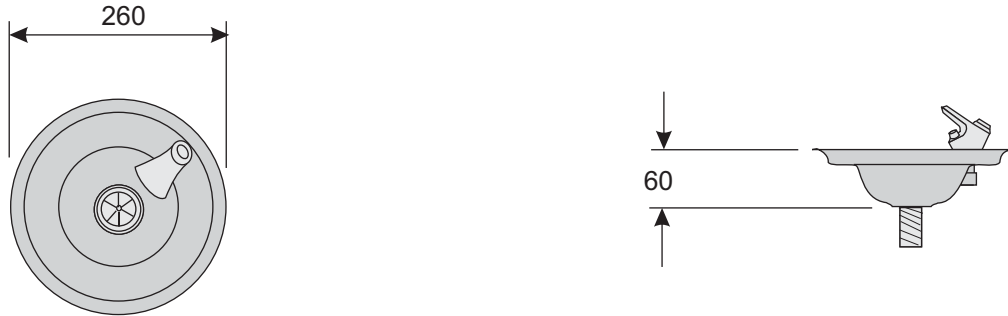
Optional Extras

Carafe filler can be supplied in lieu of Bubbler
B2199 Chromium plated brass bottle trap

B2198 Chromium plated brass 200mm long extension and wall flange

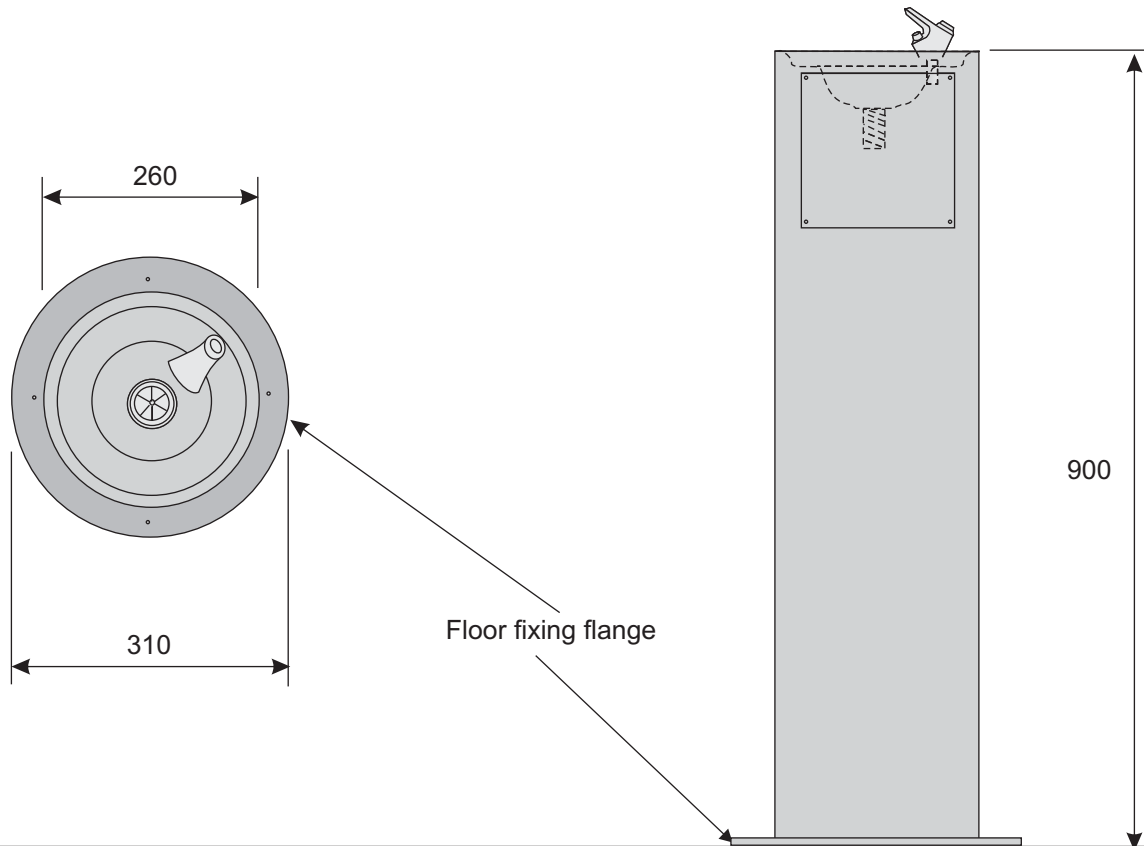
D2003 - Inset Drinking Fountain

Manufactured from 1.2mm thick grade 304, satin polished stainless steel, supplied with 32mm plastic grated waste and chromium plated brass bubbler with push-button control and 15mm compression inlet.



D2004 - Round Pedestal Drinking Fountain

Manufactured from 1.2mm thick grade 304, satin polished stainless steel, supplied with removable access, floor fixing flange, 32mm plastic grated waste and chromium plated brass bubbler with push-button control and 15mm compression inlet.



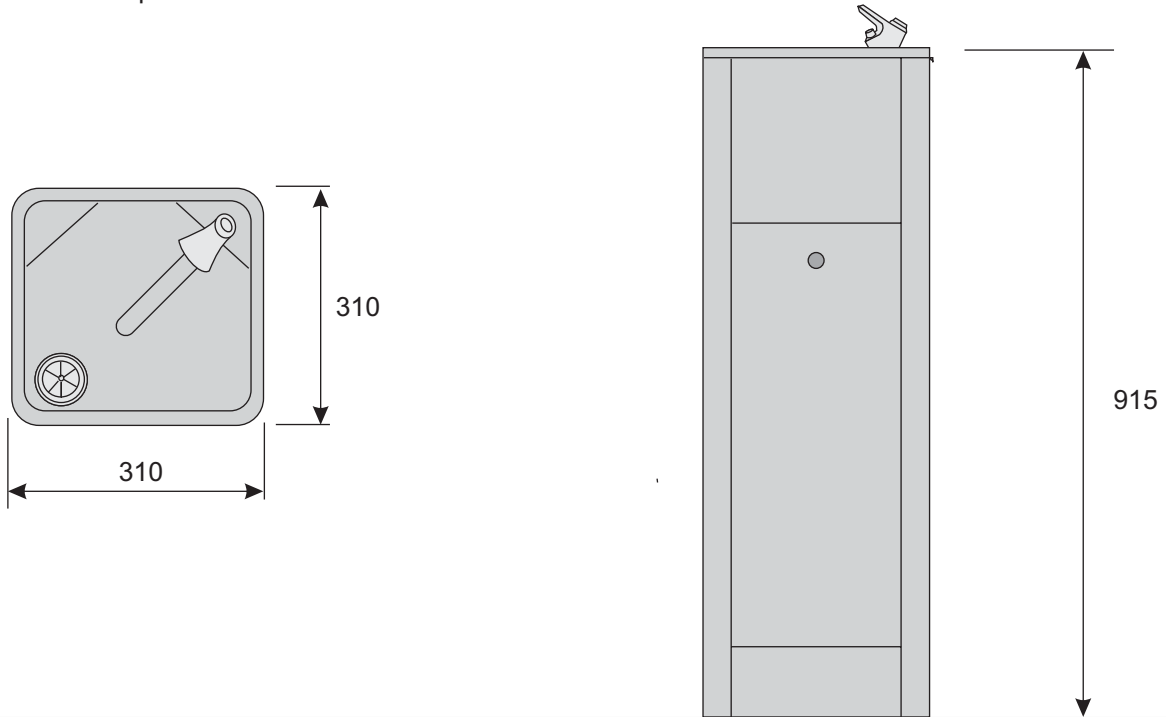
Optional Extras

B2199 Chromium plated brass bottle trap

B2198 Chromium plated brass 200mm long extension tube and wall flange

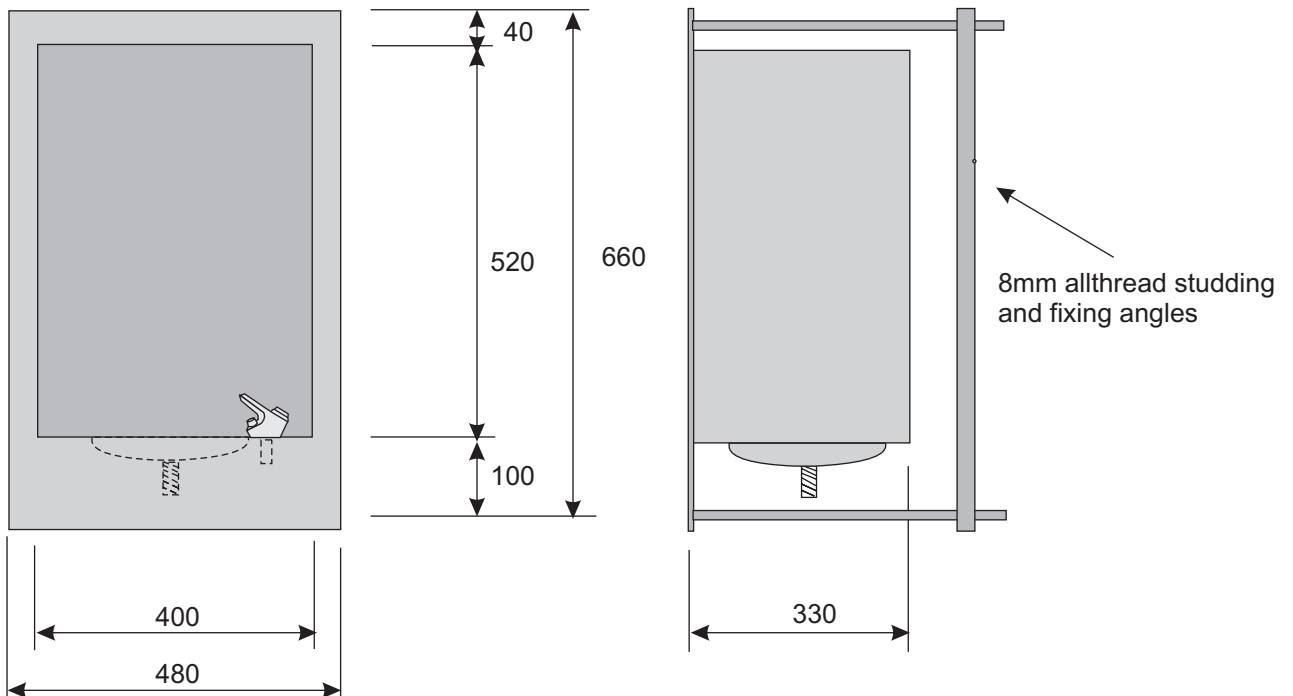
D2004 - Square Pedestal Drinking Fountain

Manufactured from 1.2mm thick grade 304, satin polished stainless steel, supplied with removable access, floor fixing flange, 32mm plastic grated waste and chromium plated brass bubbler with push-button control and 15mm compression inlet.



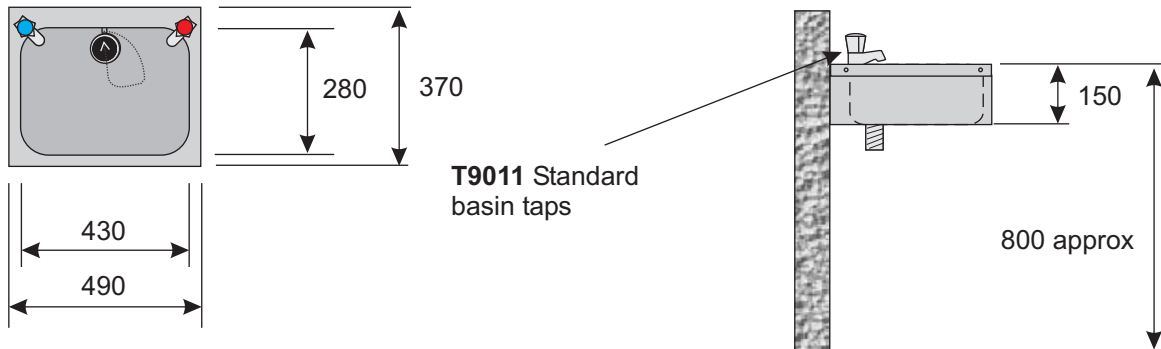
D2005 - Wall-recessed Drinking Fountain

Manufactured from 1.2mm thick grade 304, satin polished stainless steel, supplied with 32mm plastic grated waste and chromium plated brass bubbler with push-button control and 15mm compression inlet.



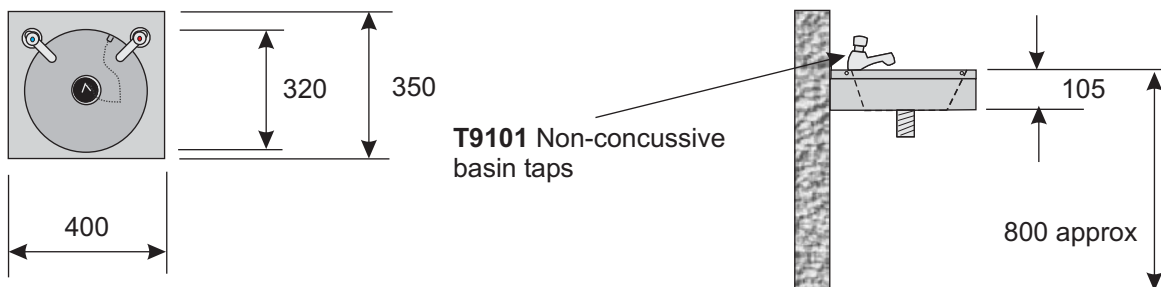
B1201 - Standard Basin

Manufactured from 1mm thick grade 304, satin polished stainless steel, supplied with valance bracket, two tapholes and 32mm combined waste and overflow assembly.



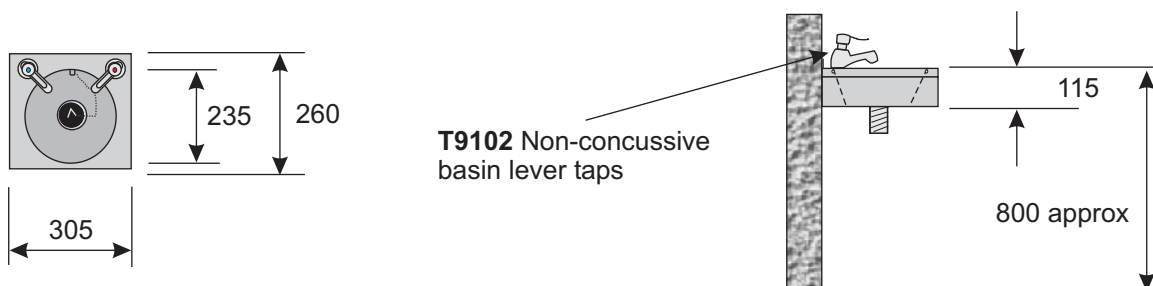
B1202 - Small Basin

Manufactured from 1mm thick grade 304, bright polished stainless steel, supplied with valance bracket, two tapholes and 32mm combined waste and overflow assembly.



B1203 - Mini Basin

Manufactured from 1mm thick grade 304, bright polished stainless steel, supplied with valance bracket, two tapholes and 32mm waste, plug and chain (or combined waste and overflow assembly, on request).

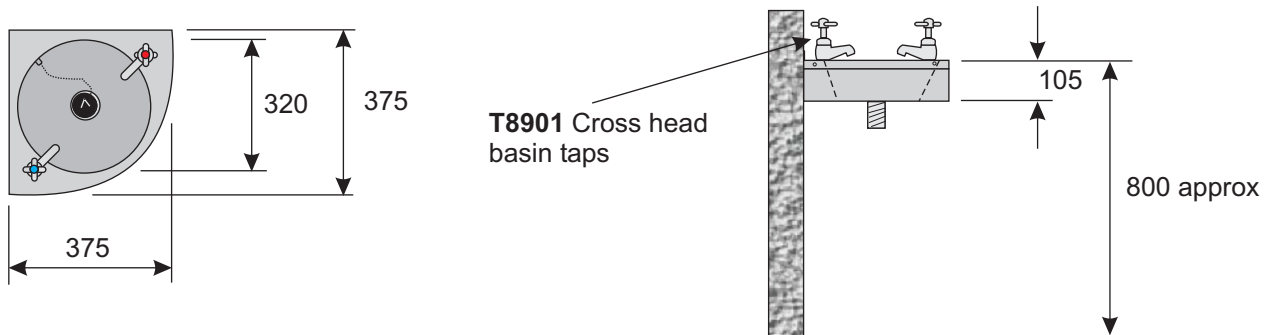


Optional Extras

- | | | | |
|--------------|---------------------------------------|--------------|---|
| L1298 | Stainless steel leg supports 700 high | T9102 | Non-concussive basin lever taps |
| L1298 | Stainless steel leg supports 900 high | T9201 | Quarter turn 75mm lever basin taps |
| U1399 | Undershield (400mm deep) | T9211 | Quarter turn 150mm lever basin taps |
| U1398 | Undershield to floor | K9301 | Knee-operated Valve - wall mounted with 20 second delay |
| T8901 | Cross head BS5412 basin taps | S9401 | Swan neck spout |
| T9011 | Standard BS5412 basin taps | T9622 | Thermostatic mixing valve 22mm |
| T9101 | Non-concussive basin taps | | |

B1204 - Corner Basin

Manufactured from 1mm thick grade 304, satin polished stainless steel, supplied with valance bracket, two tapholes and 32mm combined waste and overflow assembly.



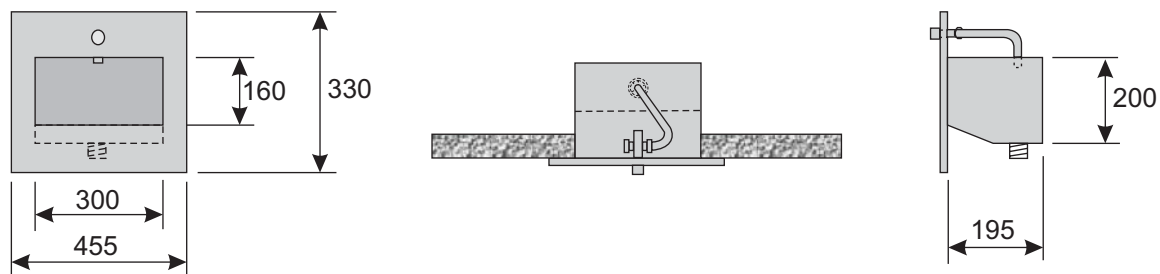
B1206 - Circular Inset Basin

Manufactured from 1mm thick grade 304, satin polished stainless steel, supplied with 60mm long stud bolts, two tapholes and 32mm combined waste and overflow assembly.



B1207 - Wall Recessed Basin

Manufactured from 1.2mm thick grade 304, satin polished stainless steel, supplied with CP brass push-button timed flow control valve, CP brass nozzle, four M8 fixing bolts and 32mm plastic flush grated waste.



Optional Extras

T8901 Cross head BS5412 basin taps
T9011 Standard BS5412 basin taps
T9101 Non-concussive basin taps

T9102 Non-concussive basin lever taps
T9201 Quarter turn 75mm lever basin taps
T9211 Quarter turn 150mm lever basin taps

B1205 - Oval Inset Basin

Manufactured from 1mm thick grade 304, mirror polished stainless steel, supplied with one taphole and 32mm combined waste and overflow assembly.



V1051 - Oval Inset Vanity Bowl

Manufactured from 1mm thick grade 304, mirror polished stainless steel, supplied with 32mm waste and plug.



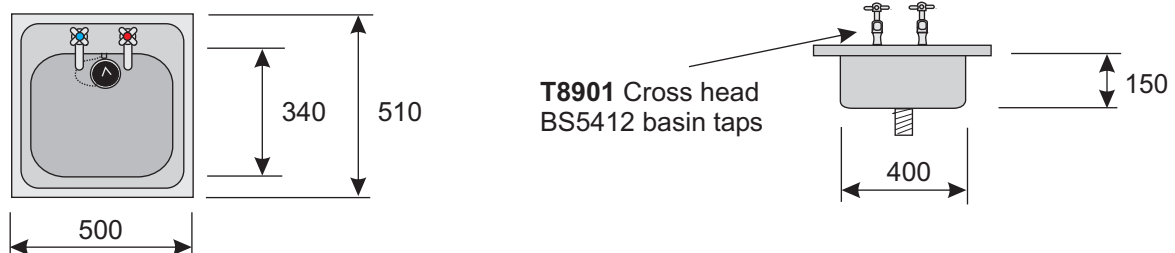
B1299 - Inset Sink Bowl

Manufactured from 1mm thick grade 304, bright polished stainless steel, supplied with 38mm combined waste and overflow assembly.



B1300 - Inset Sink Bowl

Manufactured from 1mm thick grade 304, bright polished stainless steel, supplied with two tapholes and 38mm combined waste and overflow assembly.



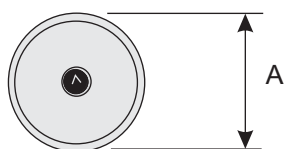
Optional Extras

T8901 Cross head BS5412 basin taps
T9011 Standard BS5412 basin taps
T9101 Non-concussive basin taps

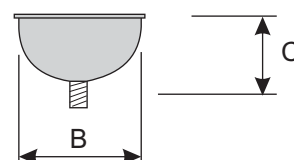
T9102 Non-concussive basin lever taps
T9201 Quarter turn 75mm lever basin taps
T9211 Quarter turn 150mm lever basin taps

Vanity Bowls

Manufactured from 1mm thick grade 304, mirror polished stainless steel, supplied with 32mm waste and plug.

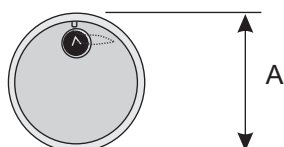


| | A | B | C |
|--------------|-----|-----|-----|
| V1023 | 230 | 200 | 115 |
| V1029 | 290 | 260 | 130 |
| V1033 | 330 | 300 | 140 |
| V1039 | 390 | 360 | 150 |
| V1046 | 460 | 420 | 160 |

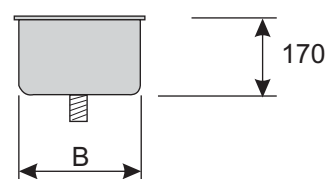


Circular Inset Bowls

Manufactured from 1mm thick grade 304, bright polished stainless steel, supplied with 38mm combined waste and overflow assembly (or no overflow, on request).

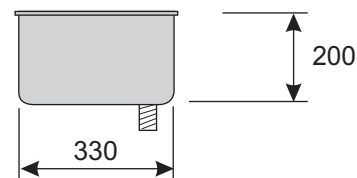
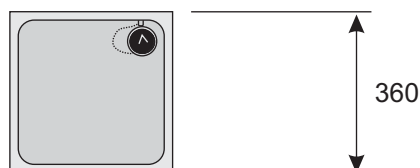


| | A | B |
|--------------|-----|-----|
| B1229 | 290 | 260 |
| B1233 | 330 | 300 |
| B1239 | 390 | 360 |
| B1246 | 460 | 420 |



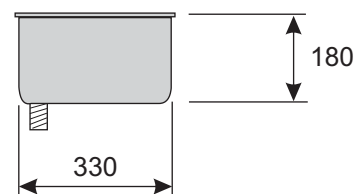
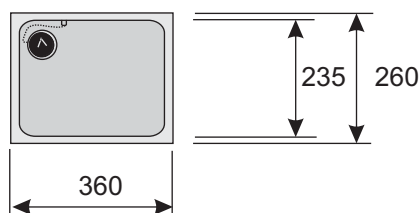
B1222 - Square Inset Bowl

Manufactured from 1mm thick grade 304, bright polished stainless steel, supplied with 38mm combined waste and overflow assembly (or no overflow, on request).



B1224 - Rectangular Inset Bowl

Manufactured from 1mm thick grade 304, bright polished stainless steel, supplied with 38mm combined waste and overflow assembly (or no overflow, on request).



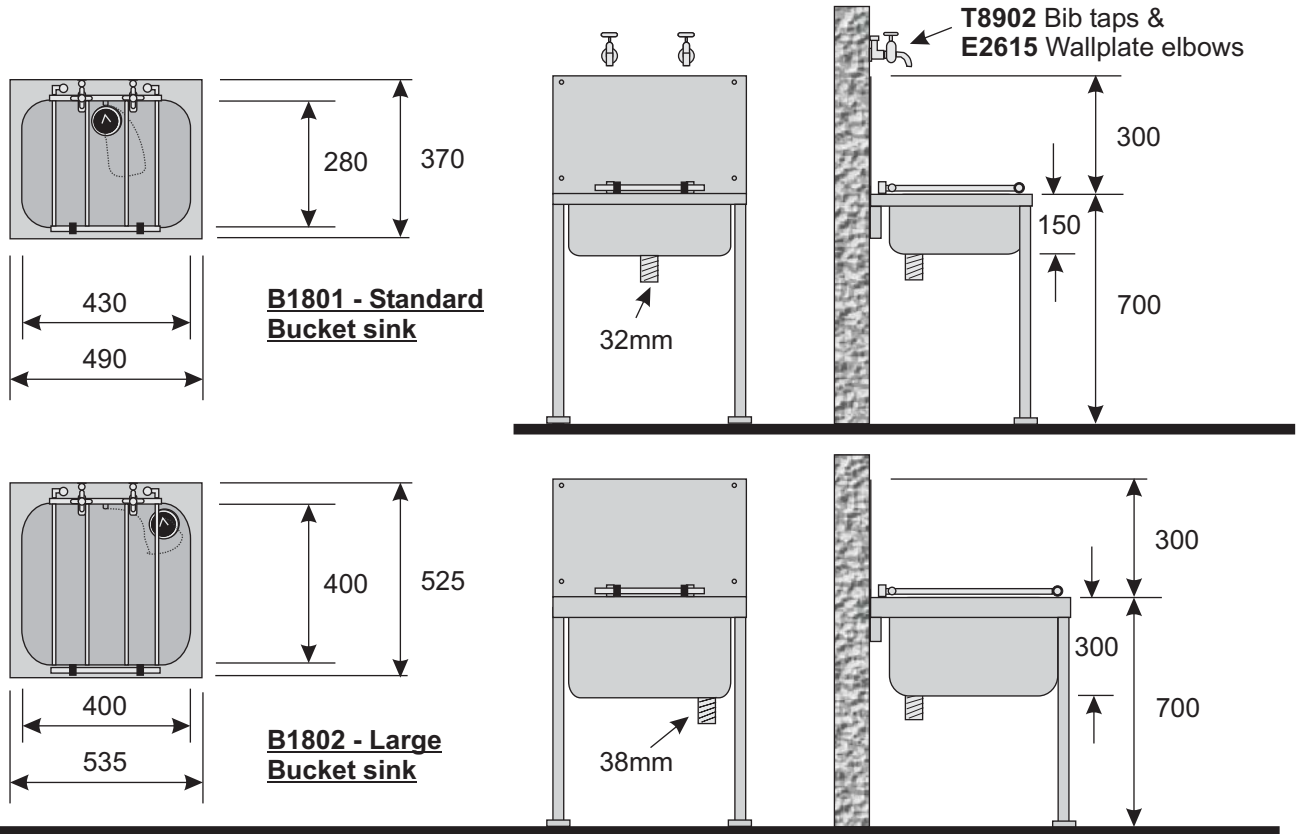
Optional Extras

- T8901** Cross head BS5412 basin taps
- T8903** Cross head BS5412 sink taps
- T9011** Standard BS5412 basin taps
- T9012** Standard BS5412 sink taps
- T9101** Non-concussive basin taps

- T9102** Non-concussive basin lever taps
- T9201** Quarter turn 75mm lever basin taps
- T9202** Quarter turn 75mm lever sink taps
- T9211** Quarter turn 150mm lever basin taps
- T9212** Quarter turn 150mm lever sink taps

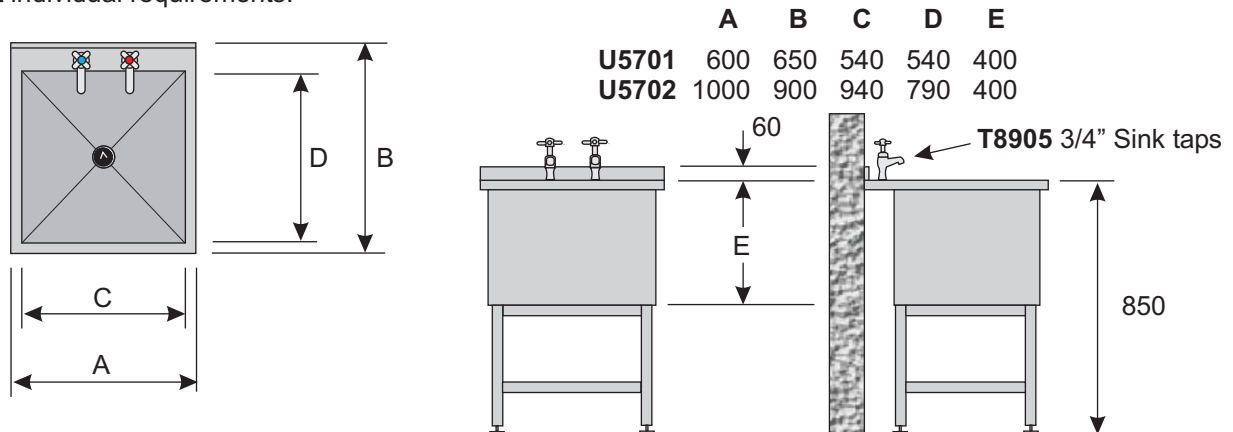
Bucket Sinks

Manufactured from 1mm thick grade 304, satin polished stainless steel, supplied with brackets, legs, splashback, hinged bucket grating and combined waste and overflow assembly.



Utility Sinks

Manufactured from 1.2mm thick grade 304, satin polished stainless steel, supplied with 30mm square tubular grade 430 stainless steel stand and 38mm waste and plug. Tapholes as required. Utility sinks can be made to suit individual requirements.

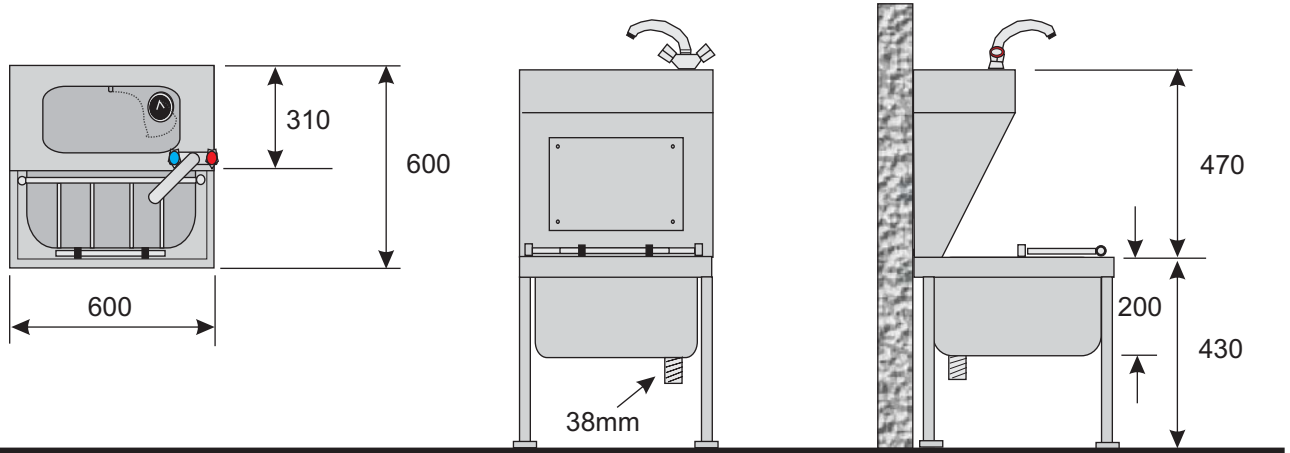


Optional Extras

- | | |
|--|---|
| T8902 Cross head BS5412 bib taps | T9103 Cross head BS1010 3/4" sink taps |
| T8903 Cross head BS5412 sink taps | T9012 Standard BS5412 sink taps |
| T8904 Cross head BS5412 sink deck mixer | T9013 Standard BS5412 sink deck mixer |
| T8906 Cross head BS1010 3/4" bib taps | T9103 Non-concussive bib taps |

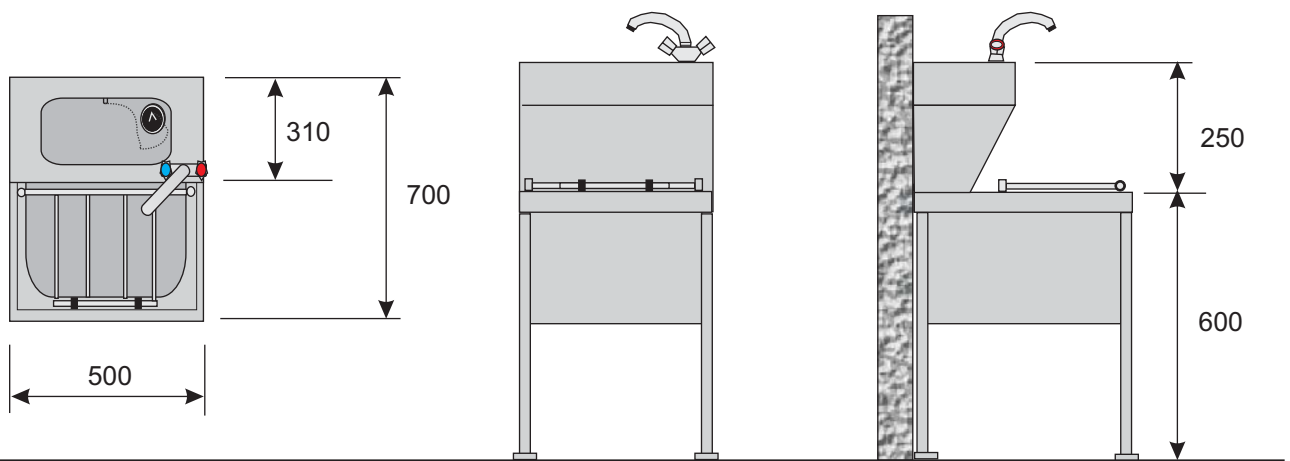
J1000 - Janitorial Unit

Manufactured from 1mm thick grade 304, satin polished stainless steel, supplied with legs, hinged bucket grating, combined waste and overflow assemblies and monobloc sink mixer.



J1000S - Janitorial Unit

Manufactured from 1mm thick grade 304, satin polished stainless steel, supplied with legs, hinged bucket grating, combined waste and overflow assemblies and monobloc sink mixer.



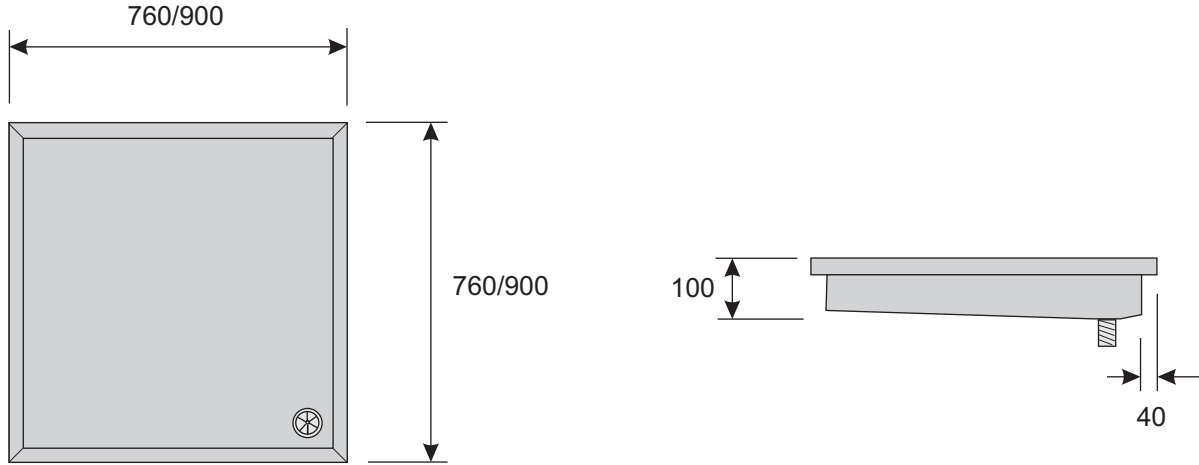
Optional Extras

- B0006** Stainless steel bucket (12 litres)
- B00006L** Stainless steel bucket lid

S2201 - Floor Recessed Shower Tray 760x760

S2202 - Floor Recessed Shower Tray 900x900

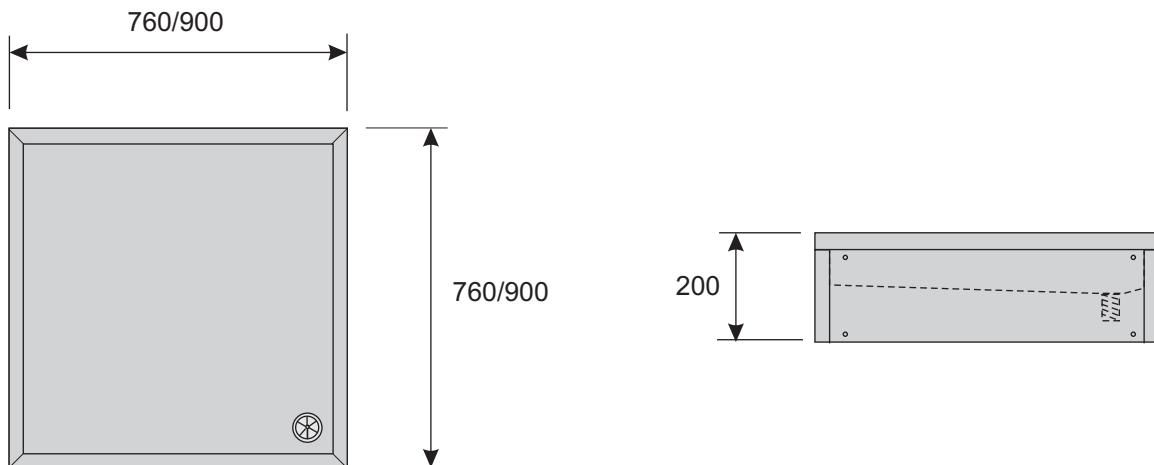
Manufactured from 1.2mm thick grade 304, satin polished stainless steel and supplied with 38mm plastic grated waste. Alternative sizes are available, on request.



S2301 - Floor Standing Shower Tray 760x760

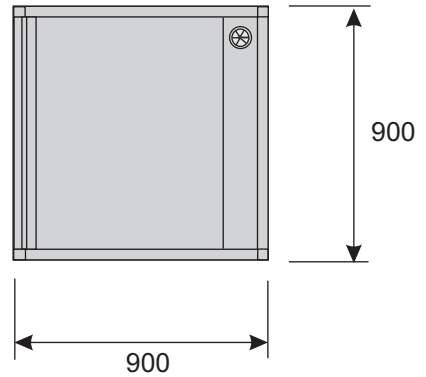
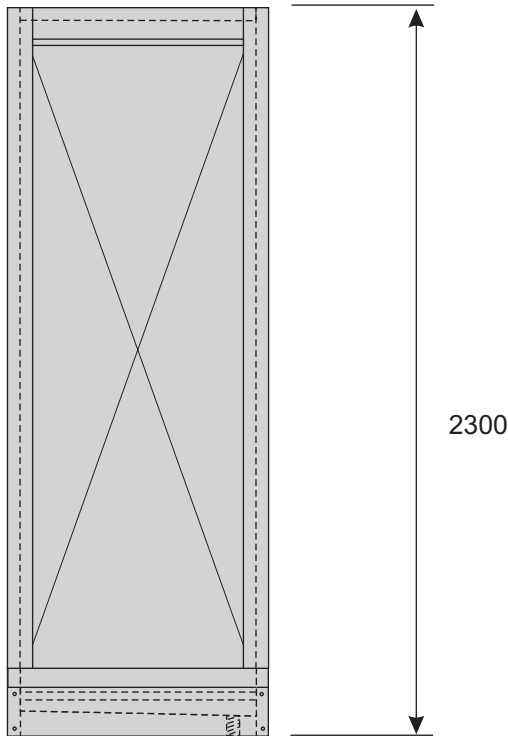
S2302 - Floor Standing Shower Tray 900x900

Manufactured from 1.2mm thick grade 304, satin polished stainless steel and supplied with removable access and 38mm plastic grated waste. Alternative sizes are available, on request.

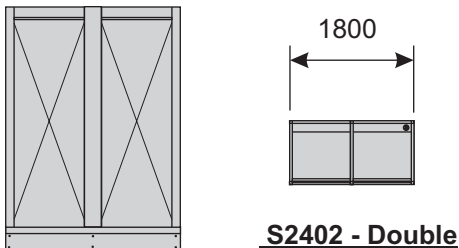
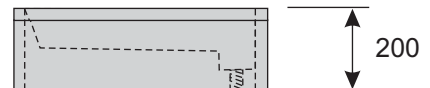


S24 - Shower Cubicles

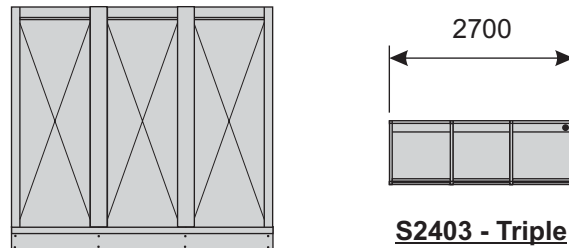
Manufactured from 1.2mm thick grade 304, satin polished stainless steel and supplied with removable access (in the tray), tubular curtain rail and 38mm plastic grated waste. The cubicle is double-skinned and can be supplied as a double or triple unit using one shower tray with an integral rear drainage channel and single waste outlet. Alternative sizes are available, on request.



S2401 - Single



S2402 - Double



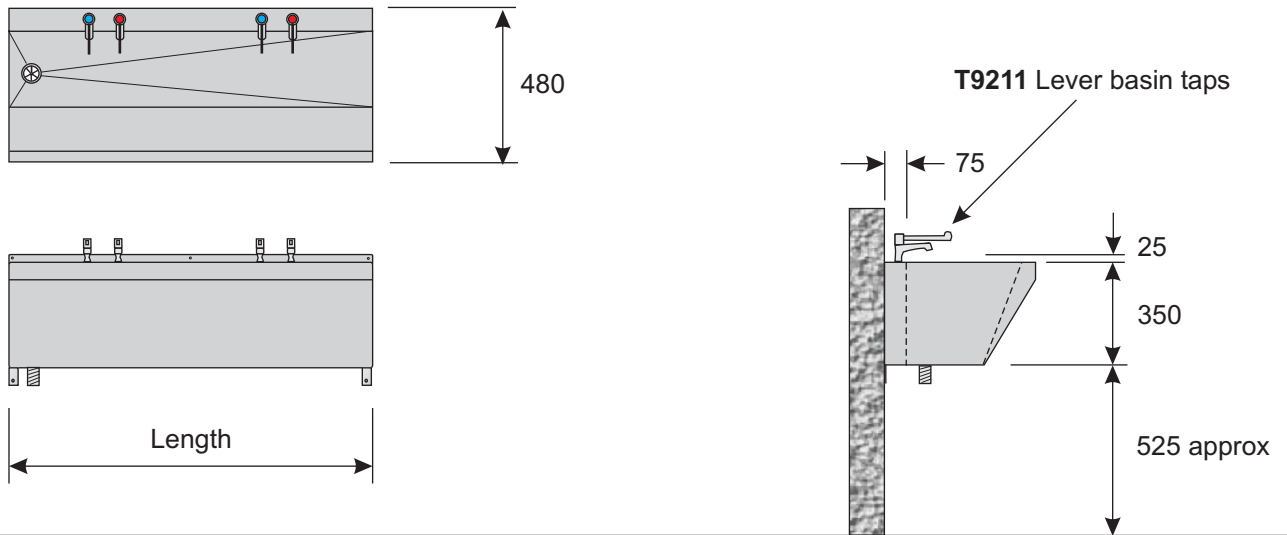
S2403 - Triple

Optional Extras

S2599 Closed Top

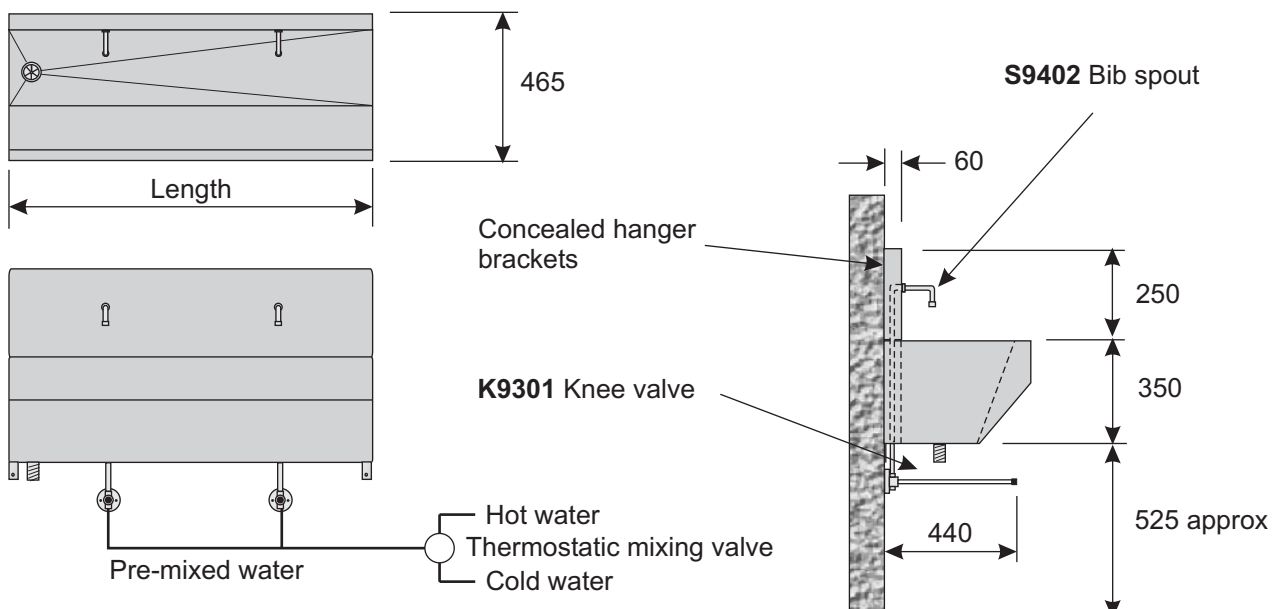
H37 - Taplanding Scrub-up Trough

Manufactured from 1.2mm thick grade 304, satin polished stainless steel, supplied with brackets and 38mm plastic grated waste (in a left, right or central position). Suitable for use with deck-mounted taps and spouts. Available in any length, up to 3000mm, allowing approximately 600mm per person.



H38 - Splashback Scrub-up Trough

Manufactured from 1.2mm thick grade 304, satin polished stainless steel, supplied with brackets and 38mm plastic grated waste (in a left, right or central position). Suitable for use with bib spouts. Available in any length, up to 3000mm, allowing approximately 600mm per person.

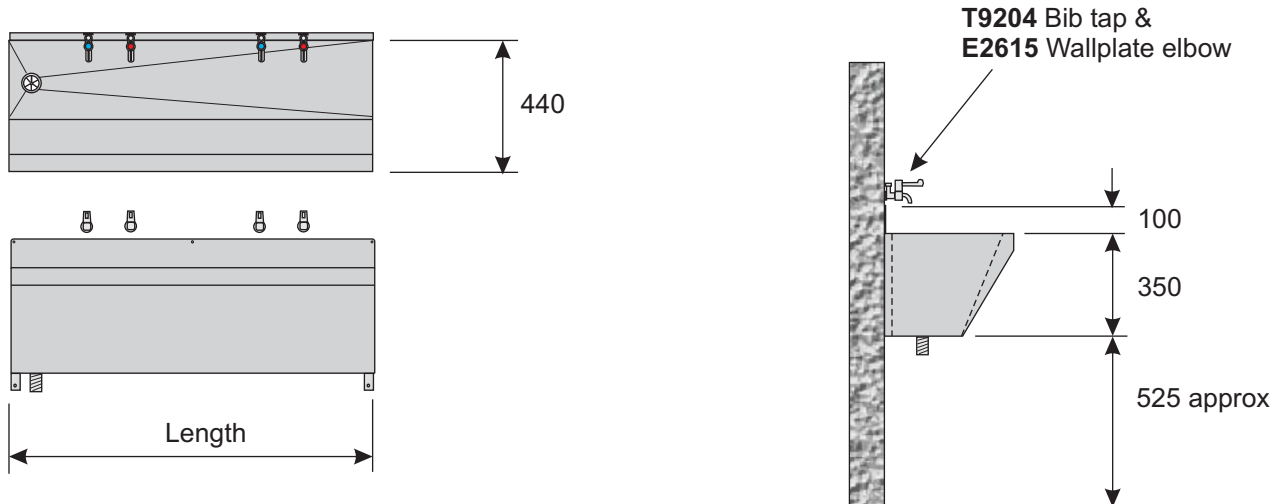


Optional Extras

- | | |
|--|--|
| L1799 Stainless steel leg supports | K9301 Knee operated valve - wall-mounted with 20 second timed delay |
| T9201 Quarter turn 75mm lever basin taps | S9402 Bib spout |
| T9204 Quarter turn 75mm lever bib taps | T9622 Thermostatic mixing valve 22mm |
| T9211 Quarter turn 150mm lever basin taps | |
| T9214 Quarter turn 150mm lever bib taps | |

H39 - Standard Scrub-up Trough

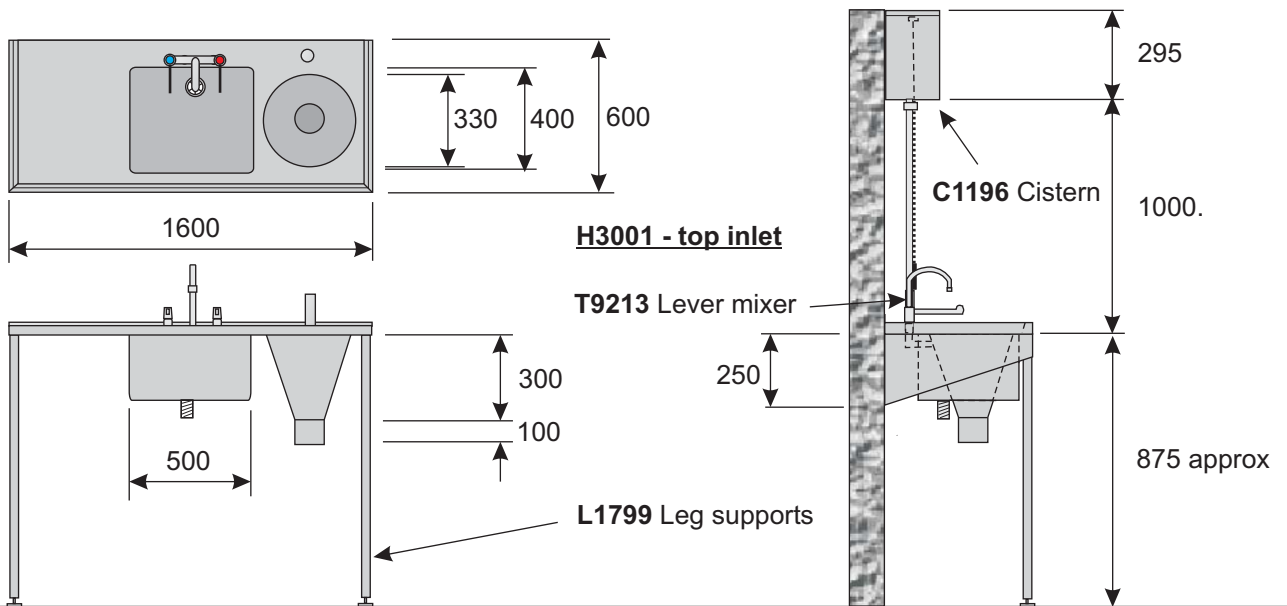
Manufactured from 1.2mm thick grade 304, satin polished stainless steel, supplied with brackets and 38mm plastic grated waste (in a left, right or central position). Suitable for use with wall-mounted taps. Available in any length, up to 3000mm, allowing approximately 600mm per person.



H3001 - Combined Sink/Slop Hopper (top inlet)

H3002 - Combined Sink/Slop Hopper (back inlet)

Manufactured from 1.2mm thick grade 304, satin polished stainless steel, supplied with anti-drip edges, brackets, top or back inlet 38mm flushpipe connection, 110mm spigot soil outlet and 38mm combined waste and overflow assembly. Alternative sizes available on request.



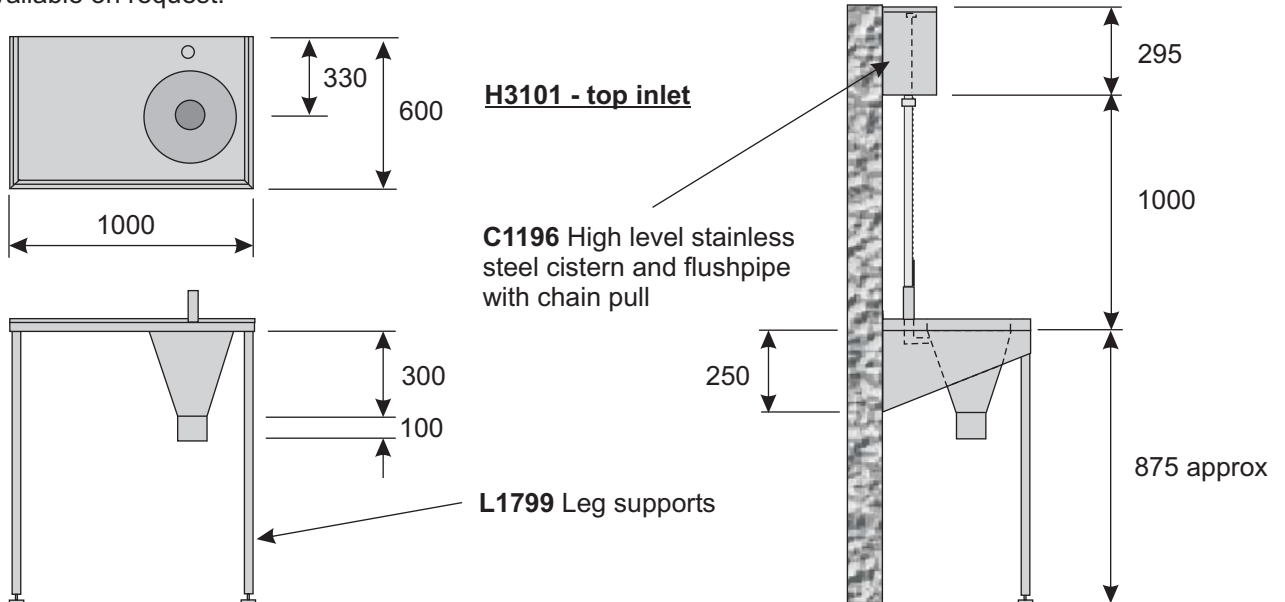
Optional Extras

- | | |
|---|---|
| L1799 Stainless steel leg supports | T9202 Quarter turn 75mm lever sink taps |
| B1001 Bucket grating | T9203 Quarter turn 75mm lever sink deck mixer |
| T3994 110mm stainless steel pushfit P trap | T9204 Quarter turn 75mm lever bib taps |
| T3995 110mm plastic pushfit P trap | T9212 Quarter turn 150mm lever sink taps |
| C1196 St/steel h/l cistern & flushpipe | T9213 Quarter turn 150mm lever sink deck mixer |
| G1000 Outlet Grating | T9214 Quarter turn 150mm lever bib taps |

H3101 - Combined Slop Hopper/Drainer (top inlet)

H3102 - Combined Slop Hopper/Drainer (back inlet)

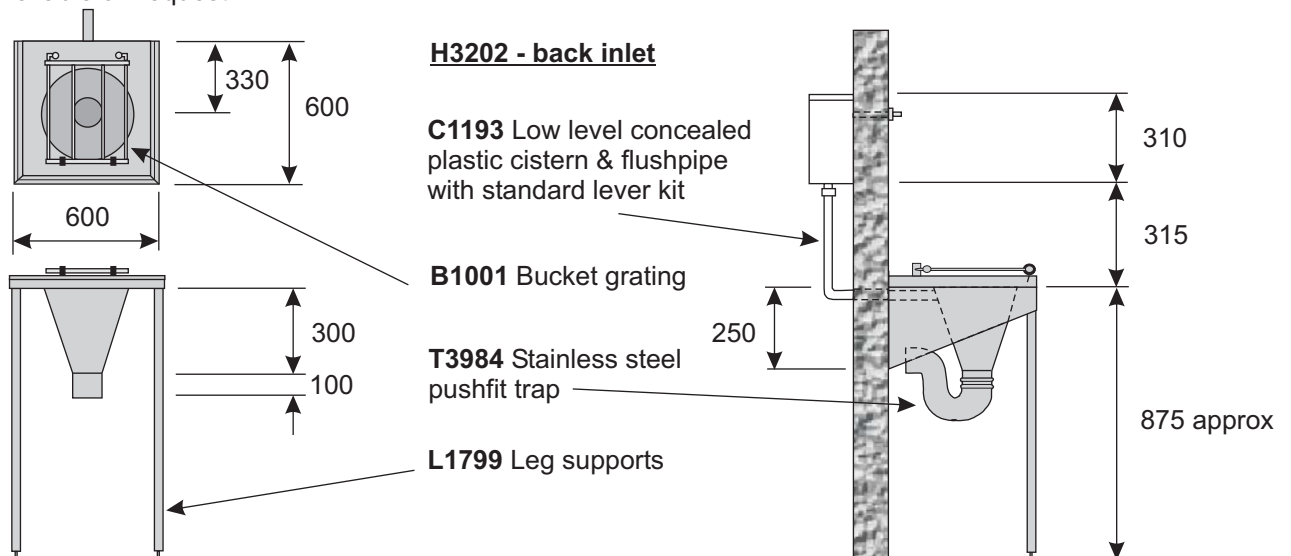
Manufactured from 1.2mm thick grade 304, satin polished stainless steel, supplied with anti-drip edges, brackets, top or back inlet 38mm flushpipe connection and 110mm spigot soil outlet. Alternative sizes available on request.



H3201 - Wall Mounted Slop Hopper (top inlet)

H3202 - Wall Mounted Slop Hopper (back inlet)

Manufactured from 1.2mm thick grade 304, satin polished stainless steel, supplied with anti-drip edges, brackets, top or back inlet 38mm flushpipe connection and 110mm spigot soil outlet. Alternative sizes available on request.



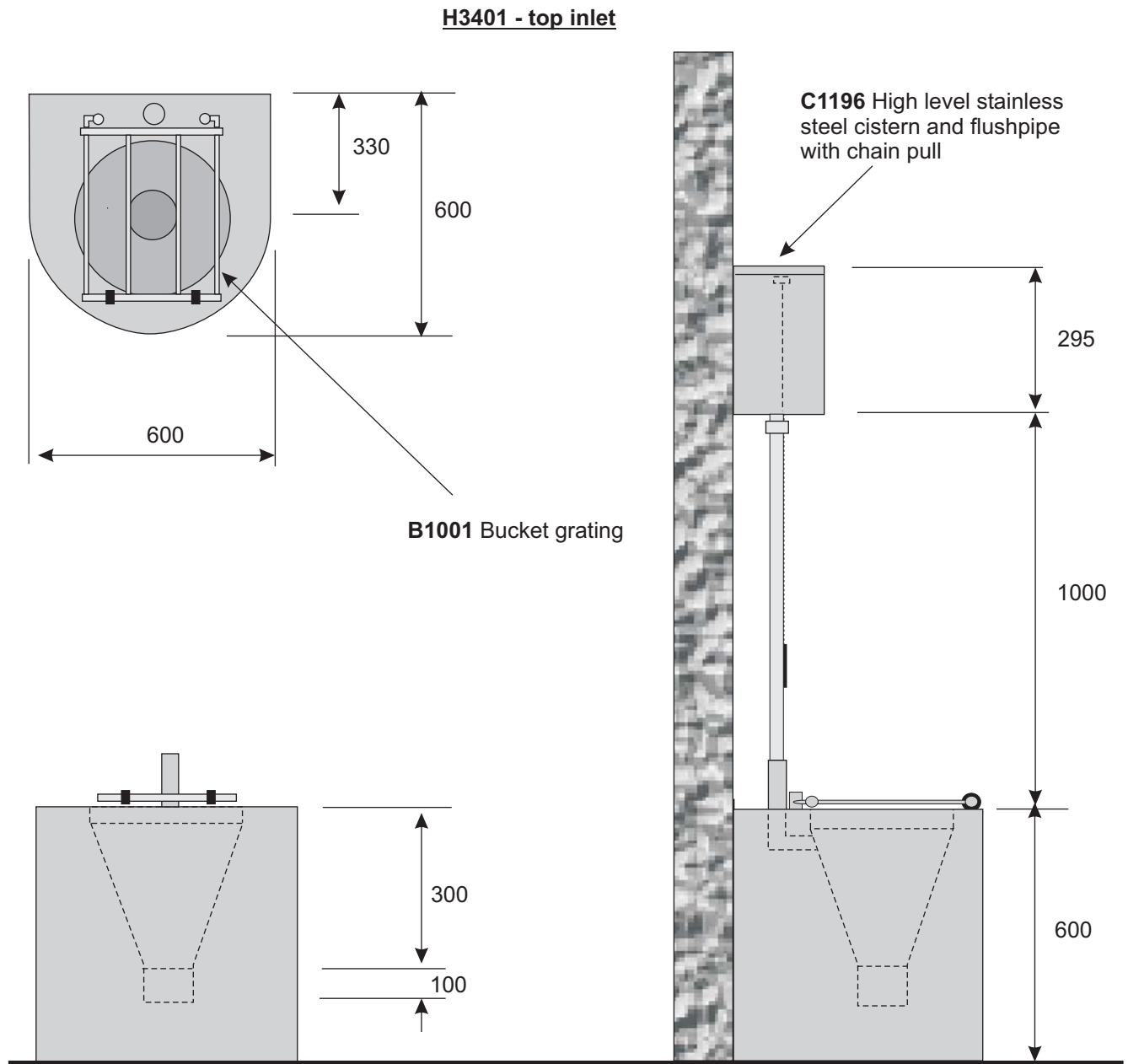
Optional Extras

- L1799** Stainless steel leg supports
- B1001** Bucket grating
- T3994** 110mm stainless steel pushfit P trap
- T3995** 110mm plastic pushfit P trap
- G1000** Outlet Grating

- C1196** High level stainless steel cistern and flushpipe with chain pull
- C1193** Low level concealed plastic cistern and flushpipe with std lever kit

H3401 - Floor Standing Slop Hopper (top inlet) H3402 - Floor Standing Slop Hopper (back inlet)

Manufactured from 1.2mm thick grade 304, satin polished stainless steel, supplied with top or back inlet 38mm flushpipe connection and 110mm spigot soil outlet.



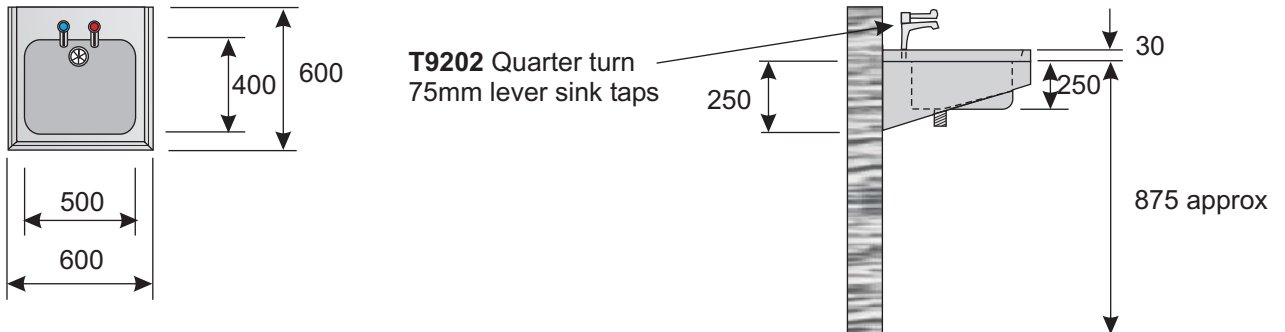
Optional Extras

- B1001** Bucket grating
- T3994** 110mm stainless steel pushfit P trap
- T3995** 110mm plastic pushfit P trap
- G1000** Outlet Grating

- C1196** High level stainless steel cistern and flushpipe with chain pull
- C1193** Low level concealed plastic cistern and flushpipe with std lever kit

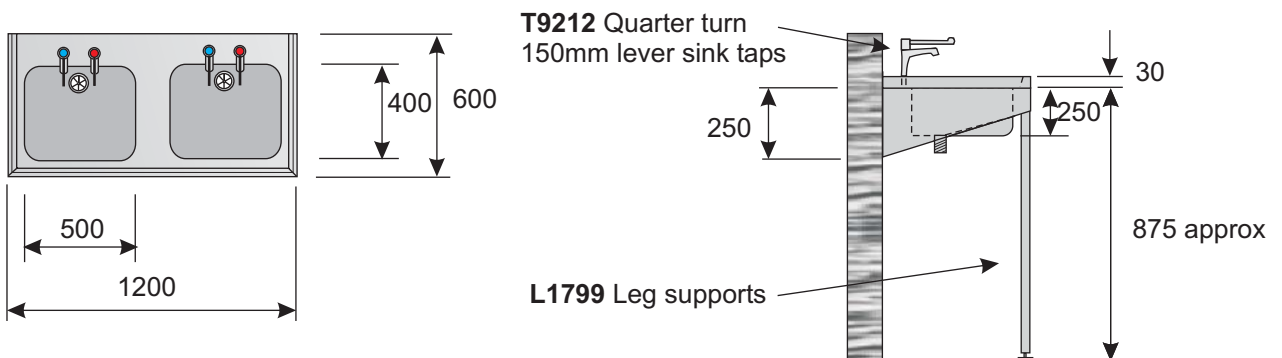
H3601 - Hospital Sink - Single

Manufactured from 1.2mm thick grade 304, satin polished stainless steel, supplied with anti-drip edges, brackets and 38mm combined waste and overflow assembly. Tapholes as required.



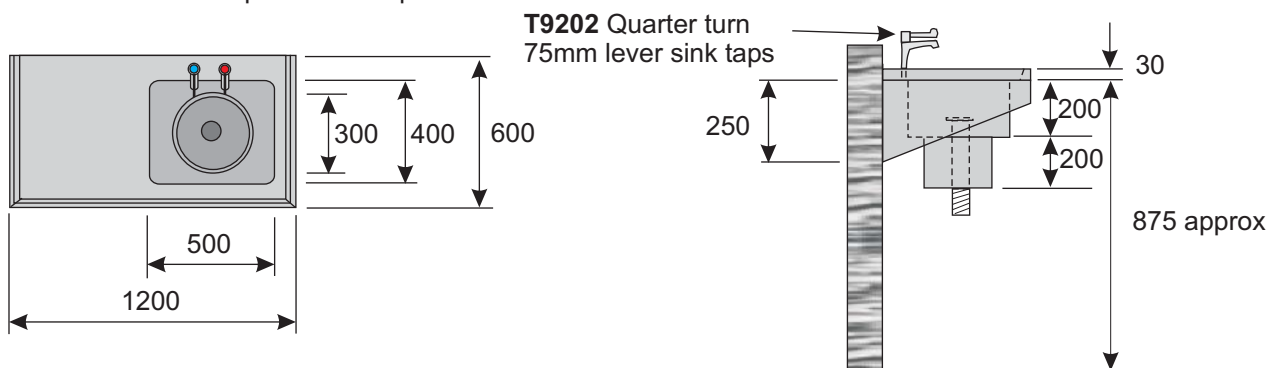
H3602 - Hospital Sink - Double

Manufactured from 1.2mm thick grade 304, satin polished stainless steel, supplied with anti-drip edges, brackets and 38mm combined waste and overflow assemblies. Tapholes as required.



H3301 - Plaster Sink

Manufactured from 1.2mm thick grade 304, satin polished stainless steel, supplied with anti-drip edges, brackets and 38mm standpipe strainer waste and plug. A sump containing a pull-out basket and cover is fitted to the bowl. Tapholes as required.

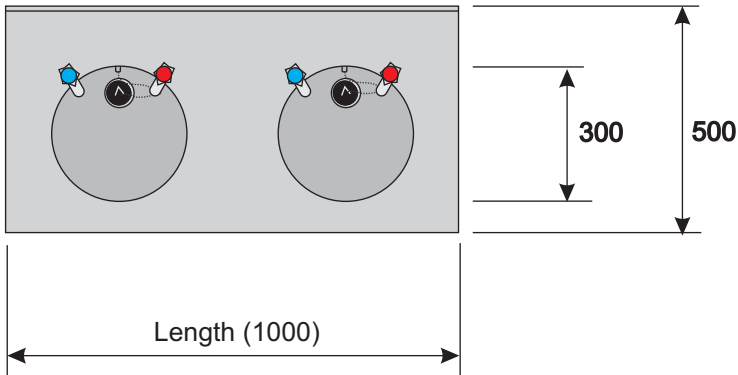


Optional Extras

- L1799** Stainless steel leg supports
- T9202** Quarter turn 75mm lever sink taps
- T9203** Quarter turn 75mm lever sink deck mixer
- T9212** Quarter turn 150mm lever sink taps
- T9213** Quarter turn 150mm lever sink deck mixer

Vanitory Units and Tops

Manufactured from 1.2mm thick grade 304, satin polished stainless steel with 300mm diameter bowls, 32mm combined waste and overflow assembly, tapholes as required, 30mm square tubular, grade 430 stainless steel stand and adjustable feet. Vanitory Units and Tops are made to suit individual needs, and are available in any length, up to 2875mm, allowing approximately 500mm per person.



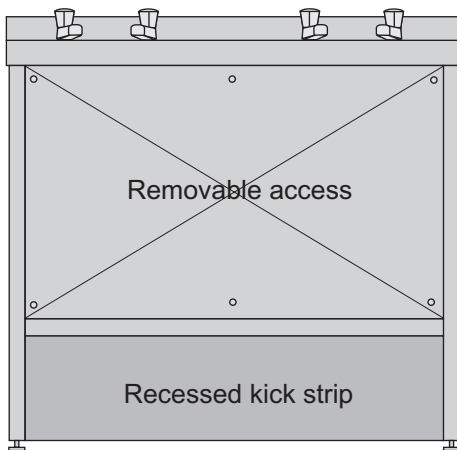
Vanitory Units

- V1291 - with one bowl (500mm wide)
- V1292 - with two bowls (1000mm wide)
- V1293 - with three bowls (1500mm wide)
- V1294 - with four bowls (2000mm wide)
- V1295 - with five bowls (2500mm wide)
- V1296 - with six bowls (2875mm wide)

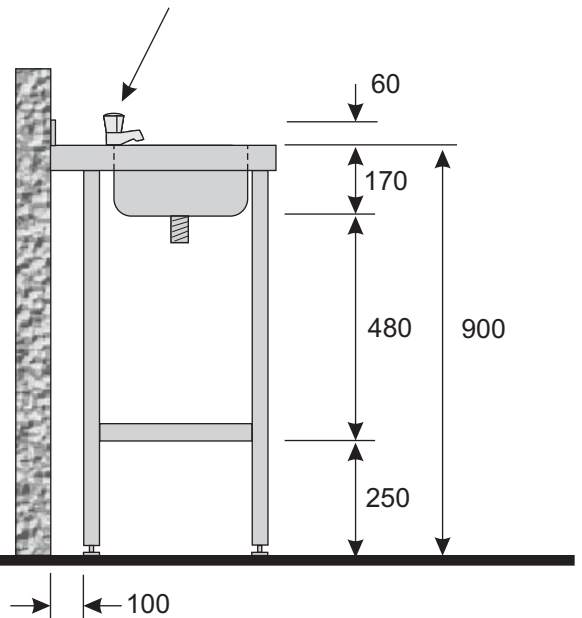
Vanitory Tops

- V1291T - with one bowl (500mm wide)
- V1292T - with two bowls (1000mm wide)
- V1293T - with three bowls (1500mm wide)
- V1294T - with four bowls (2000mm wide)
- V1295T - with five bowls (2500mm wide)
- V1296T - with six bowls (2875mm wide)

V1292 - Vanitory Unit



T9011 Standard basin taps



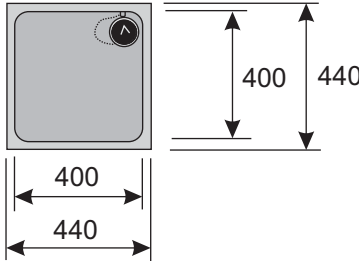
Optional Extras

- L1799 Stainless steel leg supports (for top only)
- T8901 Cross head BS5412 basin taps
- T9011 Standard BS5412 basin taps
- T9101 Non-concussive basin taps

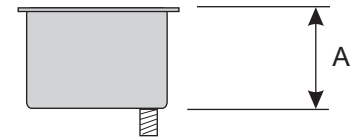
- T9102 Non-concussive lever basin taps
- T9201 Quarter turn 75mm lever basin taps
- T9211 Quarter turn 150mm lever basin taps

Inset Sink Bowls

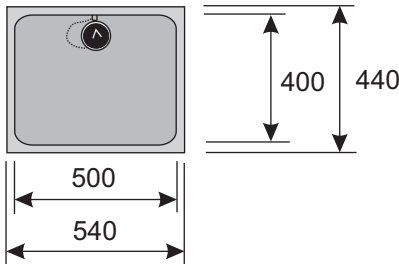
Manufactured from 1.2mm thick grade 304, satin polished stainless steel, supplied with fixing clips and adhesive strip.



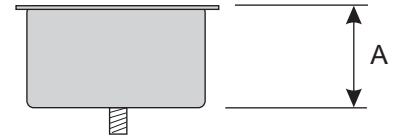
| | |
|--------------|-----|
| | A |
| B4425 | 210 |
| B4430 | 300 |



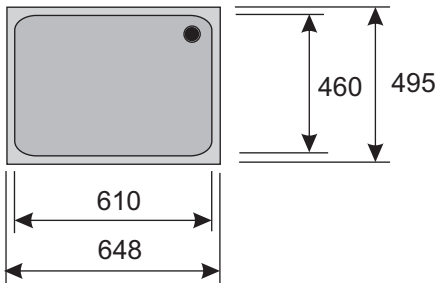
Supplied with 38mm combined waste & overflow assembly (standpipe strainer waste & plug can be supplied at extra cost).



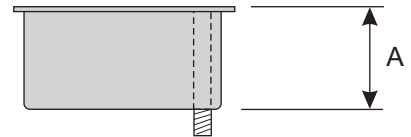
| | |
|--------------|-----|
| | A |
| B5425 | 250 |
| B5430 | 300 |



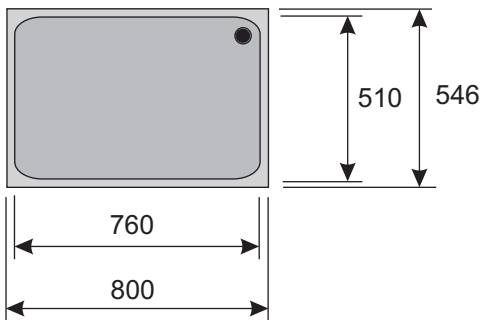
Supplied with 38mm combined waste & overflow assembly (standpipe strainer waste & plug can be supplied at extra cost)..



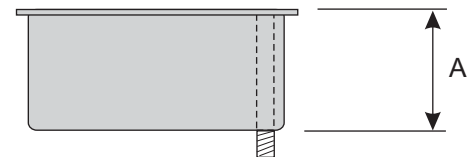
| | |
|--------------|-----|
| | A |
| B6430 | 300 |



Supplied with 38mm standpipe strainer waste & plug.



| | |
|--------------|-----|
| | A |
| B7530 | 300 |
| B7538 | 380 |



Supplied with 38mm standpipe strainer waste & plug.

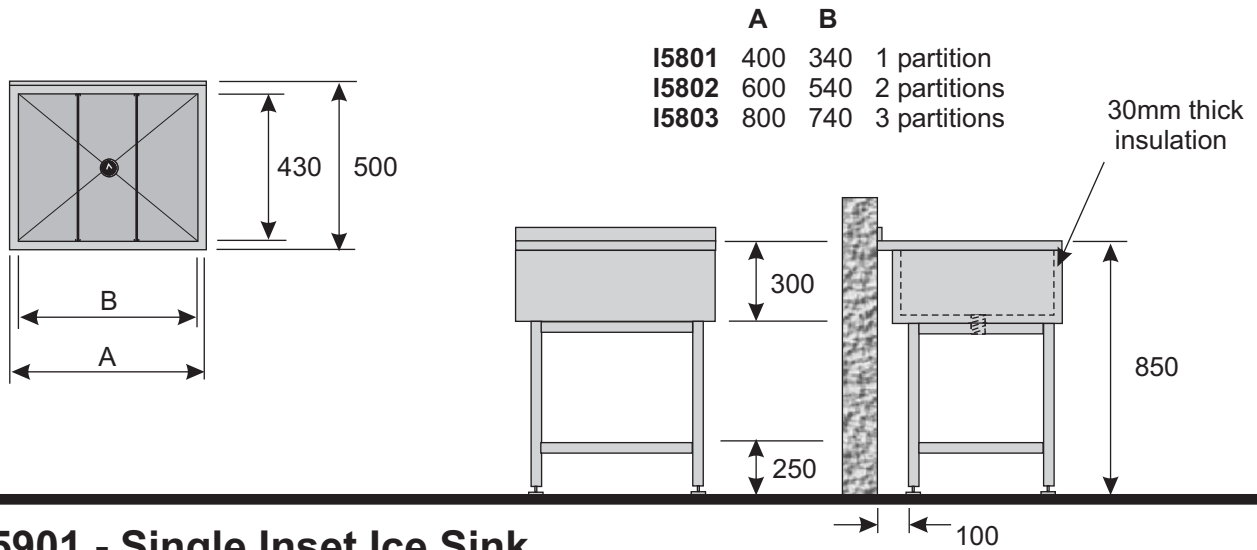
Optional Extras

- T8903** Cross head BS5412 sink taps
- T8904** Cross head BS5412 sink deck mixer
- T8905** Cross head BS1010 3/4" sink taps
- T9012** Standard BS5412 sink taps
- T9013** Standard BS5412 sink deck mixer

- T9014** Standard BS5412 sink monobloc mixer
- T9202** Quarter turn 75mm lever sink taps
- T9203** Quarter turn 75mm lever sink deck mixer
- T9212** Quarter turn 150mm lever sink taps
- T9213** Quarter turn 150mm lever sink deck mixer

Ice Sink Units

Manufactured from 1.2mm thick grade 304, satin polished stainless steel, supplied with 30mm square tubular grade 430 stainless steel stand, adjustable feet, undershelf, removable partitions and 32mm waste and plug. Alternative sizes are available, on request.



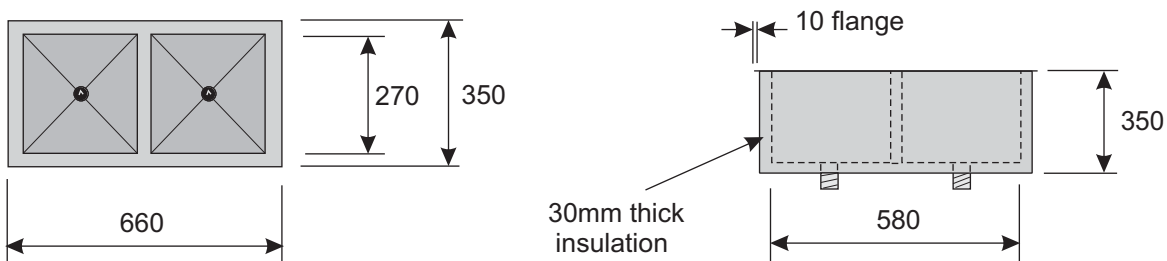
I5901 - Single Inset Ice Sink

Manufactured from 1.2mm thick grade 304, satin polished stainless steel, supplied with a loose lid and 32mm waste and plug. Alternative sizes are available, on request.



I5902 - Double Inset Ice Sink

Manufactured from 1.2mm thick grade 304, satin polished stainless steel, supplied with one loose lid and 32mm waste and plug. Alternative sizes are available, on request.



Optional Extras

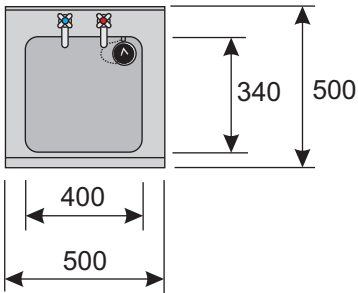
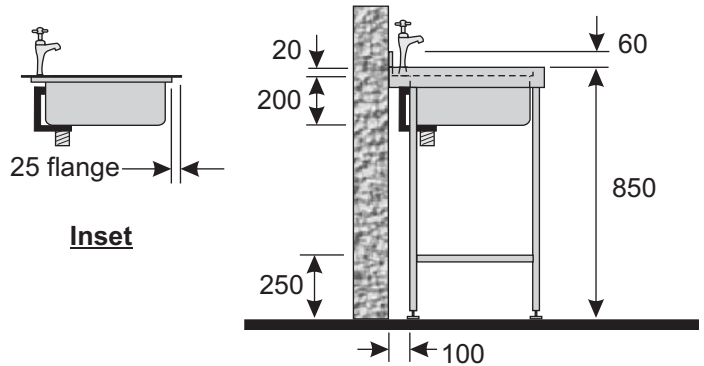
- S0106** Speed rail 600x100mm
- S0109** Speed rail 900x100mm
- S0112** Speed rail 1200x100mm

- C0990** Condiment set (sits in Ice Chest)
- B1560** Blender shelf 600x150mm
- T2260** Towel rail 600x20mm diameter

Mini Sink Units

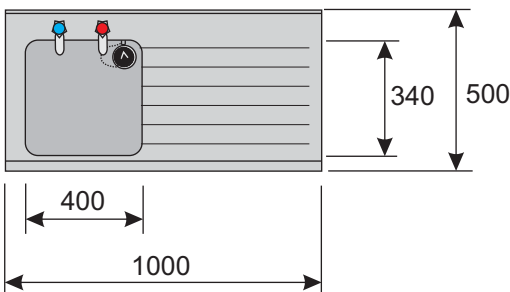
Manufactured from 1.2mm thick grade 304, satin polished stainless steel with 400x340x200mm deep bowl, 38mm combined waste & overflow assembly, tapholes as required, 30mm square tubular, grade 430 stainless steel stand and adjustable feet (with or without undershelf). Standard overall size can be altered and alternative bowl sizes, are available.

Alternative bowl sizes available:
 250x250x200 deep
 335x235x180 deep
 330x330x200 deep
 350x290x200 deep
 400x290x200 deep



Mini Sink SB Unit
B6505

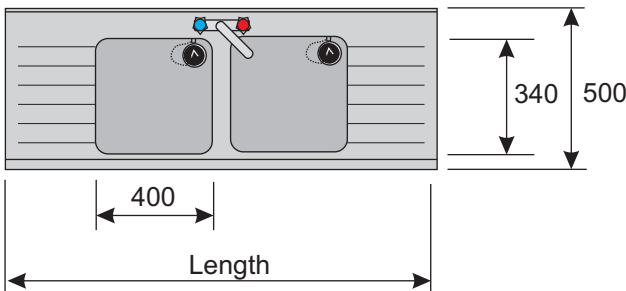
Mini Sink SB Top
B6505T - (sit-on or inset)



Mini Sink SBSD Unit
B6510

Mini Sink SBSD Top
B6510T - (sit-on or inset)

NB: left or right hand drainer



Mini Sink DBDD Unit
B6515 - 1500mm long
B6518 - 1800mm long

Mini Sink DBDD Top
B6515T - 1500mm long (sit-on or inset)
B6518T - 1800mm long (sit-on or inset)

Optional Extras

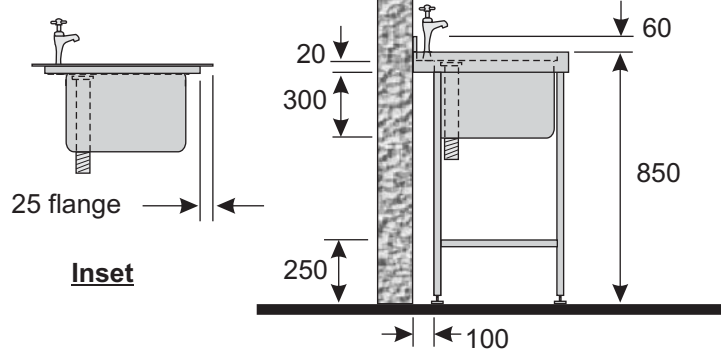
- | | |
|--|---|
| C6893 Cut out | T9013 Standard BS5412 sink deck mixer |
| U6897 End upstand | T9014 Standard BS5412 sink monobloc mixer |
| T8903 Cross head BS5412 sink taps | T9202 Quarter turn 75mm lever sink taps |
| T8904 Cross head BS5412 sink deck mixer | T9203 Quarter turn 75mm lever sink deck mixer |
| T8905 Cross head BS1010 3/4" sink taps | T9212 Quarter turn 150mm lever sink taps |
| T9012 Standard BS5412 sink taps | T9213 Quarter turn 150mm lever sink deck mixer |

Standard Sink Units

Manufactured from 1.2mm thick grade 304, satin polished stainless steel with 610x460x300mm deep bowls, 38mm standpipe strainer waste, tapholes as required, 30mm square tubular, grade 430 stainless steel stand and adjustable feet (with or without undershelf). Standard overall size can be altered and alternative bowl sizes are available.

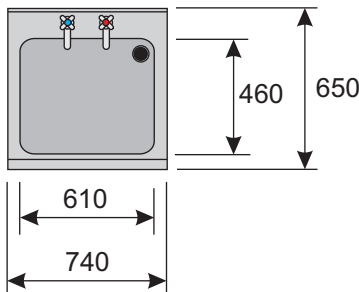
Alternative bowl sizes available:

- 400x400x250 deep
- 400x400x300 deep
- 500x400x250 deep
- 500x400x300 deep
- 610x460x250 deep



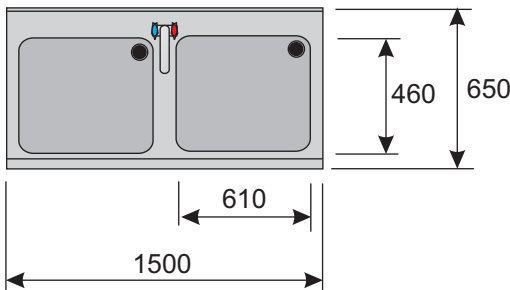
Standard SB Sink Unit
S6017

Standard SB Sink Top
S6017T - (sit-on or inset)



Standard DB Sink Unit
S6115

Standard DB Sink Top
S6115T - (sit-on or inset)

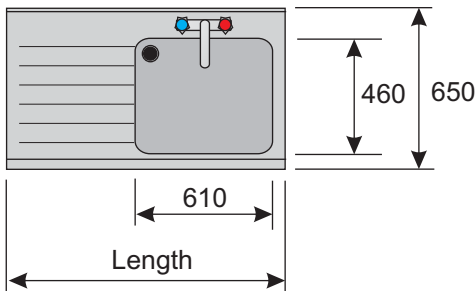


Standard SBSD Sink Unit

- S6210** - 1000mm long
- S6212** - 1200mm long
- S6215** - 1500mm long
- S6218** - 1800mm long

Standard SBSD Sink Top

- S6210T** - 1000mm long (sit-on or inset)
- S6212T** - 1200mm long (sit-on or inset)
- S6215T** - 1500mm long (sit-on or inset)
- S6218T** - 1800mm long (sit-on or inset)

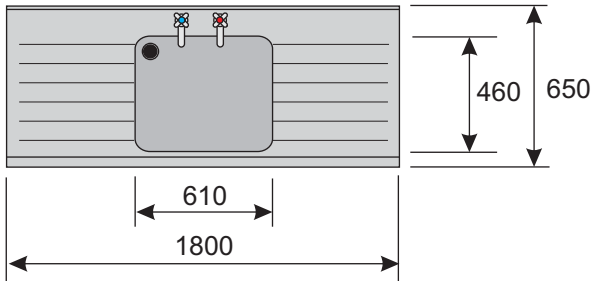


NB: left or right hand drainer

Optional Extras

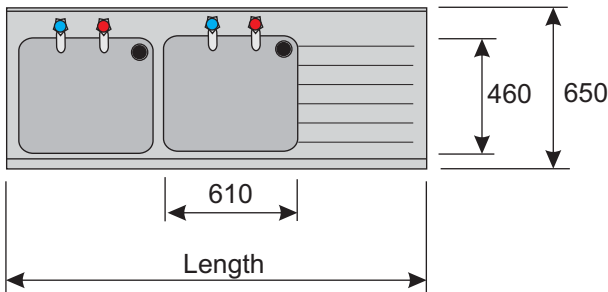
- | | |
|--|---|
| C6893 Cut out | T9013 Standard BS5412 sink deck mixer |
| U6897 End upstand | T9014 Standard BS5412 sink monobloc mixer |
| T8903 Cross head BS5412 sink taps | T9202 Quarter turn 75mm lever sink taps |
| T8904 Cross head BS5412 sink deck mixer | T9203 Quarter turn 75mm lever sink deck mixer |
| T8905 Cross head BS1010 3/4" sink taps | T9212 Quarter turn 150mm lever sink taps |
| T9012 Standard BS5412 sink taps | T9213 Quarter turn 150mm lever sink deck mixer |

Standard Sink Units (continued)



Standard SBDD Sink Unit
S6318

Standard SBDD Sink Top
S6318T - (sit-on or inset)



Standard DBSD Sink Unit

S6418 - 1800mm long

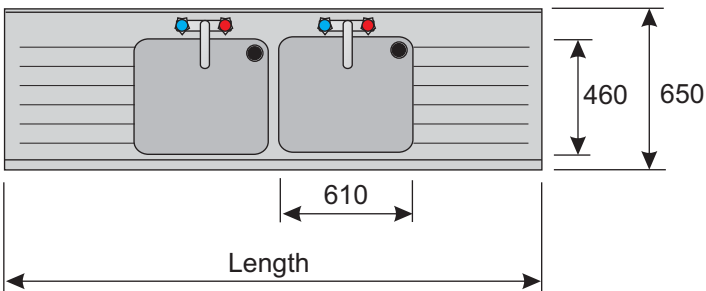
S6424 - 2400mm long

Standard DBSD Sink Top

S6418T - 1800mm long (sit-on or inset)

S6424T - 2400mm long (sit-on or inset)

NB: Left or right hand drainer



Standard DBDD Sink Unit

S6524 - 2400mm long

S6530 - 3000mm long

S6535 - 3500mm long

Standard DBDD Sink Top

S6524T - 2400mm long (sit-on or inset)

S6530T - 3000mm long (sit-on or inset)

S6535T - 3500mm long (sit-on or inset)

Optional Extras

- C6893** Cut out
- U6897** End upstand
- T8903** Cross head BS5412 sink taps
- T8904** Cross head BS5412 sink deck mixer
- T8905** Cross head BS1010 3/4" sink taps
- T9012** Standard BS5412 sink taps

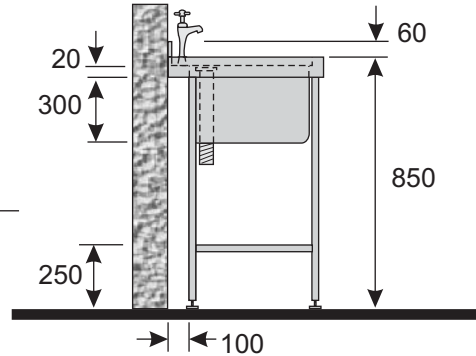
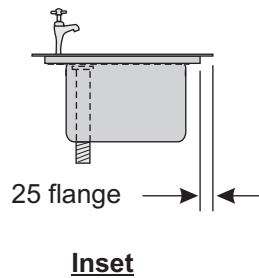
- T9013** Standard BS5412 sink deck mixer
- T9014** Standard BS5412 sink monobloc mixer
- T9202** Quarter turn 75mm lever sink taps
- T9203** Quarter turn 75mm lever sink deck mixer
- T9212** Quarter turn 150mm lever sink taps
- T9213** Quarter turn 150mm lever sink deck mixer

Large Sink Units

Manufactured from 1.2mm thick grade 304, satin polished stainless steel with 760x510x300mm deep bowls, 38mm standpipe strainer waste, tapholes as required, 30mm square tubular, grade 430 stainless steel stand and adjustable feet (with or without undershelf). Standard overall size can be altered and alternative bowl sizes are available.

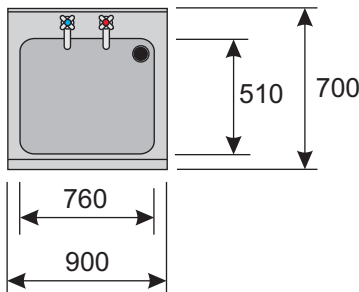
Alternative bowl sizes available:

- 400x400x250 deep
- 400x400x300 deep
- 500x400x250 deep
- 500x400x300 deep
- 610x460x250 deep
- 610x460x300 deep
- 760x510x380 deep



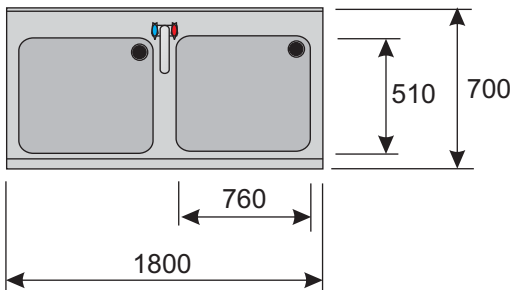
Large SB Sink Unit
S7017

Large SB Sink Top
S7017T - (sit-on or inset)



Large DB Sink Unit
S7115

Large DB Sink Top
S7115T - (sit-on or inset)

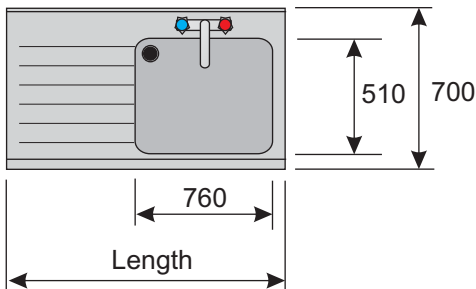


Large SBSD Sink Unit

- S7212 - 1200mm long
- S7215 - 1500mm long
- S7218 - 1800mm long

Large SBSD Sink Top

- S7212T - 1200mm long (sit-on or inset)
- S7215T - 1500mm long (sit-on or inset)
- S7218T - 1800mm long (sit-on or inset)

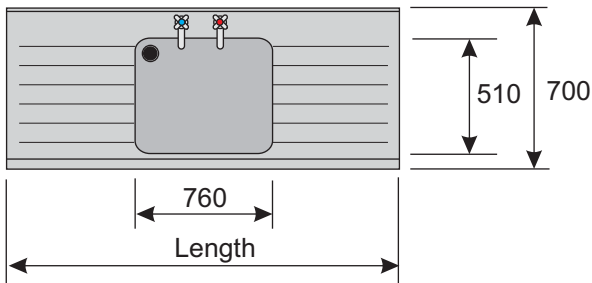


NB: left or right hand drainer

Optional Extras

- | | |
|--|---|
| C6893 Cut out | T9013 Standard BS5412 sink deck mixer |
| U6897 End upstand | T9014 Standard BS5412 sink monobloc mixer |
| T8903 Cross head BS5412 sink taps | T9202 Quarter turn 75mm lever sink taps |
| T8904 Cross head BS5412 sink deck mixer | T9203 Quarter turn 75mm lever sink deck mixer |
| T8905 Cross head BS1010 3/4" sink taps | T9212 Quarter turn 150mm lever sink taps |
| T9012 Standard BS5412 sink taps | T9213 Quarter turn 150mm lever sink deck mixer |

Large Sink Units (continued)



Large SBDD Sink Unit

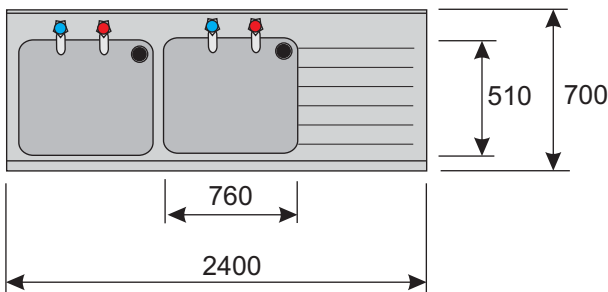
7318 - 1800mm long

7324 - 2400mm long

Standard SBDD Sink Top

7318T - 1800mm long (sit-on or inset)

7324T - 2400mm long (sit-on or inset)



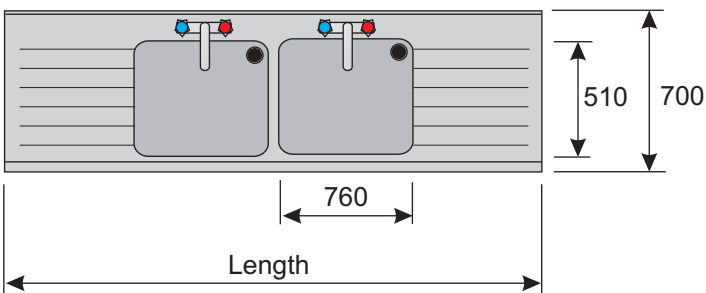
Large DBSD Sink Unit

S7424 - 2400mm long

Large DBSD Sink Top

S7424T - 2400mm long (sit-on or inset)

NB: Left or right hand drainer



Large DBDD Sink Unit

S7530 - 3000mm long

S7535 - 3500mm long

Large DBDD Sink Top

S7530T - 3000mm long (sit-on or inset)

S7535T - 3500mm long (sit-on or inset)

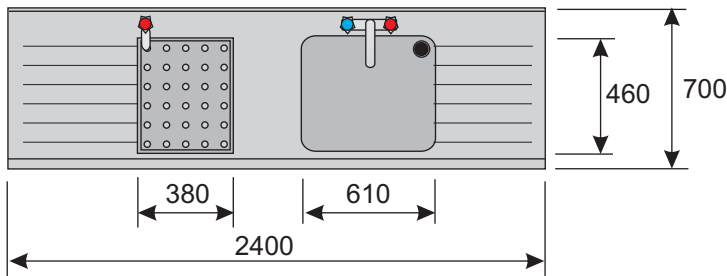
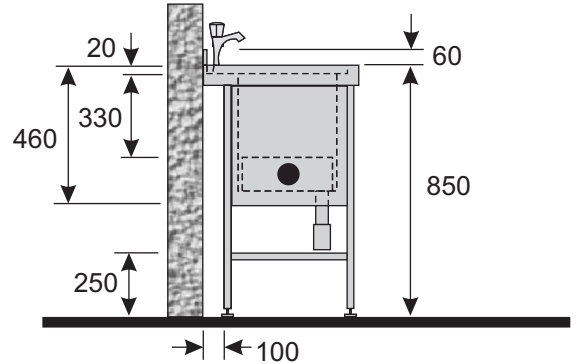
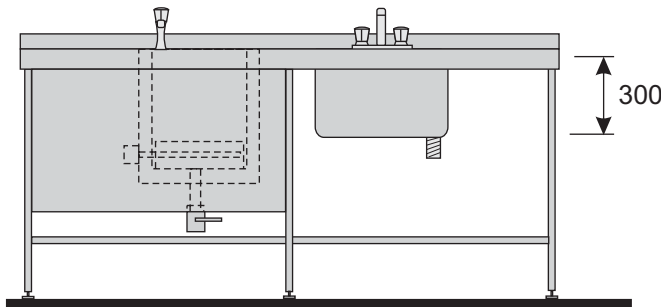
Optional Extras

- C6893** Cut out
- U6897** End upstand
- T8903** Cross head BS5412 sink taps
- T8904** Cross head BS5412 sink deck mixer
- T8905** Cross head BS1010 3/4" sink taps
- T9012** Standard BS5412 sink taps

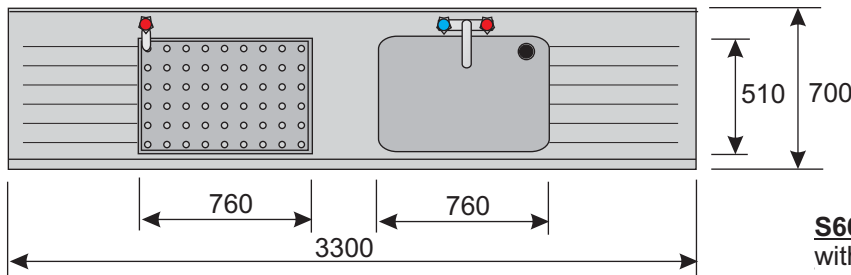
- T9013** Standard BS5412 sink deck mixer
- T9014** Standard BS5412 sink monobloc mixer
- T9202** Quarter turn 75mm lever sink taps
- T9203** Quarter turn 75mm lever sink deck mixer
- T9212** Quarter turn 150mm lever sink taps
- T9213** Quarter turn 150mm lever sink deck mixer

Hot Rinse Sink Units

Manufactured from 1.2mm thick grade 304, satin polished stainless steel with 38mm standpipe strainer waste assembly in the washbowl, tapholes as required and 30mm square tubular, grade 430 stainless steel stand and adjustable feet with or without shelf under the sinkbowl. The insulated heated bowl has an insulated lid, 38mm waste with lever operated drain valve, removable trivet over immersion heater and thermostat, which require a 220/240v 50hz single phase supply via a fused spur.



S6624 - Standard Hot Rinse Sink Unit
with 4kw immersion heater, requiring a 20amp fused spur.



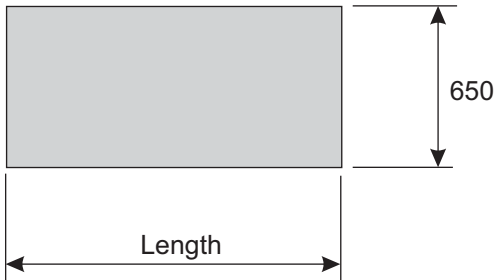
S6633 - Large Hot Rinse Sink Unit
with 6kw immersion heater, requiring a 30amp fused spur.

Optional Extras

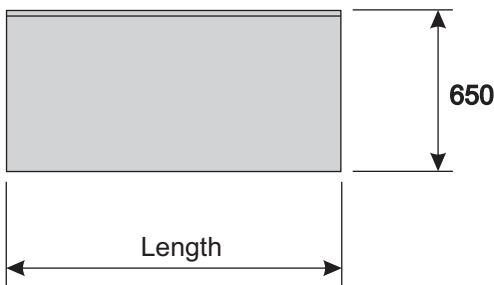
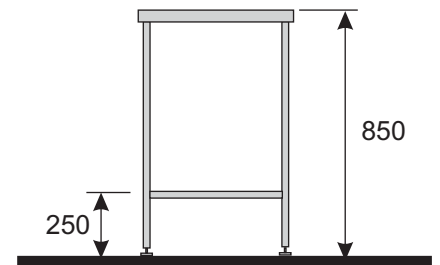
- | | |
|--|---|
| C6893 Cut out | T9013 Standard BS5412 sink deck mixer |
| U6897 End upstand | T9014 Standard BS5412 sink monobloc mixer |
| T8903 Cross head BS5412 sink taps | T9202 Quarter turn 75mm lever sink taps |
| T8904 Cross head BS5412 sink deck mixer | T9203 Quarter turn 75mm lever sink deck mixer |
| T8905 Cross head BS1010 3/4" sink taps | T9212 Quarter turn 150mm lever sink taps |
| T9012 Standard BS5412 sink taps | T9213 Quarter turn 150mm lever sink deck mixer |

Tables

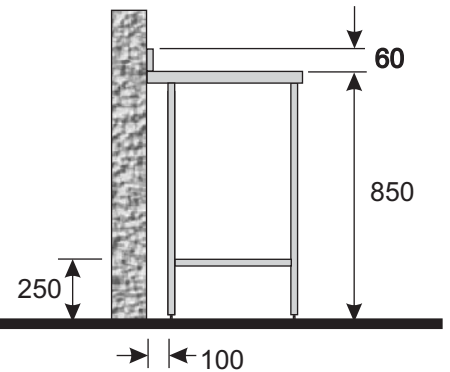
Manufactured from 1.2mm thick grade 304, satin polished stainless steel, supplied with 30mm square tubular grade 430 stainless steel stand with adjustable feet and undershelf. Available in any length up to 2875mm. Standard width and height can be altered.



T66 - Centre table

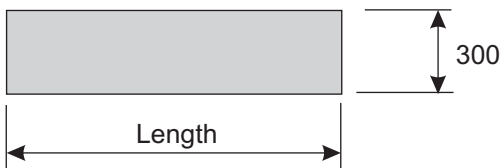


T67 - Wall table

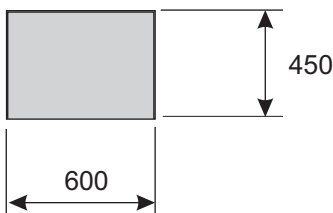
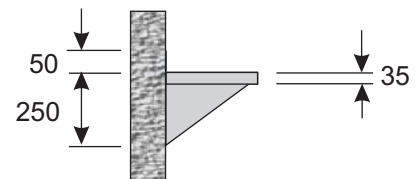


Shelves

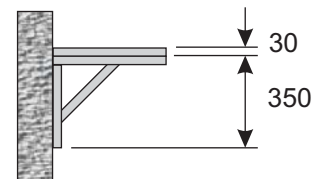
Manufactured from 1.2mm thick grade 430, satin polished stainless steel, supplied with brackets. Wall shelves are available in any length up to 2875mm and the standard width can be altered.



W75 - Wall shelf



M0166 - Microwave shelf
(available in any size, to suit the Microwave)



Optional Extras

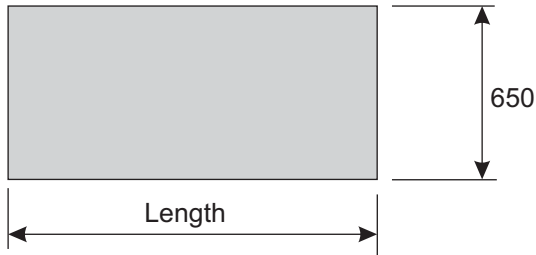
- S6892** Additional strengthening (for machines etc.)
- D6894** Drawer
- D6895** Drawer with lock
- C5599** Four standard duty castors (two braked)
- C5597** Four heavy duty castors (two braked)

- D6898** Additional undershelf
- C6893** Cut out
- C8390** Mitred corner
- U6897** End upstand

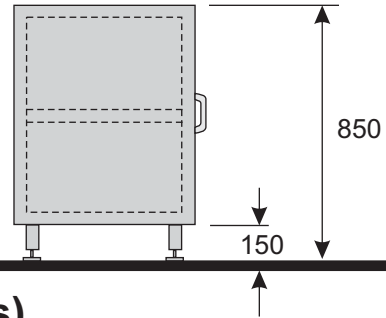
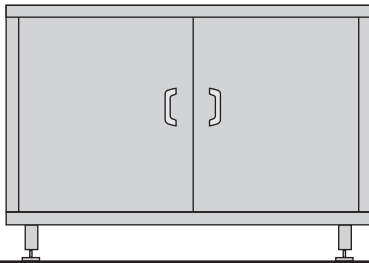
C70 - Floor Cupboard (ambient - no doors)

C71 - Floor Cupboard (with sliding or hinged doors)

Manufactured from 1.2mm thick grade 304, satin polished stainless steel, supplied with or without sliding or hinged doors, 30mm square tubular grade 430 stainless steel frame, adjustable feet and intermediate shelf. Available in any length, from 600 to 2400mm. Standard width and height, can be altered.



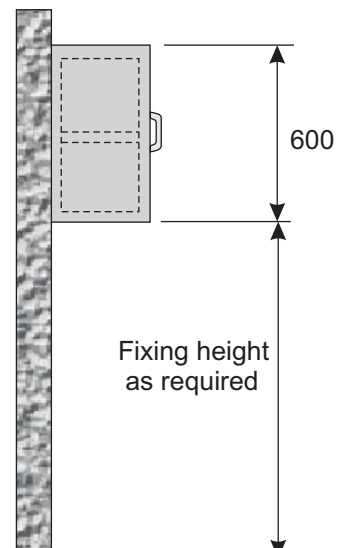
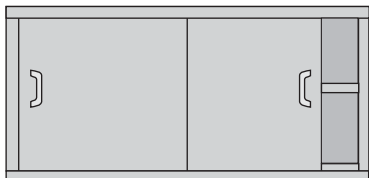
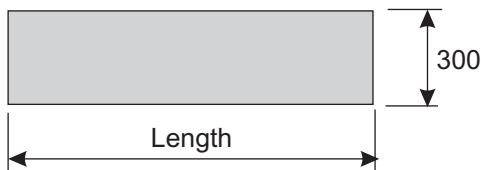
Also available for fitting under a Catering Sink Top:
C74 - Sink Cupboard (ambient - no doors)
C75 - Sink Cupboard (with sliding or hinged doors)



C72 - Wall Cupboard (ambient - no doors)

C73 - Wall Cupboard (with sliding or hinged doors)

Manufactured from 1.2mm thick grade 304, satin polished stainless steel, supplied with or without sliding or hinged doors, 30mm square tubular grade 430 stainless steel frame and intermediate shelf. Available in any length, from 600 to 1500mm. Standard width and height, can be altered.



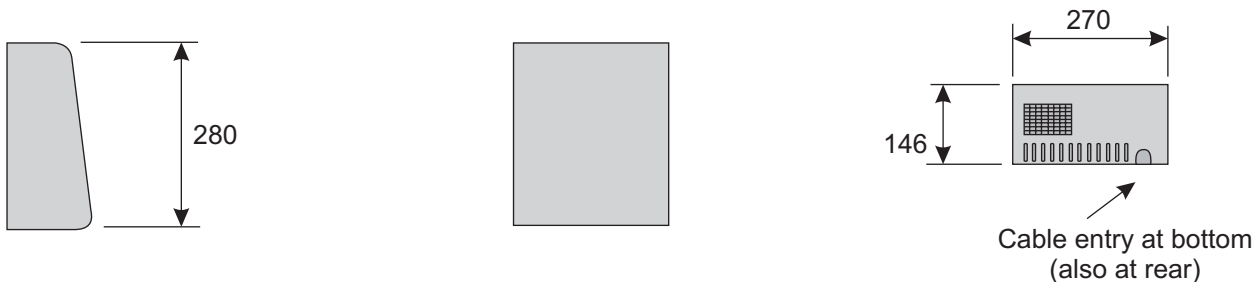
Optional Extras

L7499 Hinged or sliding door lock
S6898 Additional shelf

C5599 Four standard duty castors (two with brake)
C5597 Four heavy duty castors (two with brake)

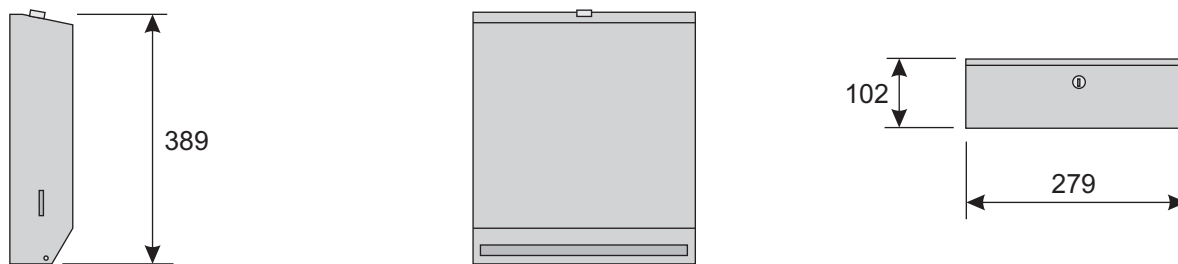
A8601 - Non-touch Hand Drier

Manufactured from 1.2mm thick grade 304, satin polished stainless steel. It has a capacitor start, brushless motor, centrifugal fan and fully-supported, spiral wound, heating element, rated at 2.4kW with automatic re-set overload protection and is automatically operated by an infra-red sensor and associated circuitry with automatic safety cut-out after 70 seconds continuous running. Supply should be 220/240V, 50Hz, single phase and the hand drier connected to the final subcircuit via a double-pole isolator switch, fused at 13A.



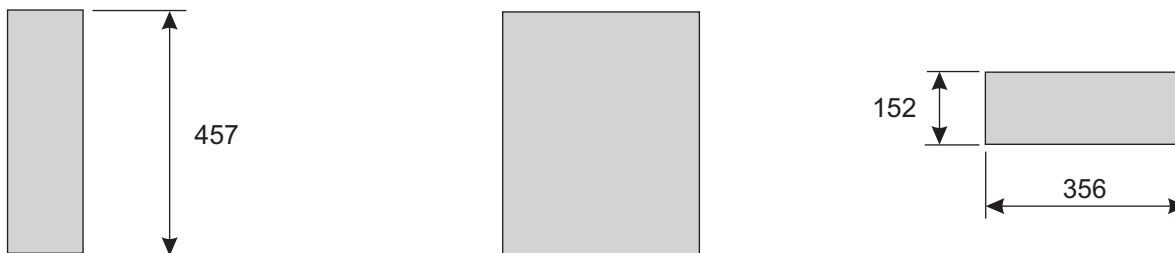
A8602 - Paper Towel Dispenser

Manufactured from 0.76mm thick grade 304, satin polished stainless steel with a lockable, bottom-hinged front, that swings open fully for easy servicing and dispenses 300 to 500, multi-fold or C-fold paper towels.



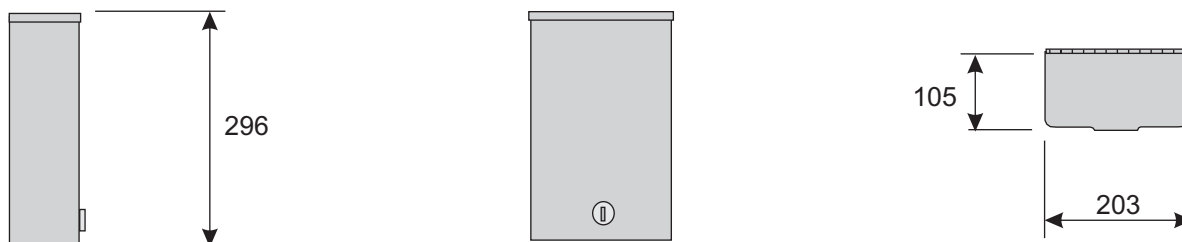
A8609 - Waste Bin

Manufactured from 0.76mm thick grade 304, satin polished stainless steel. **A8610** with hinged lid is also available.



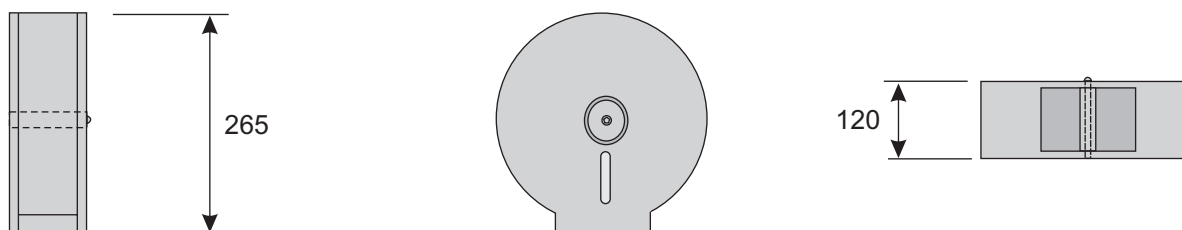
A8616 - Napkin Disposal Bin

Manufactured from 0.76mm thick grade 304, satin polished stainless steel with a hinged lid and lockable, hinged bottom for easy servicing (removal of liner).



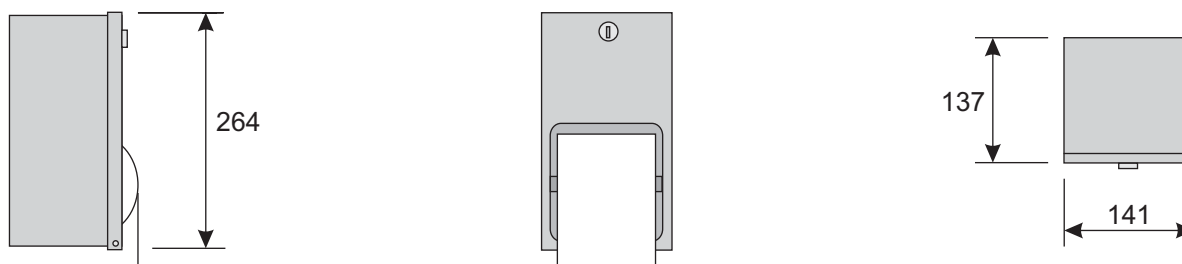
A8613 - Mini Jumbo Toilet Roll Holder

Manufactured from 0.76mm thick grade 304, satin polished stainless steel with a lockable, removable, front cover for easy servicing. A 220mm pack gives 300m single sheet or 210m double sheet.



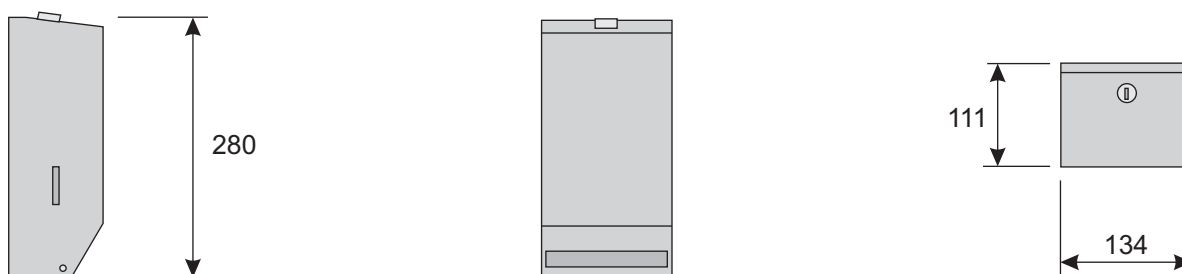
A8615 - Double Toilet Roll Holder

Manufactured from 0.76mm thick grade 304, satin polished stainless steel with a lockable, front cover for easy servicing. Holds two 114x114 standard core toilet rolls. **A8615R** recessed model is also available.



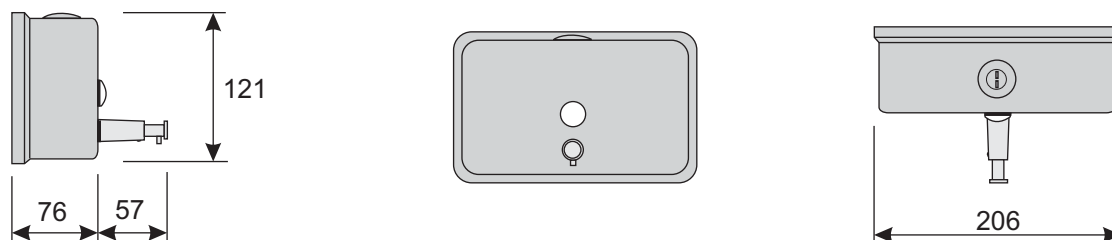
A8606 - Toilet Tissue Dispenser

Manufactured from 0.76mm thick grade 304, satin polished stainless steel with a lockable, bottom-hinged front, that swings open fully for easy servicing.



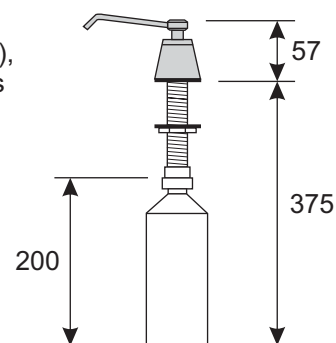
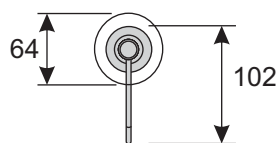
A8603 - Liquid Soap Dispenser

Manufactured from 0.91mm thick grade 304, satin polished stainless steel with a chromium-plated brass valve (with stainless steel moving parts), key-operated filler cap, lexan level indicator and 1.2 litre capacity. An **A8603V** vertical model is also available.



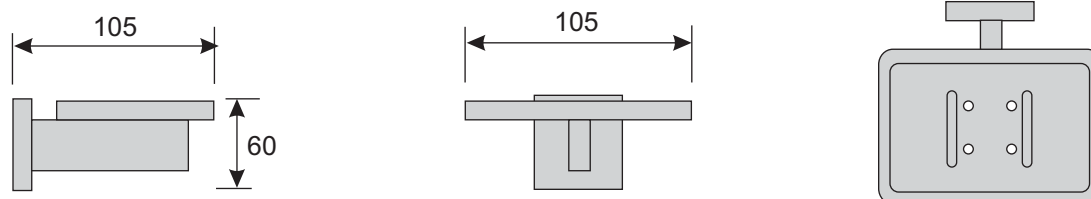
A8611 - Liquid Soap Dispenser

Manufactured from chromium-plated brass (with stainless steel moving parts), designed for top filling, with a 0.5 litre polyethylene container. A 25mm hole is required for installation through a maximum mounting thickness of 102mm.



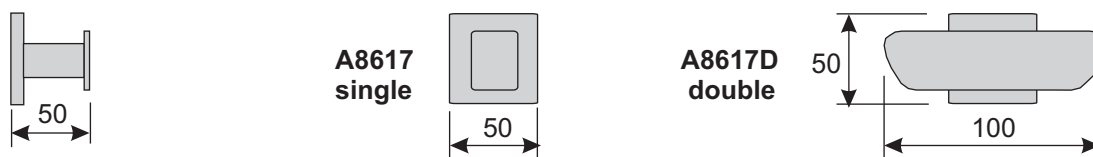
A8607 - Soap Shelf

Manufactured from 0.91mm thick grade 304, satin polished stainless steel with concealed fixings.



Robe Hooks

Manufactured from 0.91mm thick grade 304, satin polished stainless steel with concealed fixings..



Stainless Steel Mirrors

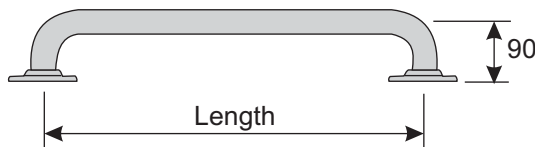
Manufactured from 1.2mm thick grade 304, mirror polished stainless steel with four fixing holes. Please ensure the mirrors are fixed to a flat surface, or distortion will occur. Any size is available on request.

Standard Grab Rails

Manufactured from 35mm diameter, 1.2mm thick, grade 304, bright polished stainless steel tube with 1.5mm thick fixed flanges. Alternative sizes, available on request.

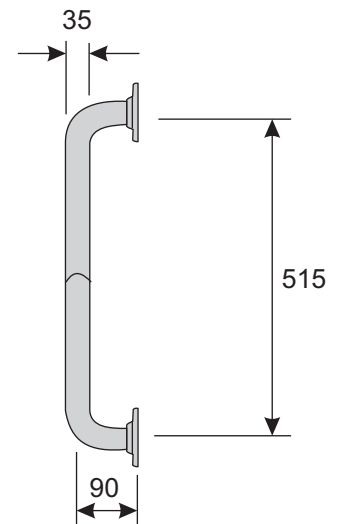
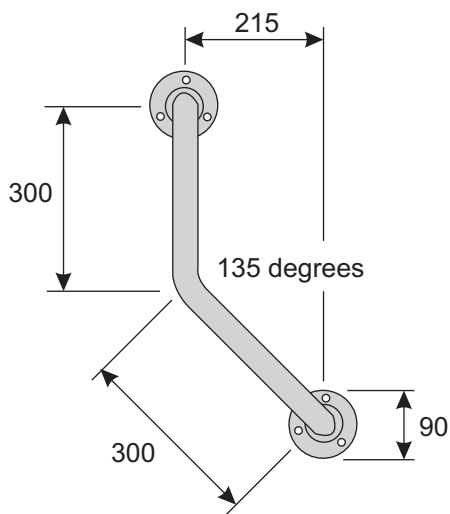


- G8801** - 300mm long
- G8802** - 450mm long
- G8803** - 600mm long
- G8804** - 750mm long
- G8805** - 900mm long



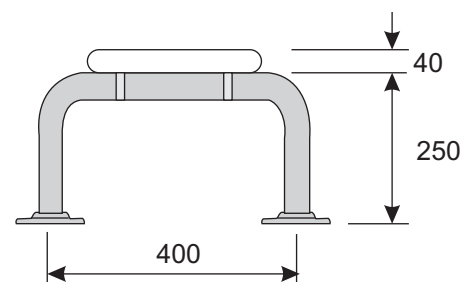
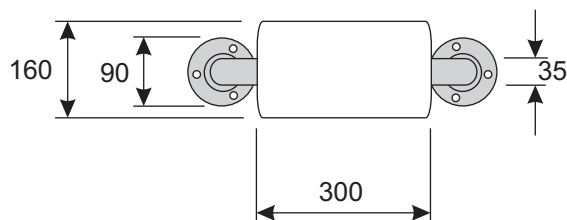
G8806 - Angled Grab Rail

Manufactured from 35mm diameter, 1.2mm thick, grade 304, bright polished stainless steel tube with 2mm thick fixed flanges. Alternative sizes, available on request.



G8808 - Padded Backrest

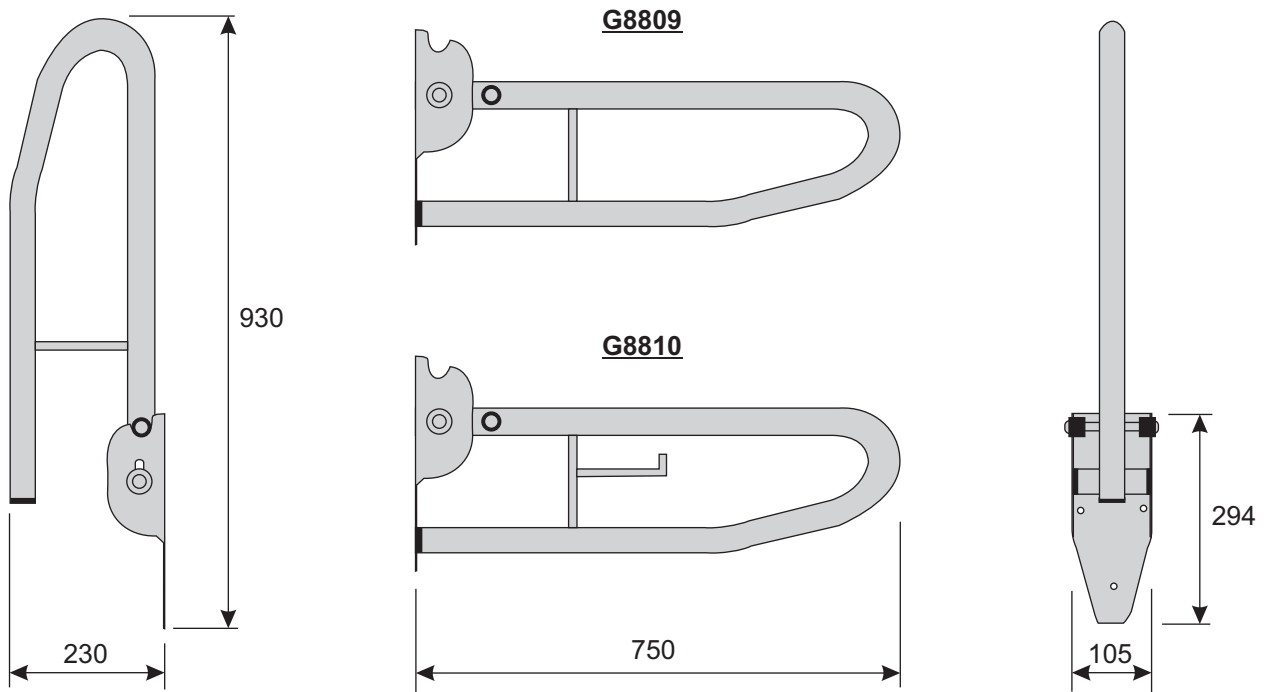
Manufactured from 35mm diameter, 1.2mm thick, grade 304, bright polished stainless steel tube with 1.5mm thick fixed flanges and white plastic upholstered, foam pad.



G8809 - Hingedown Grab Rail

G8810 - Hingedown Grab Rail (with toilet roll holder)

Manufactured from 35mm diameter, 1.2mm thick, grade 304, bright polished stainless steel tube with 2mm thick fixed flanges.



G8811 - Vertical Pole

G8812 - Vertical Pole and Stay

Manufactured from 35mm diameter, 1.2mm thick, grade 304, bright polished stainless steel tube with 1.5mm thick fixed flanges. Alternative sizes, available on request.

