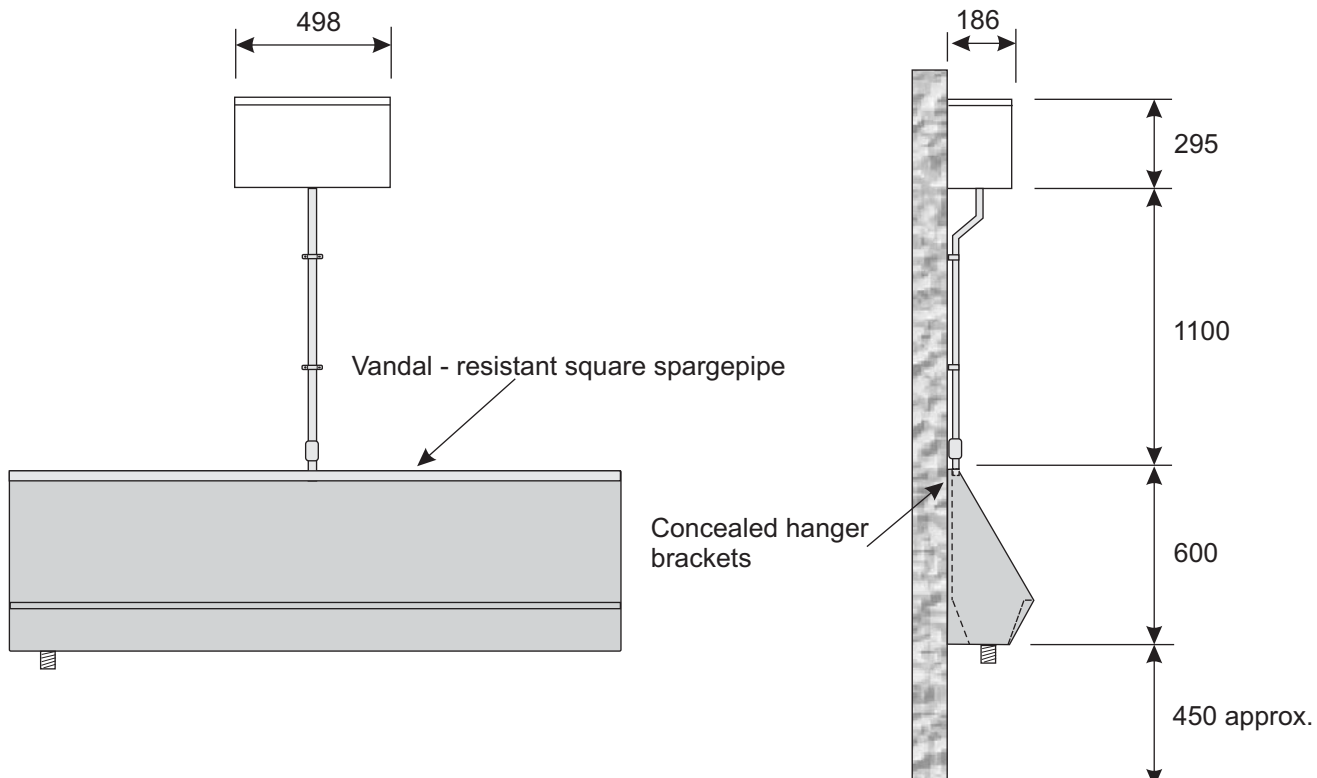
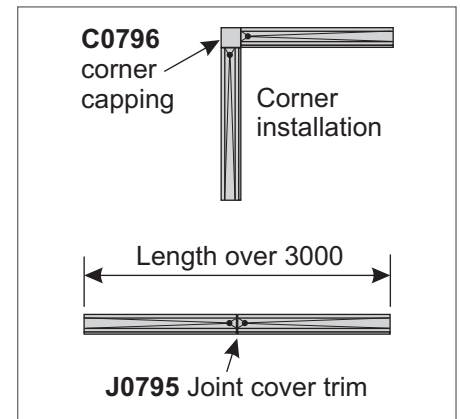
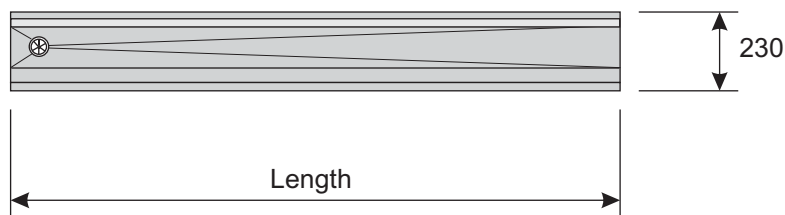


U01 - Wall Mounted Trough Urinal

Manufactured from 1.2mm thick grade 304, satin polished stainless steel, with polished end panels (suitable for wall or exposed installation), 38mm white plastic domed waste outlet (in a left, right or central position), white high impact polystyrene cistern and all necessary pipework, clips and fixings, unless ordered otherwise. Available in any length, up to 3000mm, allowing approximately 600mm per person. For lengths in excess of 3000mm or for corner installations, two or more separate urinals should be used, each with their own waste and cistern.

There are two types of flushing arrangements:

- 1/ Top inlet (TI) square spargepipe with exposed cistern.
- 2/ Back inlet (BI) spreaders with concealed cistern.



Optional Extras

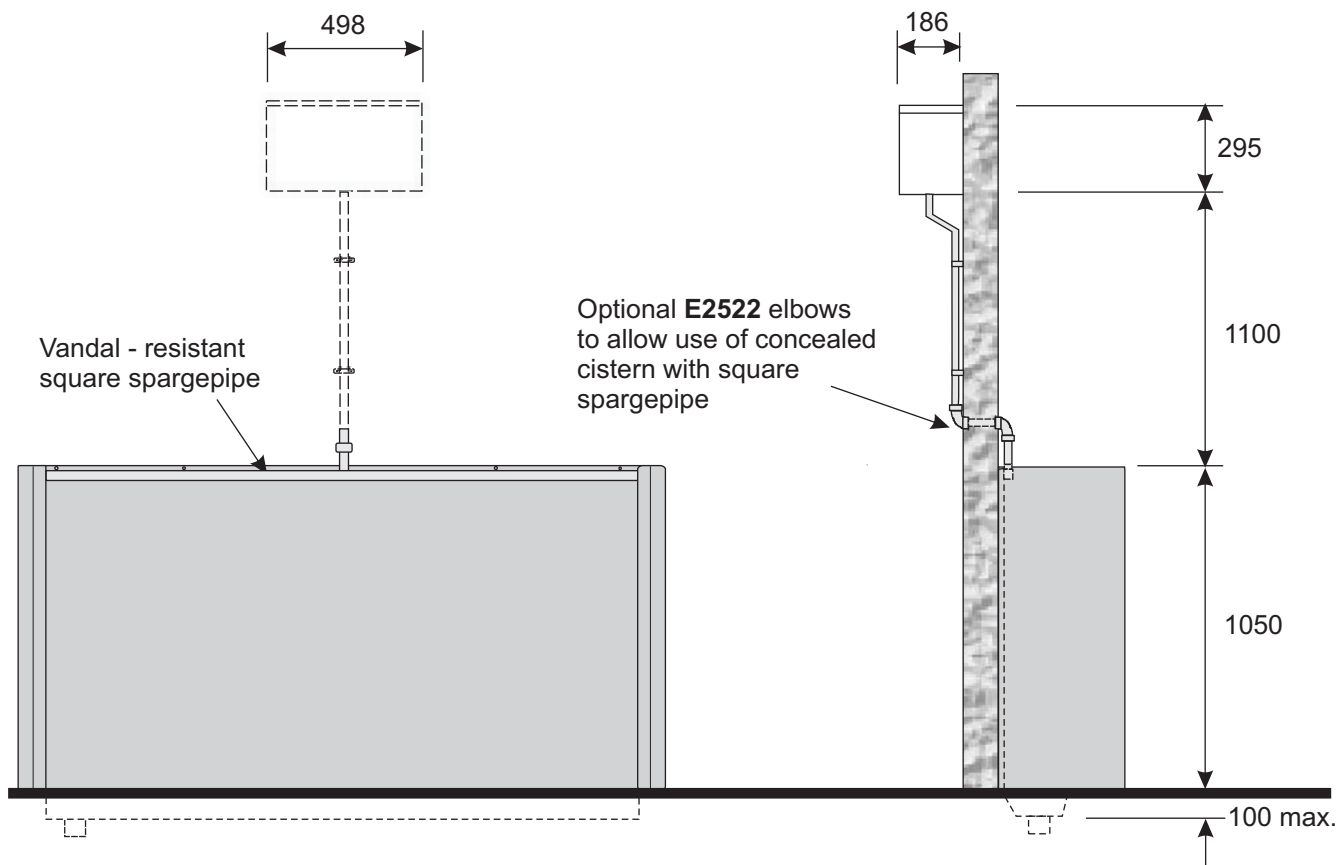
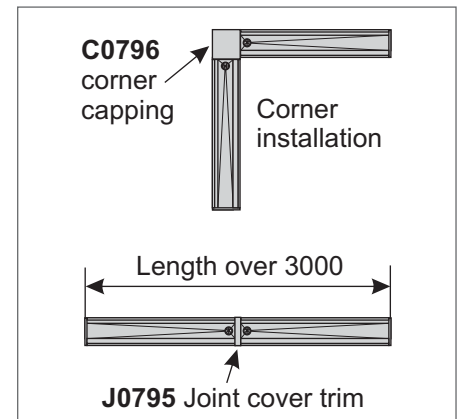
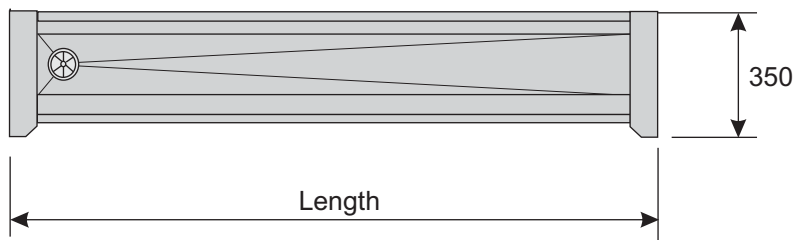
J0795 Joint cover trim
C0796 Corner capping
T0000 Trap Shroud

C0798 Stainless steel automatic cistern
W1201 50mm CP brass domed waste
D0796 Downpipe Shroud

U03 - Floor Recessed Slab Urinal

Manufactured from 1.2mm thick grade 304, satin polished stainless steel, with polished end panels (suitable for wall or exposed installation), 50mm chromium-plated domed waste outlet (in a left, right or central position, white high impact polystyrene cistern and all necessary pipework, clips and fixings, unless ordered otherwise. Available in any length, up to 3000mm, allowing approximately 600mm per person. For lengths in excess of 3000mm or for corner installations, two or more separate urinals should be used, each with their own waste and cistern.

There are two types of flushing arrangements:
 1/ Top inlet (TI) square spargepipe with exposed cistern.
 2/ Back inlet (BI) spreaders with concealed cistern.



Optional Extras

J0795 Joint cover trim
C0796 Corner capping

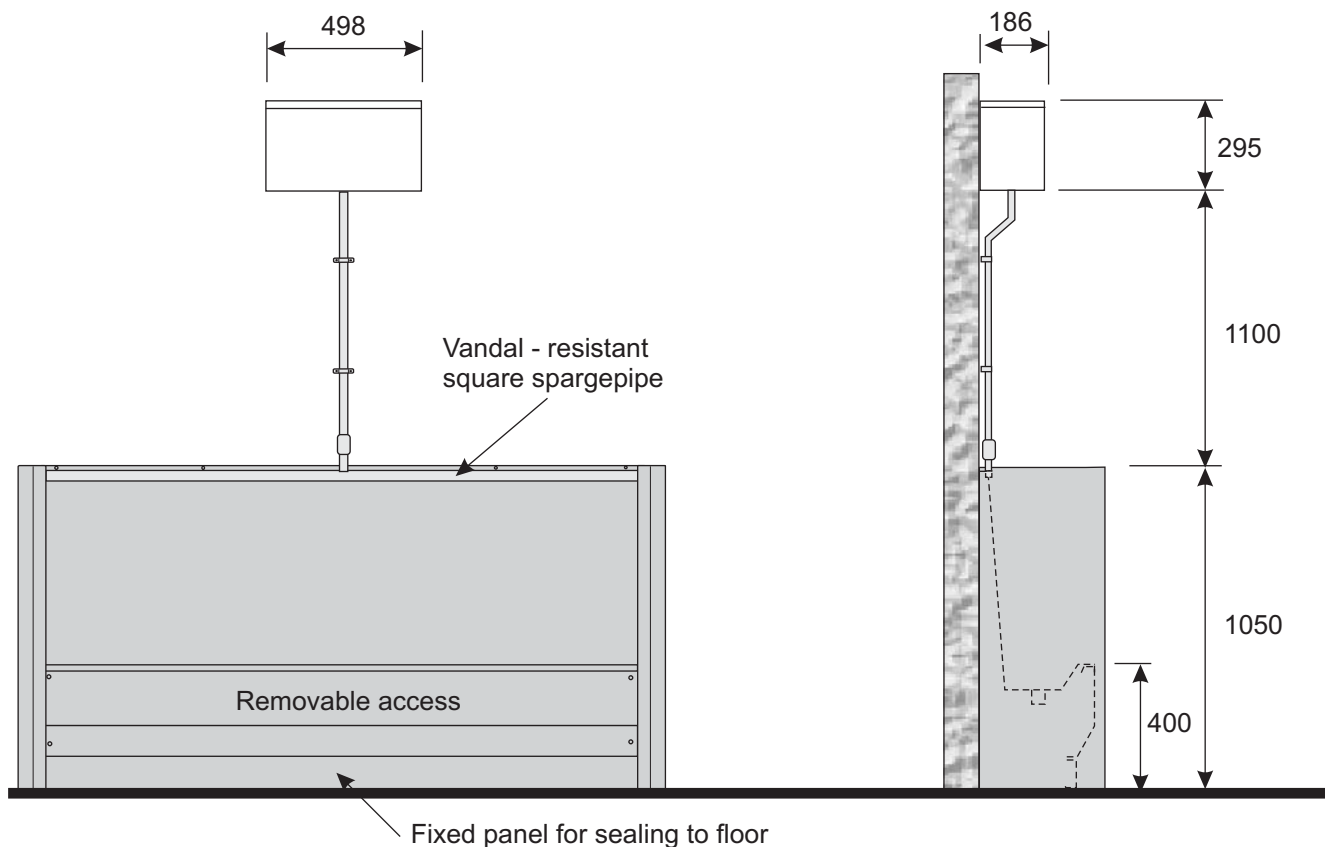
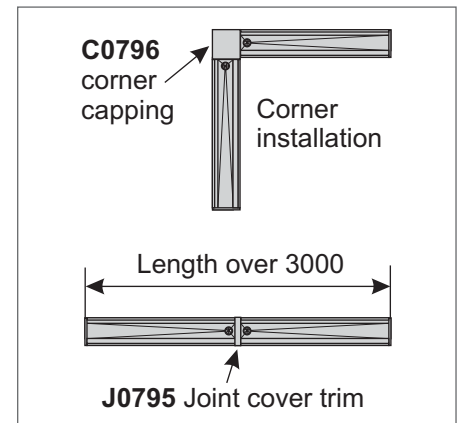
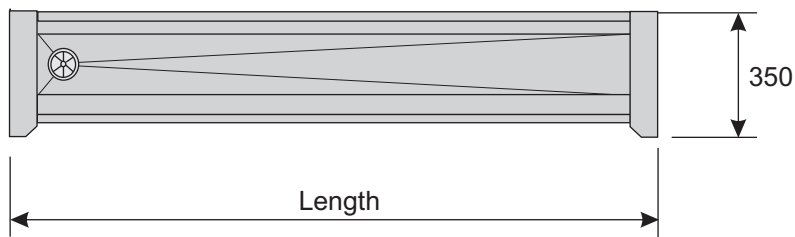
D0796 Downpipe Shroud
C0798 Stainless steel automatic cistern

U04 - Floor Standing Slab Urinal

Manufactured from 1.2mm thick grade 304, satin polished stainless steel, with polished end panels (suitable for wall or exposed installation), 38mm white plastic domed waste outlet (in a left, right or central position), white high impact polystyrene cistern and all necessary pipework, clips and fixings, unless ordered otherwise. Available in any length, up to 3000mm, allowing approximately 600mm per person. For lengths in excess of 3000mm or for corner installations, two or more separate urinals should be used, each with their own waste and cistern.

There are two types of flushing arrangements:

- 1/ Top inlet (TI) square spargepipe with exposed cistern.
- 2/ Back inlet (BI) spreaders with concealed cistern.



Optional Extras

- J0795** Joint cover trim
- C0796** Corner capping
- W1102** 50mm CP brass domed waste

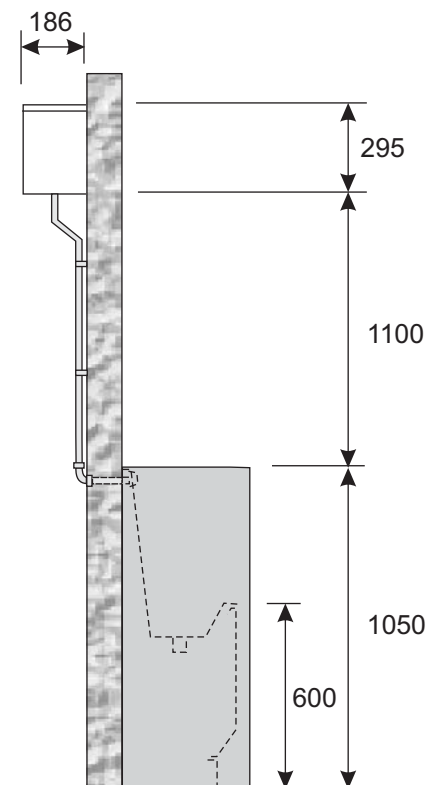
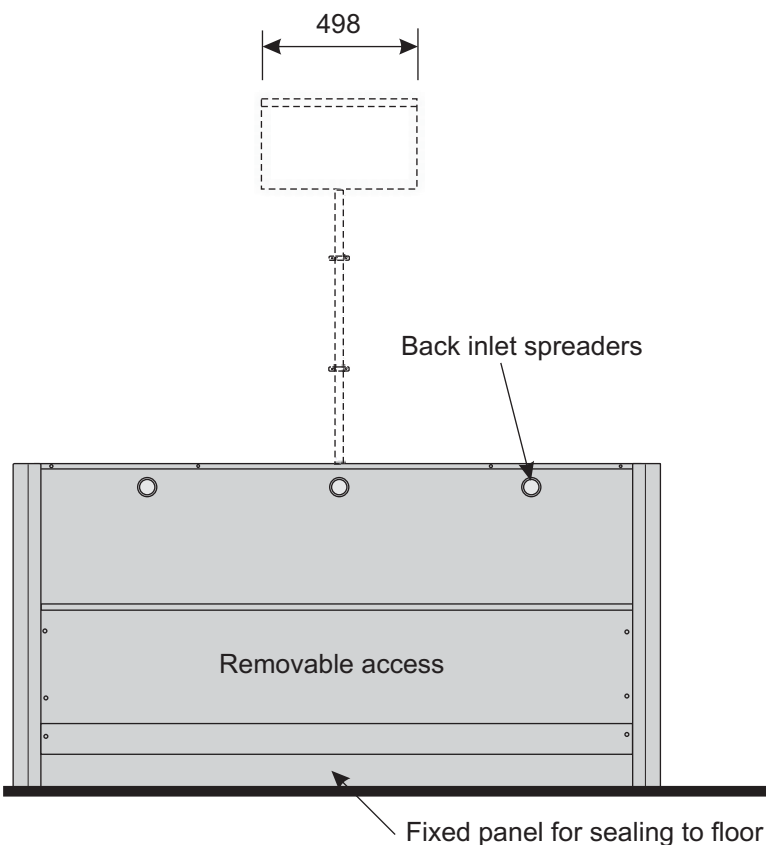
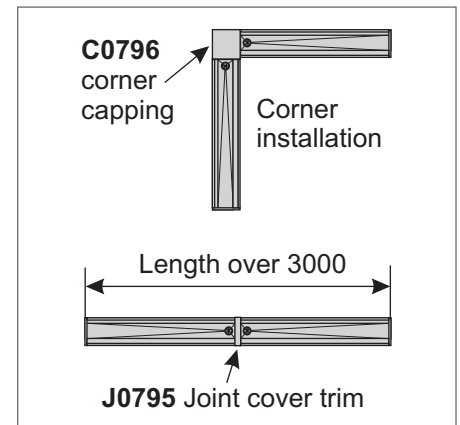
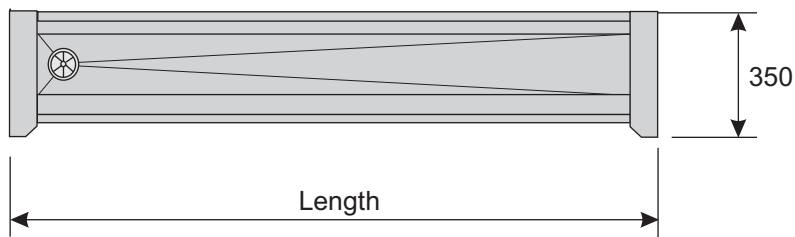
- D0796** Downpipe Shroud
- C0798** Stainless steel automatic cistern

U05 - Floor Standing Trough Urinal

Manufactured from 1.2mm thick grade 304, satin polished stainless steel, with polished end panels (suitable for wall or exposed installation), 38mm white plastic domed waste outlet (in a left, right or central position), white high impact polystyrene cistern and all necessary pipework, clips and fixings, unless ordered otherwise. Available in any length, up to 3000mm, allowing approximately 600mm per person. For lengths in excess of 3000mm or for corner installations, two or more separate urinals should be used, each with their own waste and cistern.

There are two types of flushing arrangements:

- 1/ Top inlet (TI) square spargepipe with exposed cistern.
- 2/ Back inlet (BI) spreaders with concealed cistern.



Optional Extras

- J0795** Joint cover trim
- C0796** Corner capping
- W1102** 50mm CP brass domed waste

- D0796** Downpipe Shroud
- C0798** Stainless steel automatic cistern

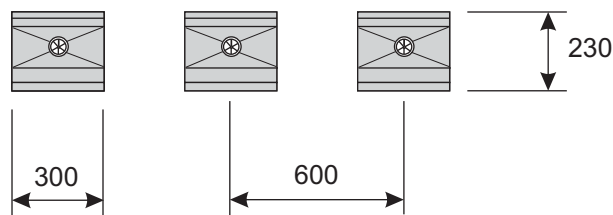
U06 - Bowl Urinal

Manufactured from 1.2mm thick grade 304, satin polished stainless steel, with 38mm white plastic domed waste outlet, white high impact polystyrene cistern and all necessary pipework, clips and fixings.

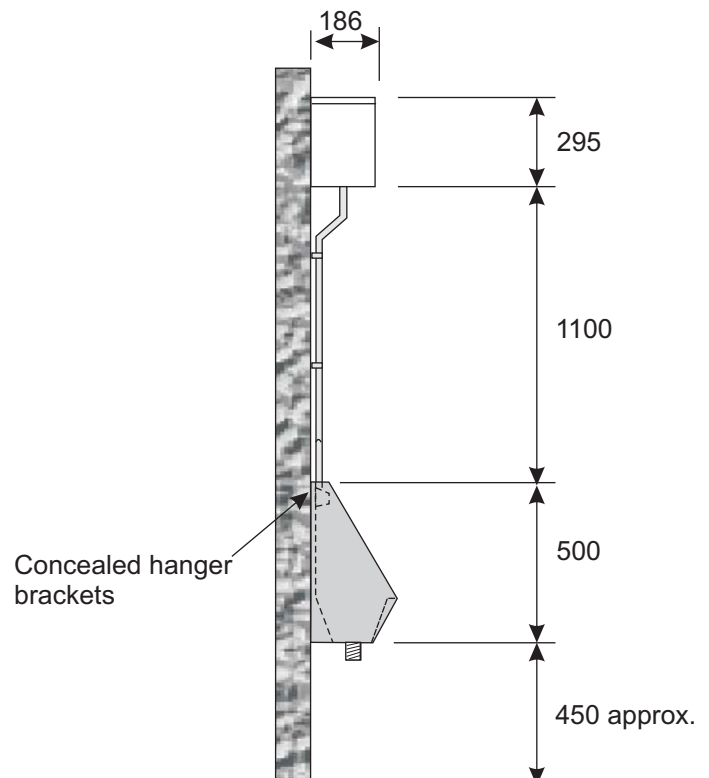
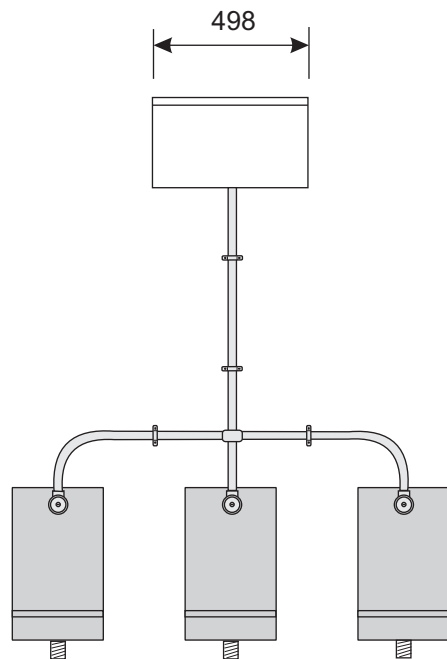
There are two basic types of flushing arrangements:

1/ Top inlet (TI) spreaders - for exposed cistern.

2/ Back inlet (BI) spreaders - for concealed cistern.



- U0601** - Range of one
- U0602** - Range of two
- U0603** - Range of three
- U0604** - Range of four
- U0605** - Range of five
- U0606** - Range of six



Optional Extras

C0798 Stainless steel automatic cistern

T0000 Trap Shroud