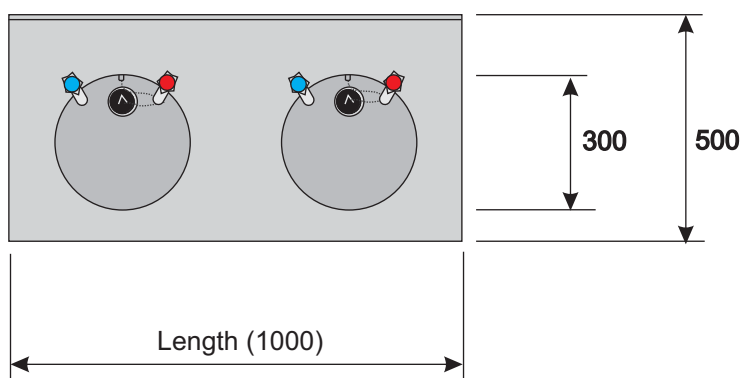


Vanitory Units and Tops

Manufactured from 1.2mm thick grade 304, satin polished stainless steel with 300mm diameter bowls, 32mm combined waste and overflow assembly, tapholes as required, 30mm square tubular, grade 430 stainless steel stand and adjustable feet. Vanitory Units and Tops are made to suit individual needs, and are available in any length, up to 2875mm, allowing approximately 500mm per person.



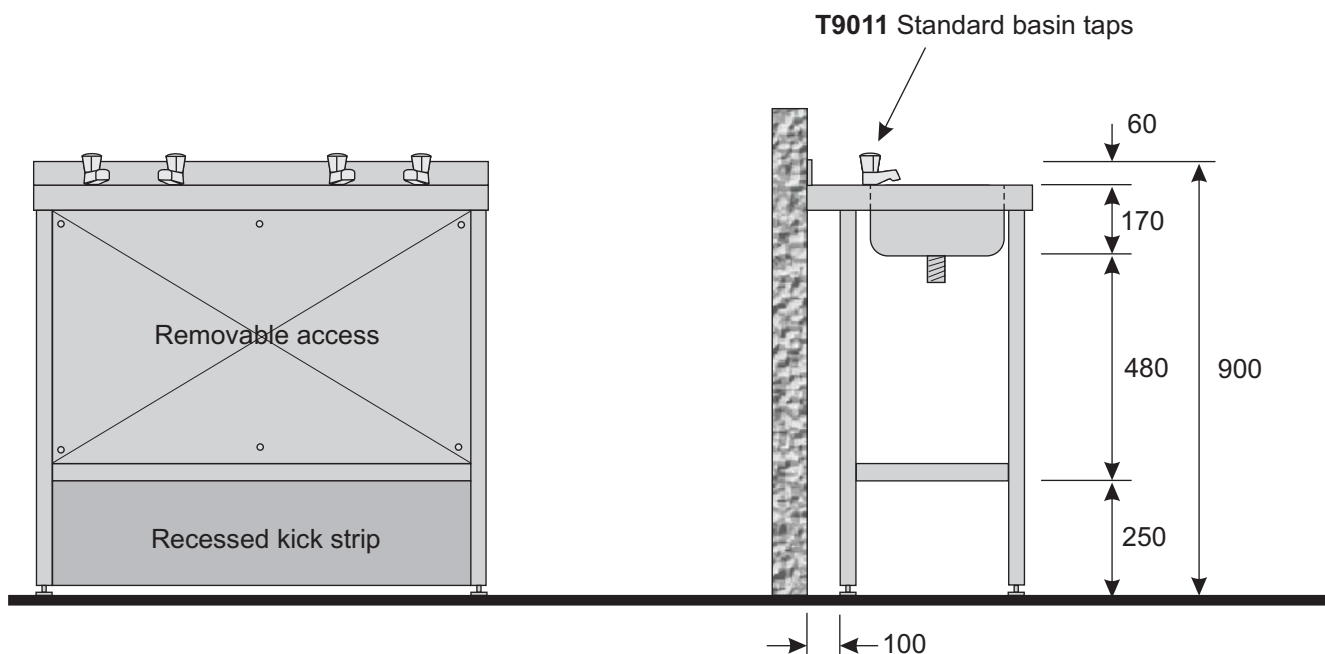
Vanitory Units

- V1291 - with one bowl (500mm wide)
- V1292 - with two bowls (1000mm wide)
- V1293 - with three bowls (1500mm wide)
- V1294 - with four bowls (2000mm wide)
- V1295 - with five bowls (2500mm wide)
- V1296 - with six bowls (2875mm wide)

Vanitory Tops

- V1291T - with one bowl (500mm wide)
- V1292T - with two bowls (1000mm wide)
- V1293T - with three bowls (1500mm wide)
- V1294T - with four bowls (2000mm wide)
- V1295T - with five bowls (2500mm wide)
- V1296T - with six bowls (2875mm wide)

V1292 - Vanitory Unit



Optional Extras

- L1799 Stainless steel leg supports (for top only)
- T8901 Cross head BS5412 basin taps
- T9011 Standard BS5412 basin taps
- T9101 Non-concussive basin taps

- T9102 Non-concussive lever basin taps
- T9201 Quarter turn 75mm lever basin taps
- T9211 Quarter turn 150mm lever basin taps