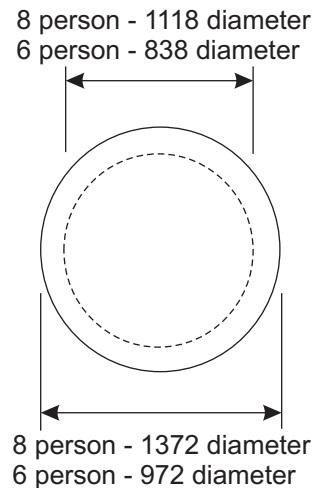
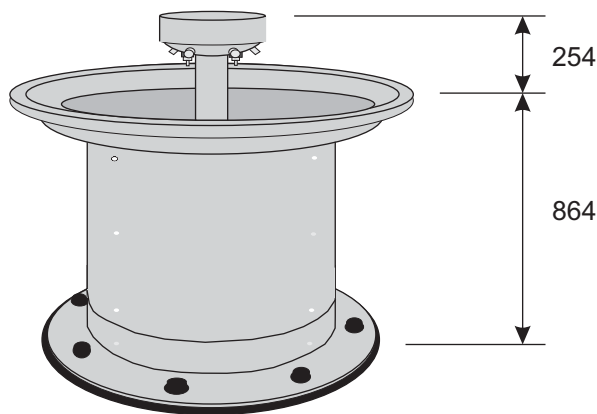


W1701 - Foot-operated Washfountain (8 person)

W1702 - Foot-operated Washfountain (6 person)

Manufactured from 1.2/1.5mm thick grade 304, satin polished stainless steel and supplied fully assembled with a liquid soap dispenser built into the spray head assembly. The individual foot operated valves activate water as long as the push button is depressed. The waste connection is via a 38mm plain spigot and the connections to the thermostatic mixing valve (with combined isolating and strainer valves) is via 1/2" BSP female threads. Hot and cold water supply pipes should be a minimum of 28mm diameter reducing in size within the pedestal for connection to the 1/2" BSP connections. Water pressure needs to be a minimum of 1.5bar (22 psi), but should not exceed 7 bar (101 psi), otherwise a pressure reducing valve should be used. When the pressure is below 1.5 bar, we suggest using a twin impellor pump (minimum 2 bar).



W1703 - Hand-operated Washfountain (8 person)

W1704 - Hand-operated Washfountain (6 person)

W1705 - Sensor-operated Washfountain (8 person)

W1706 - Sensor-operated Washfountain (6 person)

Manufactured from 1.2/1.5mm thick grade 304, satin polished stainless steel and supplied fully assembled with a liquid soap dispenser built into the spray head assembly. The individual hand or sensor operated valves activate water for between 5 and 60 seconds (subject to adjustment). The waste connection is via a 38mm plain spigot and the connections to the thermostatic mixing valve (with combined isolating and strainer valves) is via 1/2" BSP female threads. Hot and cold water supply pipes should be a minimum of 28mm diameter reducing in size within the pedestal for connection to the 1/2" BSP connections. Water pressure needs to be a minimum of 1.5bar (22psi), but should not exceed 7 bar (101psi), otherwise a pressure reducing valve should be used. When the pressure is less than 1.5 bar, we suggest using a twin impellor pump (minimum 2 bar).

