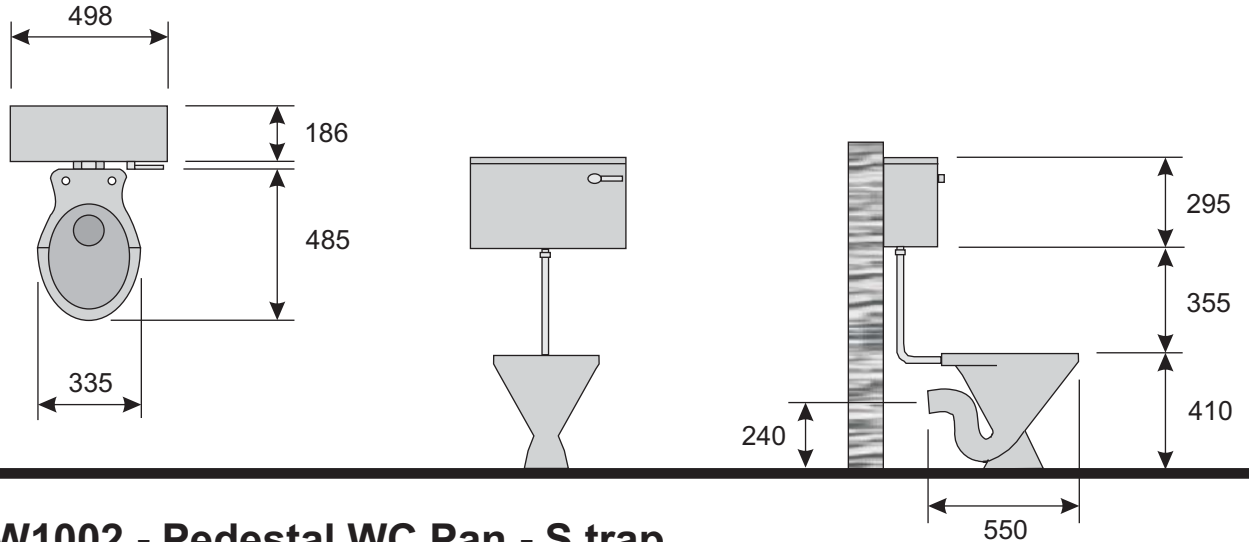


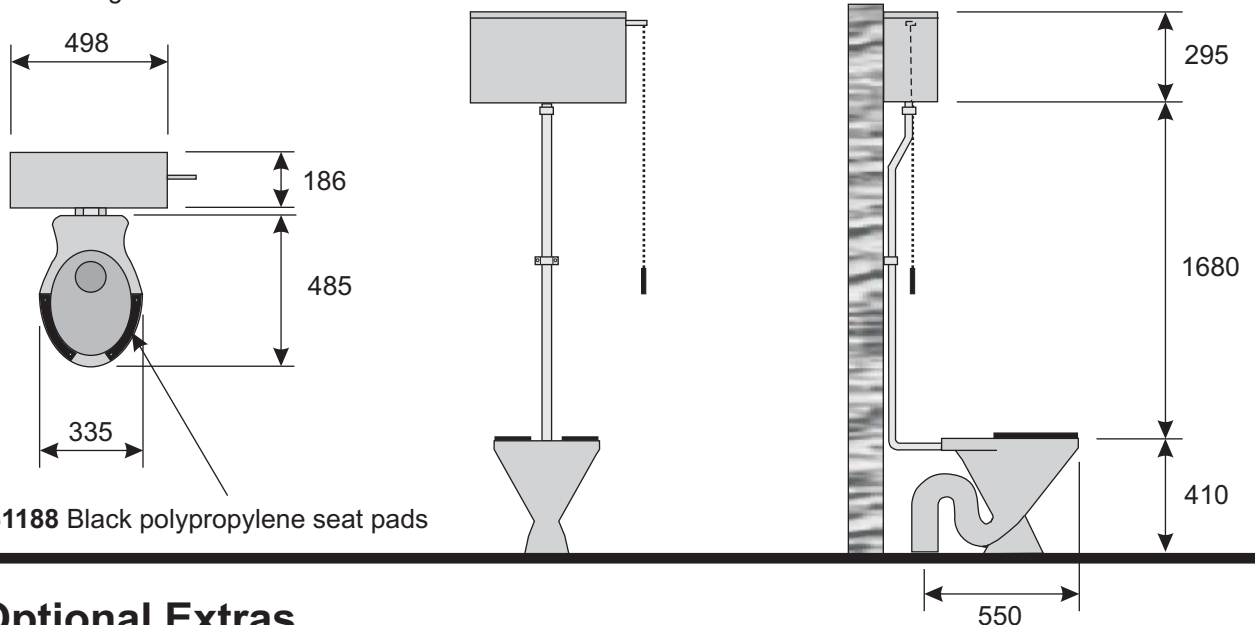
W1001 - Pedestal WC Pan - P trap C1195 - Low level cistern

The WC pan is manufactured from 1.6 and 2mm thick grade 304, satin polished stainless steel, with security flushing rim, 76/102mm diameter plastic pan connector and 38mm diameter flushpipe connection. The cistern and flushpipe (405x254mm) are manufactured from 1.2mm grade 304, satin polished stainless steel, with 7 litre plastic fittings.



W1002 - Pedestal WC Pan - S trap C1196 - High level cistern

The WC pan is manufactured from 1.6 and 2mm thick grade 304, satin polished stainless steel, with security flushing rim, 76/102mm diameter plastic pan connector and 38mm diameter flushpipe connection. The cistern and flushpipe (1680x254mm) are manufactured from 1.2mm grade 304, satin polished stainless steel, with 7 litre plastic fittings.



S1188 Black polypropylene seat pads

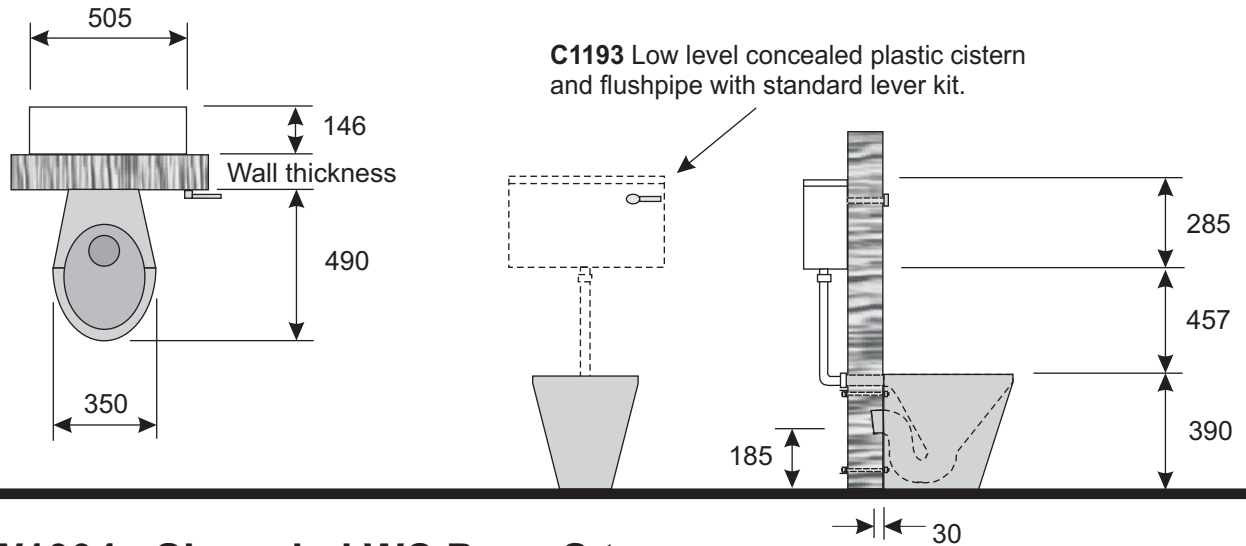
Optional Extras

W1099 Black plastic seat and cover
S1187 Stainless steel WC seat hinges
D0100 Disabled plinth - 50mm high

S1188 Black polypropylene seat pads
C1197 Disabled cistern lever
W103 Stainless steel clad WC Cubicles

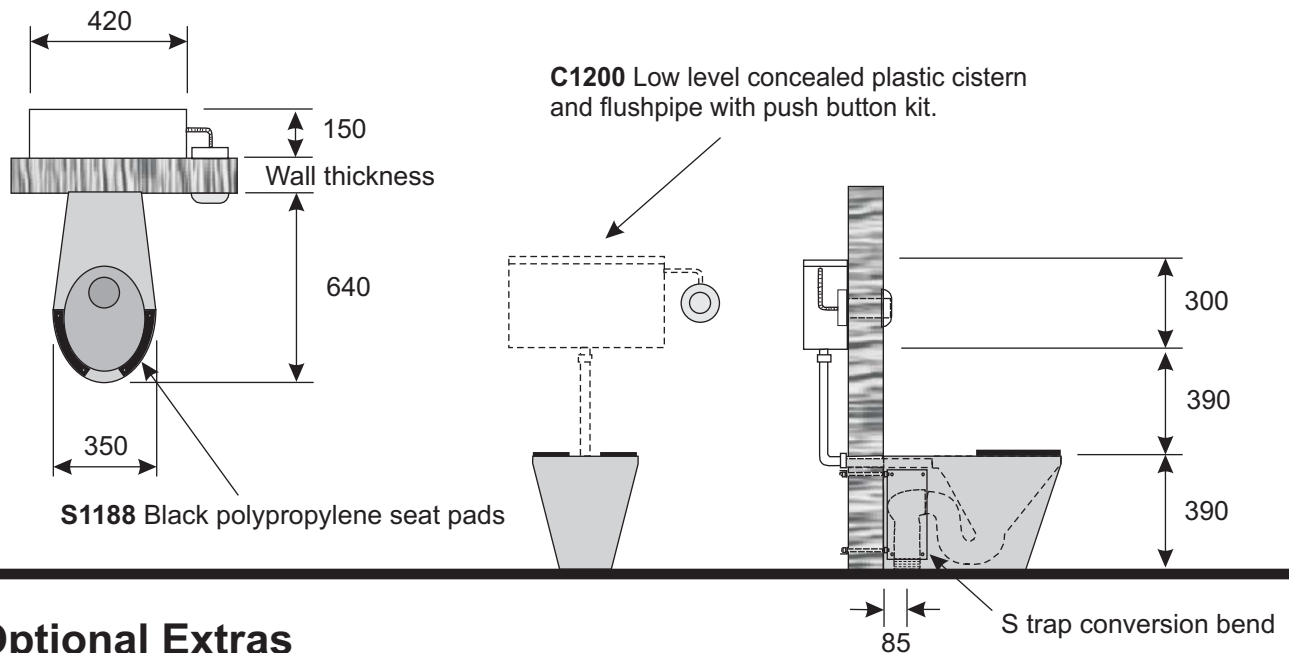
W1003 - Shrouded WC Pan - P trap

Manufactured from 1.6 and 2mm thick grade 304, satin polished stainless steel, with security flushing rim, 76/102mm diameter plastic pan connector, 38mm diameter flushpipe connection and four M8 fixing bolts & angles.



W1004 - Shrouded WC Pan - S trap

Manufactured from 1.6 and 2mm thick grade 304, satin polished stainless steel, with security flushing rim, 76/102mm diameter plastic pan connector, 38mm diameter flushpipe connection and four M8 fixing bolts & angles.

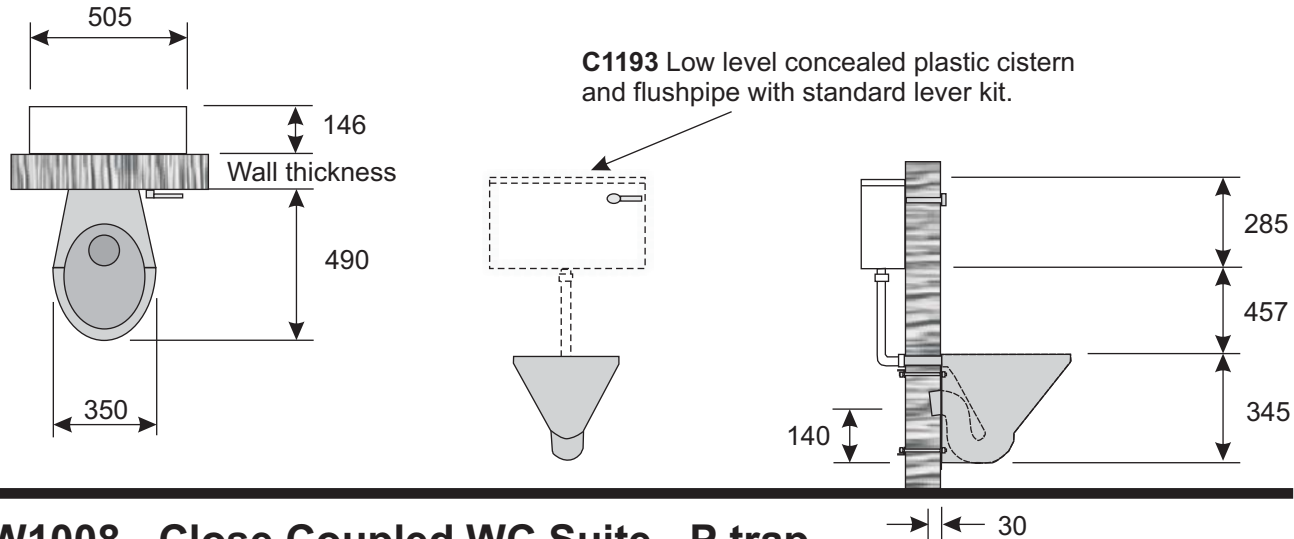


Optional Extras

- | | | | |
|--------------|--|--------------|---|
| S1188 | Black polypropylene seat pads | C1193 | Low level concealed plastic cistern and flushpipe with standard lever kit. Please specify wall thickness |
| W1099 | Black plastic seat and cover | C1200 | Low level concealed plastic cistern and flushpipe with pneumatic push button kit. Please specify wall thickness |
| S1187 | Stainless steel WC seat hinges | W103 | Stainless steel clad WC Cubicles |
| R1186 | Rear extension box (to allow conversion of P trap pan into S trap using plastic conversion bend) | | |
| F1192 | Floor or wall fixing flanges | | |

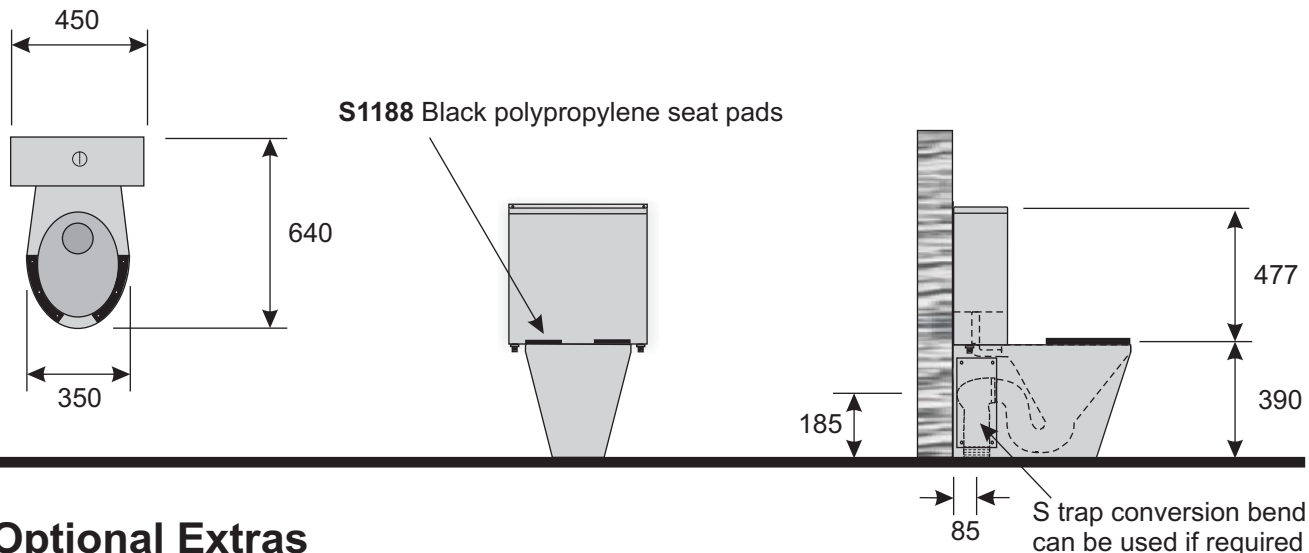
W1005 - Wall Mounted WC Pan - P trap

Manufactured from 1.6 and 2mm thick grade 304, satin polished stainless steel, with security flushing rim, 76/102mm diameter plastic pan connector, 38mm diameter flushpipe connection, loose backplate and four M8 fixing bolts & angles.



W1008 - Close Coupled WC Suite - P trap

The pan is manufactured from 1.6 and 2mm thick grade 304, satin polished stainless steel, with security flushing rim, 76/102mm diameter plastic pan connector, 38mm diameter flushpipe connection and four M8 fixing bolts & angles. The cistern is manufactured from 1.2 mm thick grade 304, satin polished stainless steel and is fitted with a recessed push button dual flush and bottom connections for the supply and overflow (unless specified otherwise).



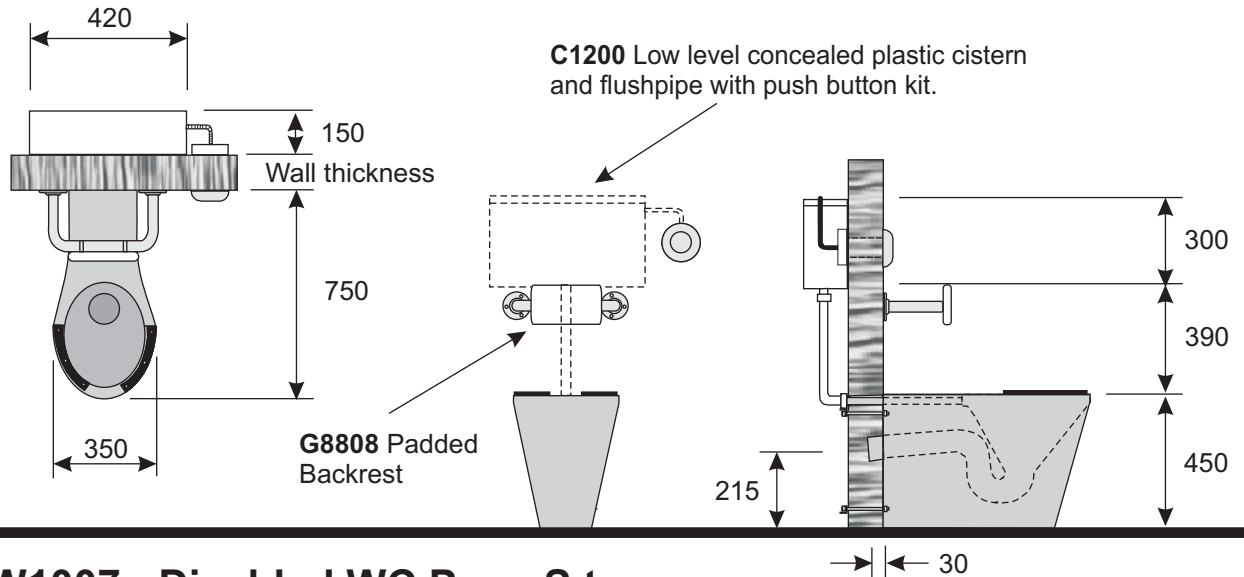
Optional Extras

- S1188** Black polypropylene seat pads
- W1099** Black plastic seat and cover
- S1187** Stainless steel WC seat hinges
- C1193** Low level concealed plastic cistern and flushpipe with standard lever kit. Please specify wall thickness

- C1200** Low level concealed plastic cistern and flushpipe with pneumatic push button kit. Please specify wall thickness.
- W103** Stainless steel clad WC Cubicles

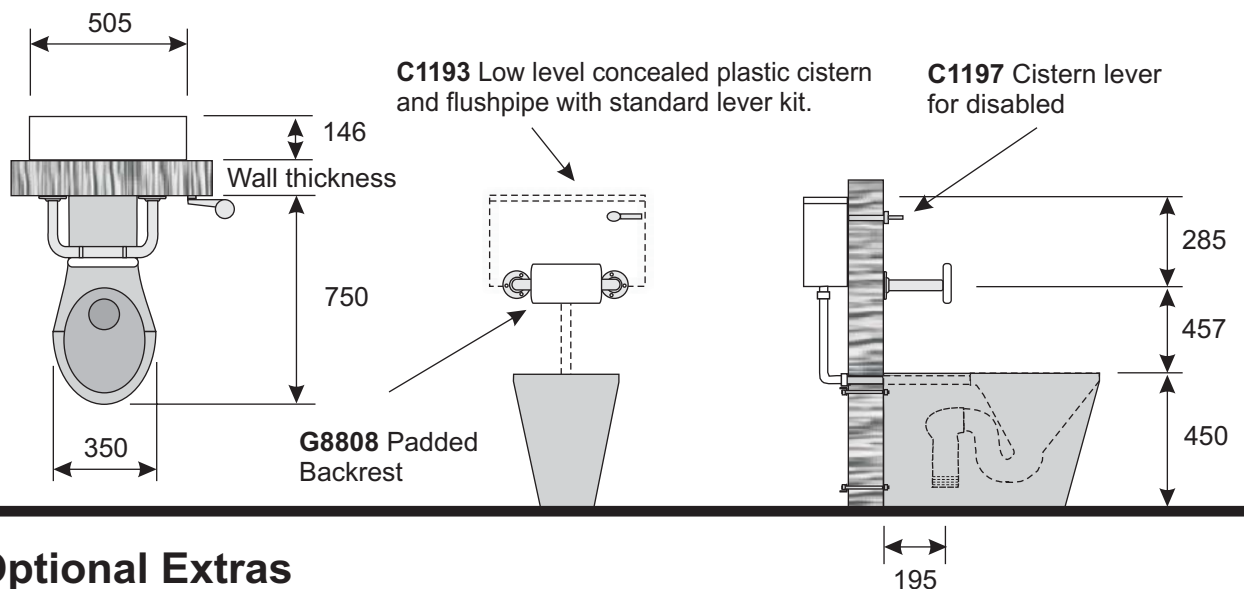
W1006 - Disabled WC Pan - P trap

Manufactured from 1.6 and 2mm thick grade 304, satin polished stainless steel, with security flushing rim, 76/102mm diameter plastic pan connector, 38mm diameter flushpipe connection and four M8 fixing bolts & angles.



W1007 - Disabled WC Pan - S trap

Manufactured from 1.6 and 2mm thick grade 304, satin polished stainless steel, with security flushing rim, 76/102mm diameter plastic pan connector, 38mm diameter flushpipe connection and four M8 fixing bolts & angles.

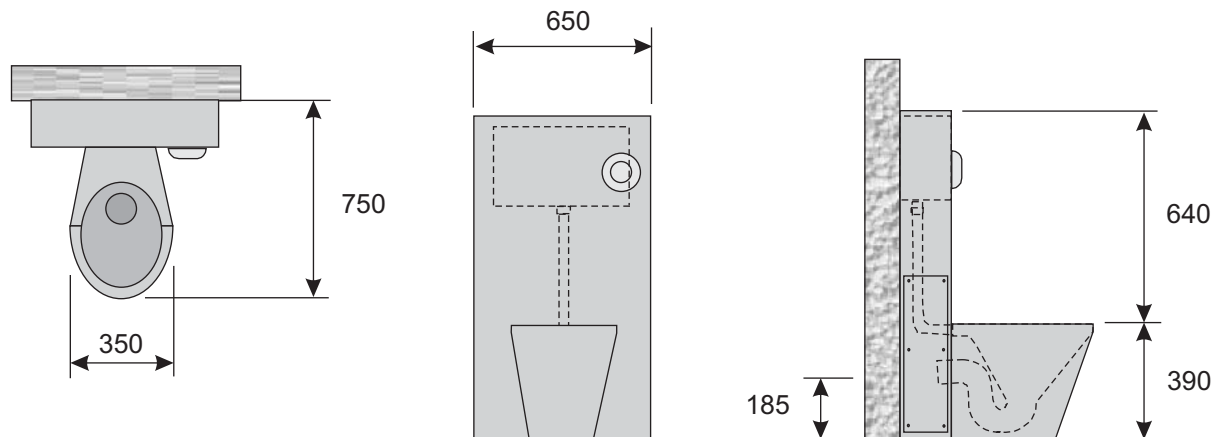


Optional Extras

- | | |
|---|--|
| S1188 Black polypropylene seat pads | C1193 Low level concealed plastic cistern and flushpipe with standard lever kit. Please specify wall thickness |
| W1099 Black plastic seat and cover | C1200 Low level concealed plastic cistern and flushpipe with pneumatic push button kit. Please specify wall thickness |
| S1187 Stainless steel WC seat hinges | C1197 Cistern lever for disabled |
| F1192 Floor and/or wall fixing flanges | |
| C1193 Low level concealed plastic cistern and flushpipe with standard lever kit. Please specify wall thickness | |

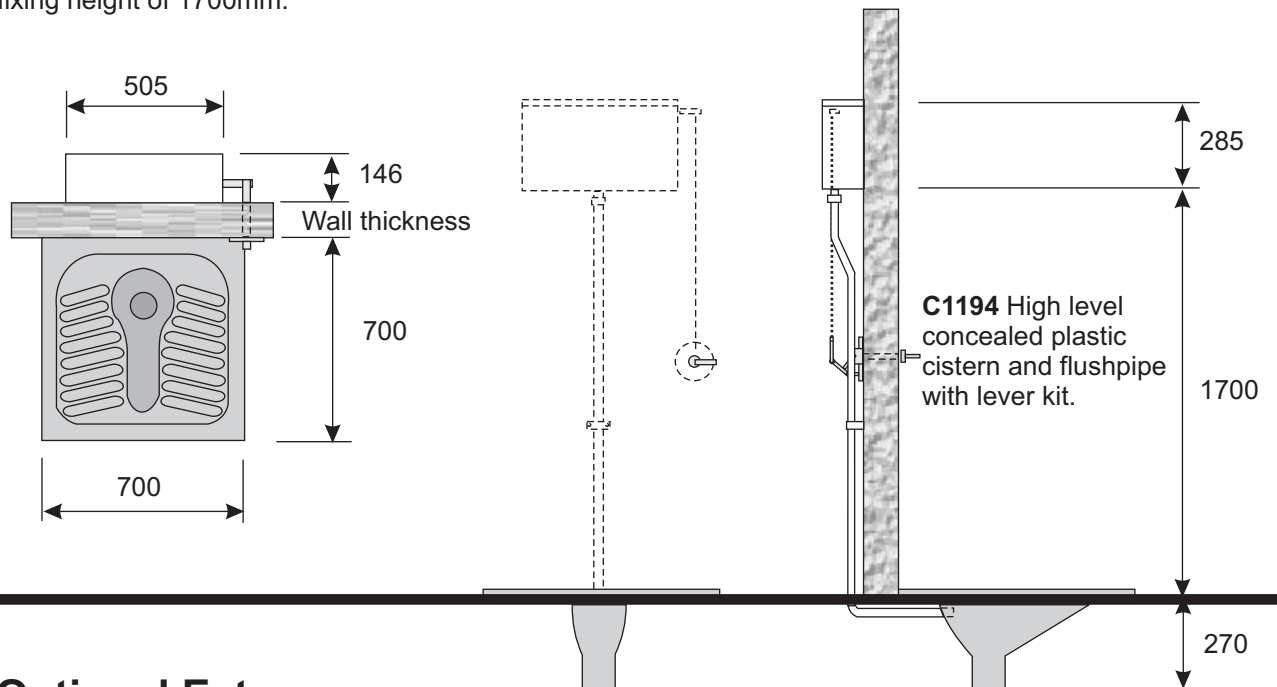
W1010 - Rear Panelled WC Suite - P trap

The pan is manufactured from 1.6 and 2mm thick grade 304, satin polished stainless steel, with security flushing rim and 76/102mm diameter plastic pan connector (or an S trap plastic conversion bend can be supplied on request) The rear panel is manufactured from 1.2mm thick, satin polished stainless steel and includes a 7.5 litre dual flush cistern and has removable access panels for fixing and making the plumbing connections.



W1011 - Squatting WC Pan - spigot outlet

Manufactured from 1.6mm thick grade 304, satin polished stainless steel, with 38mm back inlet flushing spreader and 110mm diameter spigot drainage outlet. A high level cistern must be used, at the recommended fixing height of 1700mm.



Optional Extras

- S1188** Black polypropylene seat pads
- W1099** Black plastic seat and cover
- S1187** Stainless steel WC seat hinges
- F1192** Floor and/or wall flanges
- W103** Stainless steel clad WC Cubicles

- C1194** High level concealed plastic cistern and flushpipe with standard lever kit. Please specify wall thickness
- C1200** Low level concealed plastic cistern and flushpipe with pneumatic push button kit. Please specify wall thickness